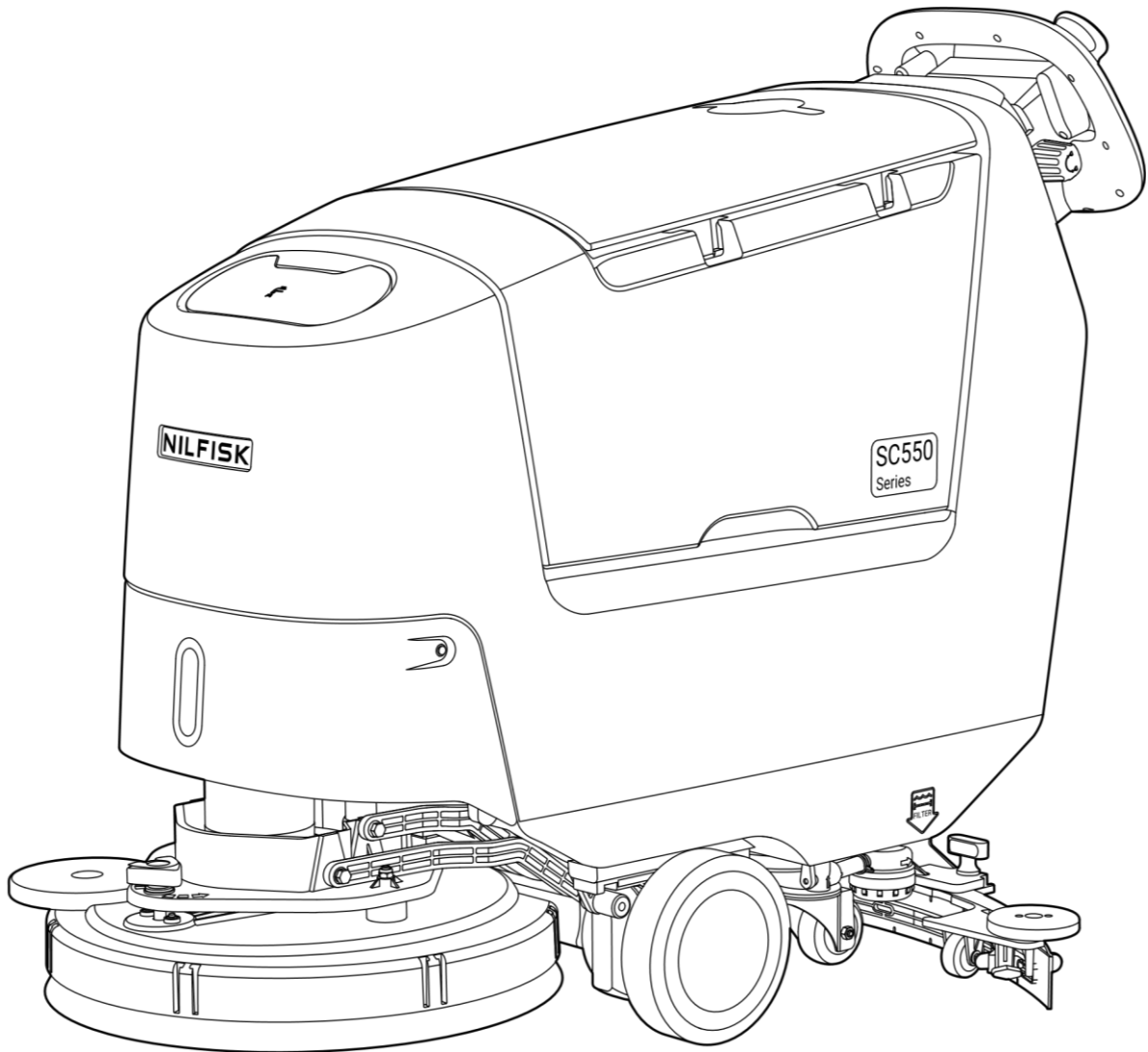


INSTRUCTIONS FOR USE

SC550 Series



55944900 (09.2024)

Models No.:
50000670, 50000671, 50000672, 50000673



NILFISK



FCC Supplier's Declaration of Conformity

47 CFR § 2.1077 Compliance Information

Unique Identifier: FC - Floor Scrubber/Sweeper - Battery

Type: SC550

Responsible Party – U.S. Contact Information:

Nilfisk, Inc
9435 Winnetka Ave N
Brooklyn Park
Minnesota
MN-55442
USA

www.nilfisk.com

FCC Compliance Statement

This device complies with part 15 of the FCC rules. Operation is subject to the following two conditions: (1) This device may not cause harmful interference, and (2) this device must accept any interference received, including interference that may cause undesired operation. Users are not permitted to make changes or modify the device in any way. Changes or modifications not expressly approved by Nilfisk, Inc. will void the users authority to operate the equipment.

Brooklyn Park
Aug 1, 2024

A handwritten signature in black ink that reads 'Jamie O'Neill'. The signature is written in a cursive style with a large, looped 'J' and 'N'.

Jamie O'Neill
Senior Vice President, USFC Sales, EMEA Americas Sales

NILFISK

IC Supplier's Declaration of Conformity

ICES-Gen

Unique Identifier: FC - Floor Scrubber/Sweeper - Battery

Type: SC550

Responsible Party – Contact Information:

Nilfisk Canada Company
240 Superior Boulevard
Mississauga
Ontario
L5T 2L2
Canada

www.nilfisk.com

IC Compliance Statement

This device complies with Industry Canada ICES-003. Operation is subject to the following two conditions:
(1) This device may not cause harmful interference, and (2) this device must accept any interference received, including interference that may cause undesired operation.

Mississauga
Aug 1, 2024



Steven Surtel
General Manager

TABLE OF CONTENTS

INTRODUCTION	2
MANUAL PURPOSE AND CONTENTS.....	2
TARGET.....	2
HOW TO KEEP THIS MANUAL.....	2
DECLARATION OF CONFORMITY.....	2
IDENTIFICATION DATA.....	2
OTHER REFERENCE MANUALS.....	2
SPARE PARTS AND MAINTENANCE.....	2
CHANGES AND IMPROVEMENTS.....	2
OPERATION CAPABILITIES.....	2
CONVENTIONS.....	3
UNPACKING/DELIVERY	3
SAFETY	3
VISIBLE SYMBOLS ON THE MACHINE.....	3
SYMBOLS THAT APPEAR ON THIS MANUAL.....	4
GENERAL INSTRUCTIONS.....	4
MACHINE DESCRIPTION	7
MACHINE STRUCTURE.....	7
CONTROL PANEL.....	9
ACCESSORIES/OPTIONS.....	9
TECHNICAL DATA	10
WIRING DIAGRAM.....	11
USE/OPERATION	14
NEW USER CREATION AND LOGIN INTERFACE.....	14
BATTERY CHECK/SETTING ON A NEW MACHINE.....	14
BATTERY INSTALLATION.....	15
BEFORE MACHINE START-UP.....	16
MACHINE START AND STOP.....	18
MACHINE OPERATION (SCRUBBING/DRYING).....	19
TANK EMPTYING.....	21
AFTER USING THE MACHINE.....	21
MACHINE LONG INACTIVITY.....	21
MAINTENANCE	22
SCHEDULED MAINTENANCE TABLE.....	22
BATTERY CHARGING.....	23
MENU INTERFACE FOR DIFFERENT USERS.....	24
SQUEEGEE CLEANING.....	26
SQUEEGEE BLADE CHECK AND REPLACEMENT.....	26
CLEANING THE BRUSH.....	27
RECOVERY TANK CLEANING.....	27
SOLUTION FILTER CLEANING.....	28
DEBRIS HOPPER CLEAN (FOR CYLINDRICAL DECK ONLY).....	28
MACHINE TRACKING ADJUSTMENT.....	28
DETERGENT TANK CLEANING.....	29
DRAINING THE ECOFLEX SYSTEM.....	30
FUSE CHECK/REPLACEMENT.....	30
TROUBLESHOOTING	31
SCRAPPING	32

INTRODUCTION



The numbers in brackets refer to the components shown in Machine Description chapter.

MANUAL PURPOSE AND CONTENTS

The purpose of this Manual is to provide the operator with all necessary information to use the machine properly, in a safe and autonomous way. It contains information about technical data, safety, operation, storage, maintenance, spare parts and disposal. Before performing any procedure on the machine, the operators and qualified technicians must read this Manual carefully. Contact Nilfisk in case of doubts concerning the interpretation of the instructions and for any further information.

TARGET

This Manual is intended for operators and technicians qualified to perform the machine maintenance. The operators must not perform procedures reserved for qualified technicians. Nilfisk will not be answerable for damages coming from the non-observance of this prohibition.

HOW TO KEEP THIS MANUAL

The Instructions for Use Manual must be kept near the machine, inside an adequate case, away from liquids and other substances that can cause damage to it.

DECLARATION OF CONFORMITY

The Declaration of Conformity, supplied with the machine, certifies the machine conformity with the law in force.



NOTE

Two copies of the original declaration of conformity are provided together with the machine documentation.

IDENTIFICATION DATA

The machine serial number and model name are marked on the plate (14). Year of production (Date code: A17 means January 2017) and model number are marked on the same plate. This information is useful when requiring machine spare parts. Use the following table to write down the machine identification data.

Model
Model number
Serial number

OTHER REFERENCE MANUALS

- Electronic battery charger Manual, to be considered as integral part of this manual.
- Spare Parts List (supplied with the machine)
- Service Manual (that can be consulted at Nilfisk Service Centers)

SPARE PARTS AND MAINTENANCE

All necessary operating, maintenance and repair procedures must be performed by qualified personnel or by Nilfisk Service Centers. Only original spare parts and accessories must be used. Contact Nilfisk for service or to order spare parts and accessories, specifying the model name, model number and serial number.

CHANGES AND IMPROVEMENTS

Nilfisk constantly improves its products and reserves the right to make changes and improvements at its discretion without being obliged to apply such benefits to the machines that were previously sold. Any change and/or addition of accessory must be approved and performed by Nilfisk.

OPERATION CAPABILITIES

The SC550 scrubber-dryer is used to clean (scrubbing and drying) smooth and solid floors, in commercial or industrial environment, under safe operation conditions by a qualified operator. The scrubber-dryer cannot be used for fitted carpet and carpet cleaning.

CONVENTIONS

Forward, backward, front, rear, left or right are intended with reference to the operator's position, that is to say in driving position with the hands on the handlebar (15).

UNPACKING/DELIVERY

To unpack the machine, carefully follow the instructions on the packing.

When the machine is delivered, check that the packing and the machine were not damaged during transportation.

In case of visible damages, keep the packing and have it checked by the carrier that delivered it. Call the carrier immediately to fill in a damage claim.

Please check that the following items have been supplied with the machine:

Technical documents:

- Scrubber-dryer Instructions for Use Manual and Spare Parts List
(You can also scan the QR code on the right to obtain it.)
- Electronic battery charger manual (if installed)



WARNING!

The Products sold with this Manual contain or may contain chemicals that are known to certain governments (such as the State of California, as identified in its Proposition 65 Regulatory Warning Law) to cause cancer, birth defects or other reproductive harm. In certain locations (including the State of California) purchasers of these Products that place them in service at an employment job site or a publicly accessible space are required by regulation to make certain notices, warnings or disclosures regarding the chemicals that are or may be contained in the Products at or about such work sites. It is the purchaser's responsibility to know the content of, and to comply with, any laws and regulations relating to the use of these Products in such environments. The Manufacturer disclaims any responsibility to advise purchasers of any specific requirements that may be applicable to the use of the Products in such environments.

SAFETY

The following symbols indicate potentially dangerous situations. Always read this information carefully and take all necessary precautions to safeguard people and property.

The operator's cooperation is essential in order to prevent injury. No accident prevention program is effective without the total cooperation of the person responsible for the machine operation. Most of the accidents that may occur in a factory, while working or moving around, are caused by failure to comply with the simplest rules for exercising prudence. A careful and prudent operator is the best guarantee against accidents and is essential for successful completion of any prevention program.

VISIBLE SYMBOLS ON THE MACHINE



WARNING!

Read all the instructions carefully before performing any operation on the machine.



WARNING!

Do not wash the machine with direct or pressurized water jets.



WARNING!

Do not use the machine on slopes with a gradient exceeding that is defined in the specification.

SYMBOLS THAT APPEAR ON THIS MANUAL



DANGER!

It indicates a dangerous situation with risk of death for the operator.



WARNING!

It indicates a potential risk of injury for people.



CAUTION!

It indicates a caution or a remark related to important or useful functions. Pay attention to the paragraphs marked by this symbol.



NOTE

It indicates a remark related to important or useful functions.



CONSULTATION

It indicates the necessity to refer to the Instruction for Use manual before performing any procedure.

GENERAL INSTRUCTIONS

Specific warnings and cautions to inform about potential damages to people and machine are shown below.



DANGER!

- *Before performing any maintenance, repair, cleaning or replacement procedure, turn off the machine and disconnect the battery connector.*
- *This machine must be used by properly trained operators only.*
- *Do not wear jewels when working near electrical components.*
- *Do not work under the lifted machine without supporting it with safety stands.*
- *Do not operate the machine near toxic, dangerous, flammable and/or explosive powders, liquids or vapors. This machine is not suitable for collecting dangerous powders.*
- *When using lead (WET) batteries, keep sparks, flames and smoking materials away from the batteries. During the normal operation explosive gases are released.*
- *When using lead (WET) batteries, battery charging produces highly explosive hydrogen gas. During battery charging, lift the recovery tank and perform this procedure in well-ventilated areas and away from naked flames.*
- *Keep the battery away from sparks, flames and incandescent material. During the normal operation explosive.*
- *Read all safety warnings and all instructions. Failure to follow the warnings and instructions may result in electrical shock, fire and/or serious injury.*
-



WARNING!

- *Carefully read all the instructions before performing any maintenance/repair procedure.*
- *Do not use any other type of batteries; only use the one supplied with the machine or its original spare part.*
- *Before each use, check if the machine is damaged.*
- *Do not soak in liquids.*
- *Recharge only with the charger specified by the manufacturer. A charger that is suitable for one type of battery pack may create a risk of fire when used with another battery pack.*
- *Under abusive conditions, liquid may be ejected from the battery; avoid contact. If contact accidentally occurs, flush with water. If liquid contacts eyes, additionally seek medical help. Liquid ejected from the battery may cause irritation or burns.*

- When battery pack is not in use, keep it away from other metal objects, like paper clips, coins, keys, nails, screws or other small metal objects that can make a connection from one terminal to another. Shorting the battery terminals together may cause burns or a fire.
- Do not use a battery pack or appliance that is damaged or modified. Damaged or modified batteries may exhibit unpredictable behavior resulting in fire, explosion or risk of injury.
- Follow all charging instructions and do not charge the battery pack or appliance outside of the temperature range specified in the instructions. Charging improperly or at temperatures outside of the specified range may damage the battery and increase the risk of fire.
- Do not expose a battery pack or appliance to fire or excessive temperature. Exposure to fire or temperature above 130°C may cause explosion.
- Have servicing performed by a qualified repair person using only identical replacement parts. This will ensure that the safety of the product is maintained.
- Do not modify or attempt to repair the battery.
- Do not store, use or recharge in environments with a temperature higher than 45°C.
- Do not recharge with temperatures lower than 0°C.
- Due to the risk of short-circuit, do not store the battery with metal objects.
- If the battery is damaged, take it to a Nilfisk Service Centre.
- Before decommissioning the machine, remove the battery.
- Store the battery charger in a dry place.
- If the battery charger or the cable are wet, do not use it.
- Do not use the battery charger in environments where there are flammable powders and/or explosive materials.
- Do not cover the battery charger.
- Always use the battery charger supplied with the machine or the original spare part. Firstly, turn off the machine. And then disconnect the battery pack from the appliance before making any adjustments, changing accessories, or storing appliance. Such preventive safety measures reduce the risk of starting the appliance accidentally.
- Use appliances only with specifically designated battery packs. Use of any other battery packs may create a risk of injury and fire.
- Keep the battery pack, including the ventilation channels and contact areas clean from dirt and moisture.
- Avoid that dirt and moisture is getting inside the battery pack during cleaning.
- Before using the battery charger, ensure that frequency and voltage values, indicated on the machine serial number plate, match the electrical mains voltage.
- Do not pull or carry the machine by the battery charger cable and never use the battery charger cable as a handle. Do not close a door on the battery charger cable, or pull the battery charger cable around sharp edges or corners. Do not run the machine on the battery charger cable.
- Keep the battery charger cable away from heated surfaces.
- Do not use the machine if the battery charger cable or plug is damaged. If the machine is not working as it should, has been damaged, left outdoors or dropped into water, return it to the Service Center.
- To reduce the risk of fire, electric shock, or injury, before performing any maintenance procedure, disconnect the battery charger cable from the electrical mains.
- Do not smoke while charging the battery.
- Always protect the machine against the sun, rain and bad weather, both under operation and inactivity condition. This machine must be used and stored indoors in dry conditions, it must not be used or kept outdoors in wet conditions.
- Before using the machine, close all doors and/or covers as shown in the Instructions for User Manual.
- This machine is not intended for use by persons (including children) with reduced physical, sensory or mental capabilities, or lack of experience and knowledge.
- Children should be supervised to ensure that they do not play with the machine.
- Close attention is necessary when used near children.
- Use only as shown in this Manual. Use only Nilfisk's recommended accessories.
- Check the machine carefully before each use, always check that all the components have been properly assembled before use. If the machine is not perfectly assembled it can cause damages to people and properties.
- Take all necessary precautions to prevent hair, jewels and loose clothes from being caught by the machine moving parts.
- Do not use the machine on slopes with a gradient exceeding that is defined in the specification.
- Do not tilt the machine more than the angle indicated on the machine itself, in order to prevent instability.
- Do not use the machine in particularly dusty areas.
- Use the machine only where a proper lighting is provided.
- While using this machine, take care not to cause damage to people or objects.
- Do not bump into shelves or scaffoldings, especially where there is a risk of falling objects.
- Do not lean liquid containers on the machine, use the relevant can holder.
- The machine working temperature must be between 0 °C and +40 °C.
- The machine storage temperature must be between 0 °C and +40 °C.
- The humidity must be between 30% and 95 %.
- When using floor cleaning detergents, follow the instructions on the labels of the detergent bottles.
- To handle floor cleaning detergents, wear suitable gloves and protections.
- Do not use the machine as a means of transport.
- Do not allow the brush to operate while the machine is stationary to avoid damaging the floor.

- *In case of fire, use a powder fire extinguisher, not a water one.*
- *Do not tamper with the machine safety guards and follow the ordinary maintenance instructions scrupulously.*
- *Do not allow any object to enter into the openings. Do not use the machine if the openings are clogged. Always keep the openings free from dust, hairs and any other foreign material which could reduce the air flow.*
- *Do not remove or modify the plates affixed to the machine.*
- *To manually move the machine, the electromagnetic brake must be disengaged. After moving the machine manually, engage the electromagnetic brake again. Do not use the machine when the electromagnetic brake handwheel is screwed down.*
- *When the machine is to be pushed for service reasons (missing or discharged batteries, etc.), the speed must not exceed 4 km/h.*
- *This machine cannot be used on roads or public streets.*
- *Pay attention during machine transportation when temperature is below freezing point. The water in the recovery tank or in the hoses could freeze and seriously damage the machine.*
- *Use only the brushes supplied with the machine or those specified in the Instructions for Use Manual. Using other brushes could reduce safety.*
- *In case of machine malfunctions, ensure that these are not due to lack of maintenance. If necessary, request assistance from the authorised personnel or from an authorised Service Center.*
- *If parts must be replaced, require ORIGINAL spare parts from an Authorised Dealer or Retailer.*
- *To ensure machine proper and safe operation, the scheduled maintenance shown in the relevant chapter of this Manual, must be performed by the authorised personnel or by an authorised Service Center.*
- *Do not wash the machine with direct or pressurised water jets, or with corrosive substances.*
- *The machine must be disposed of properly, because of the presence of toxic-harmful materials (batteries, etc.), which are subject to standards that require disposal in special centres (see Scrapping chapter).*
- *This machine is only to be used with the power supply unit provided with the appliance.*
- *The machine must only be supplied at safety extralow voltage corresponding to the marking on the appliance.*
- *This machine is intended for commercial use, for example in hotels, schools, hospitals, factories, shops, offices and rental businesses.*
- *Operators shall be adequately instructed on the use of these machines.*
- *Observe the Gross Vehicle Weight, GVW, of the machine when loading, driving, lifting or supporting the machine.*
- *Do not look at the laser beams used by the machine. Permanent eye damage could result. Lasers are eye-safe if viewed briefly, such as to determine that they are functioning. Do not look directly into lasers or stare at them without wearing protective laser safety glasses.*
- *In order to prevent unauthorized use of the machine, the power source shall be switched off or locked, for example by turn off the machine.*
- *Machines left unattended shall be secured against unintentional movement.*

Nilfisk products approved against 61000-6-8 shall include below statements in the manual:

This equipment meets the requirements for commercial and light-industrial locations when professionally installed and maintained.

Installation and maintenance shall be performed by an EMC professional.

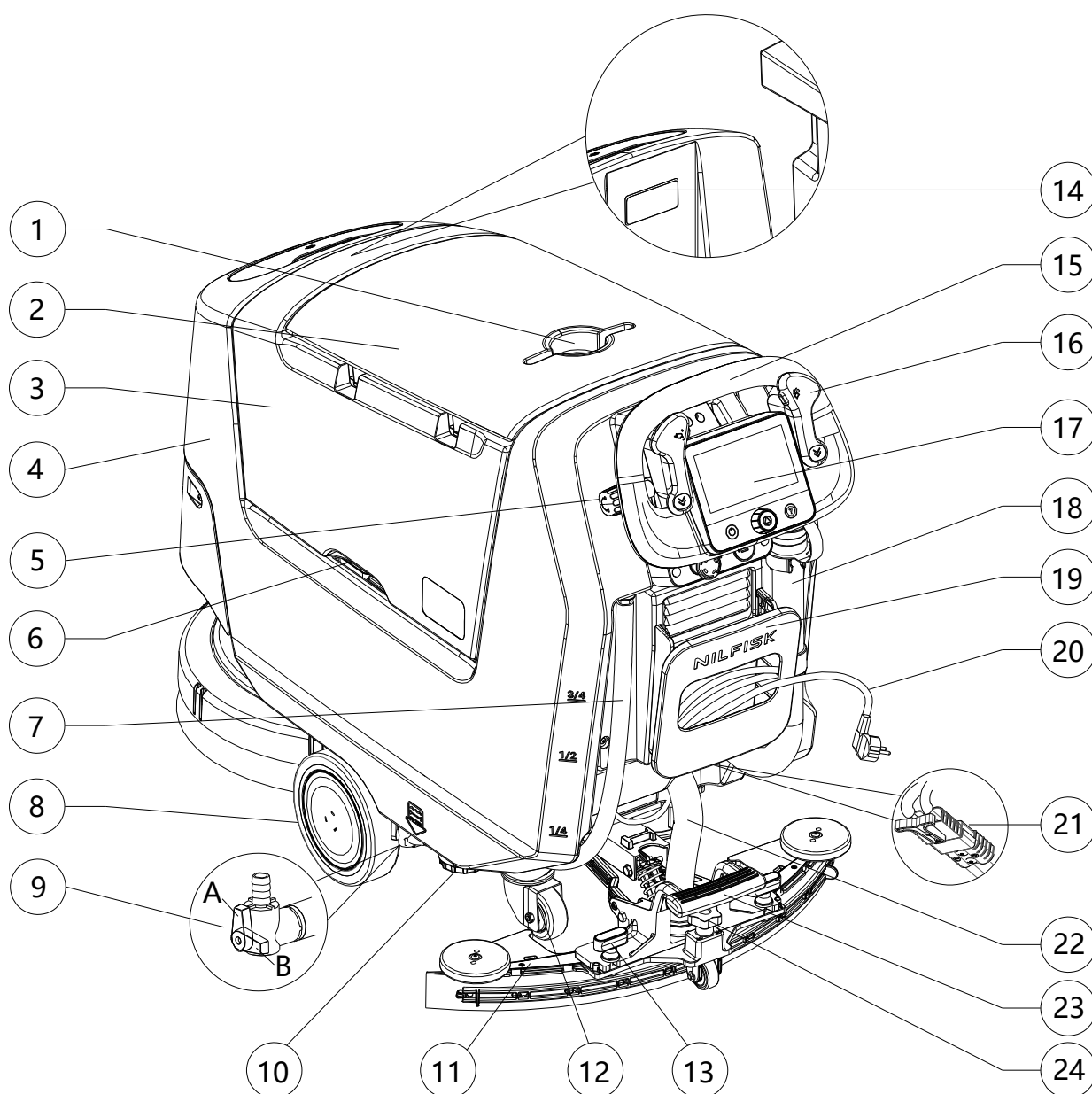
The professional installer shall evaluate the EMC situation before installation, if the equipment is installed closer than 30 m to a residential location.

Caution: This equipment is not intended for use in residential locations and will not guarantee to provide adequate protection to radio reception in such locations.

MACHINE DESCRIPTION

MACHINE STRUCTURE

- | | |
|---|---|
| <ul style="list-style-type: none"> 1. Can holder 2. Recovery tank cover 3. Recovery tank 4. Solution tank 5. Handlebar lock knob (T) 6. Tank lifting handle 7. Solution drain and level check hose 8. Front driving wheels 9. Solution valve: <ul style="list-style-type: none"> A) Open valve (T) B) Closed valve (T) 10. Solution filter (T) 11. Squeegee 12. Rear pivoting wheels 13. Squeegee mounting handwheels (T) | <ul style="list-style-type: none"> 14. Serial number plate/technical data/conformity certification 15. Drive handlebar 16. Forward/reverse gear and activation paddle 17. Control panel 18. Recovery water drain hose (T) 19. Battery charger cable housing and document holder 20. Battery charger cable 21. Battery connector (red). 22. Squeegee vacuum hose 23. Squeegee lifting/lowering pedal 24. Squeegee adjusting knob (T) (T) Touch point with blue color |
|---|---|

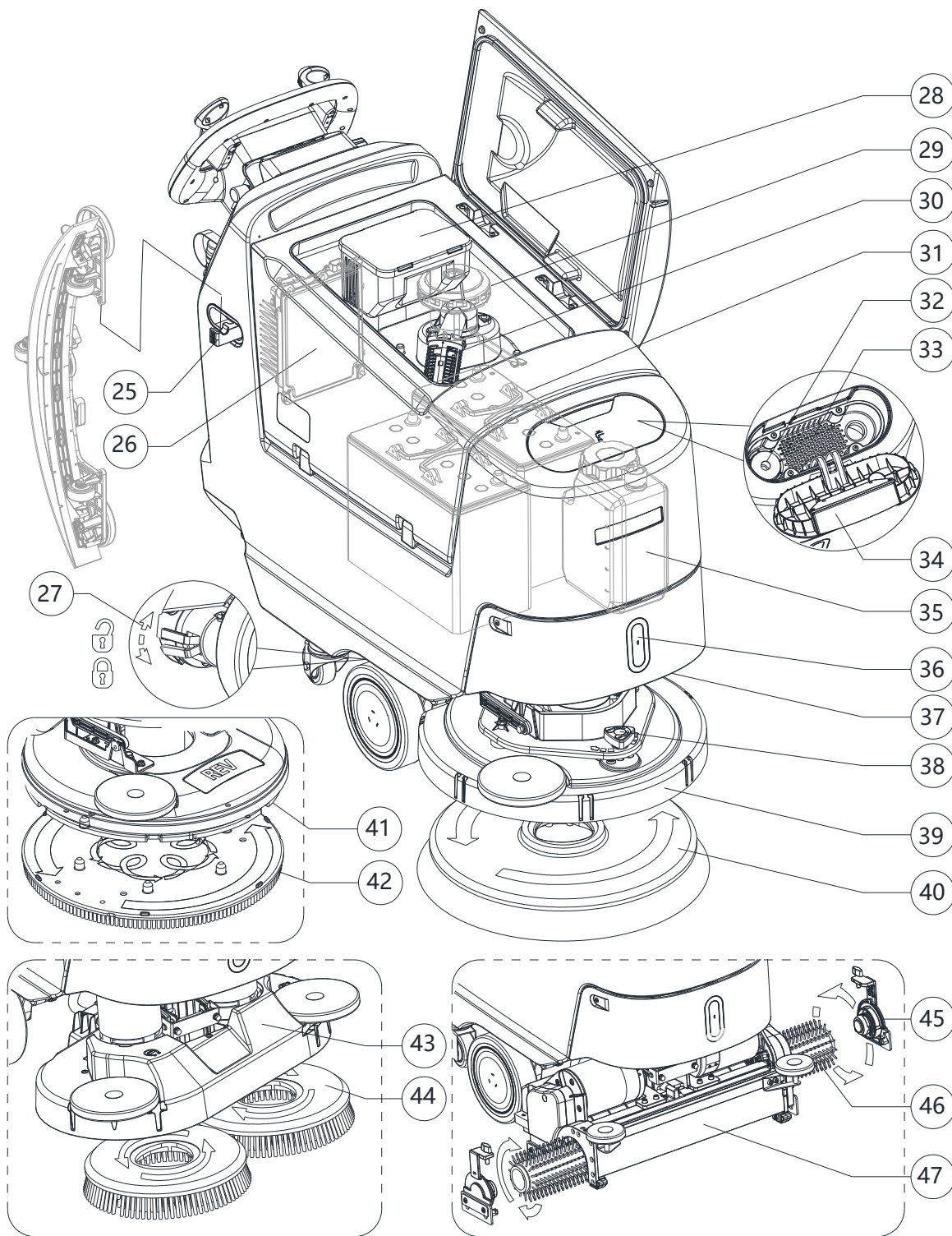


MACHINE STRUCTURE (Continues)

- 25. Squeegee hook (T)
- 26. Battery charger
- 27. Electromagnetic brake locking/unlocking lever
- 28. Debris collection tank (T)
- 29. Vacuum system motor
- 30. Vacuum grid with automatic shut-off float
- 31. Batteries
- 32. Water removable filler hose (T)
- 33. Solution tank front filler
- 34. Solution tank front filler cap (T)
- 35. EcoFlex detergent canister
- 36. Front light/Front light with laser (*)
- 37. Front panel
- 38. Straight forward movement adjusting knob

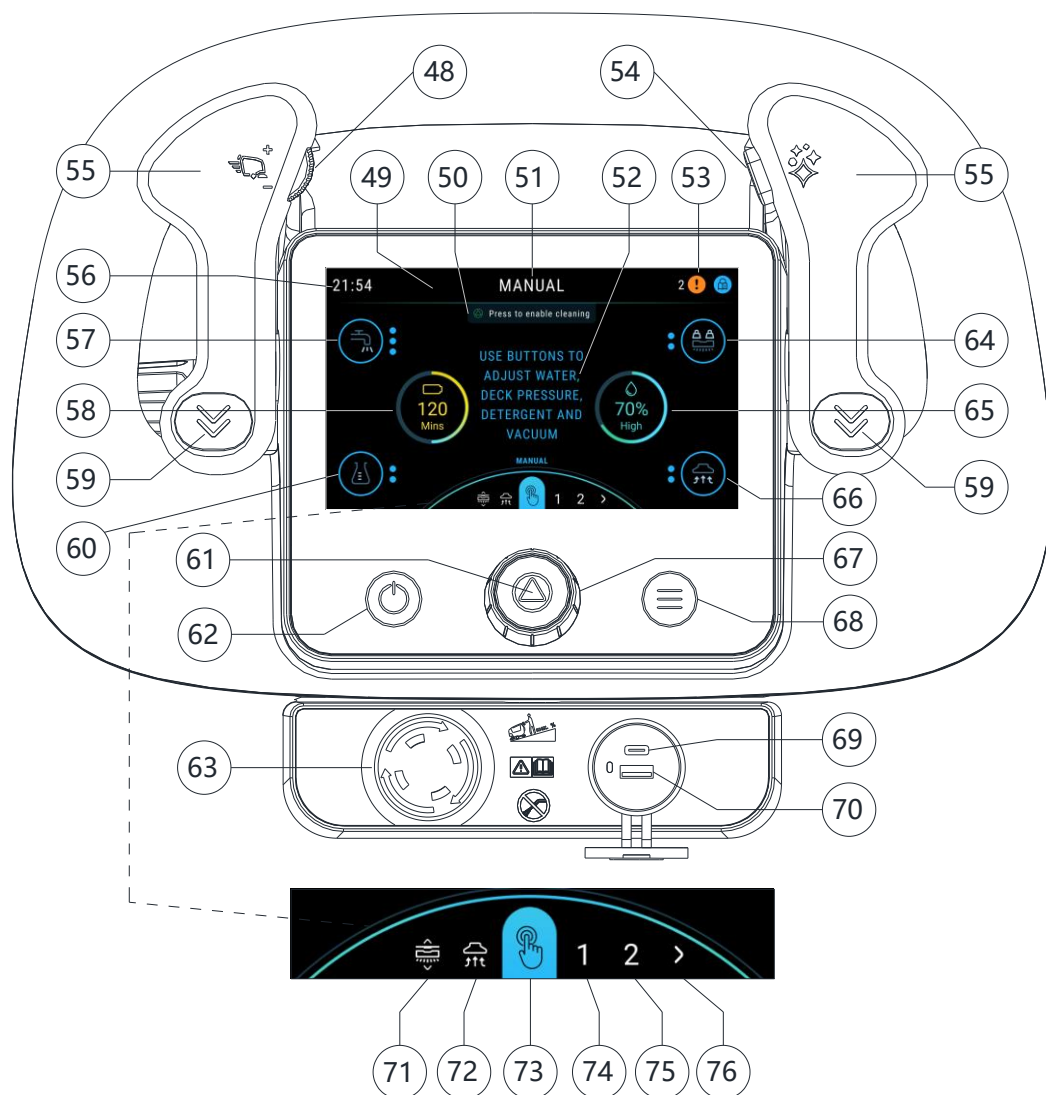
- 39. Disc brush deck
- 40. Single disc brush
- 41. REV deck (R)
- 42. REV brush (R)
- 43. Dual disc brush deck (D)
- 44. Dual disc brush (D)
- 45. Cylindrical brush side hook (C)
- 46. Cylindrical brush (C)
- 47. Cylindrical brush deck (C)

- (*) Optional for BASIC version
- (R) For REV version only
- (D) For Dual disc version only
- (C) For Cylindrical version only
- (T) Touch point with blue color



CONTROL PANEL

- 48. Speed control dial (T)
 - 49. Header
 - 50. Prompts area
 - 51. Preset name
 - 52. Information area
 - 53. Status area
 - 54. Burst of power button (T)
 - 55. Forward paddle
 - 56. Clock
 - 57. Water level button (Only in manual mode)
 - 58. Battery level graphic
 - 59. Reverse paddle
 - 60. Detergent level button (Only in manual mode)
 - 61. Start / stop / select button
 - 62. Power button
 - 63. Emergency stop button
 - 64. Deck pressure button (Only in manual mode)
 - 65. Water level graphic
 - 66. Vacuum button (Only in manual mode and vacuum mode)
 - 67. Smart dial (T)
 - 68. Menu button
 - 69. Type-C
 - 70. USB-A
 - 71. Brush click on / off mode (Brush disc machine only)
 - 72. Vacuum only mode
 - 73. Manual mode
 - 74. Presets mode 1
 - 75. Presets mode 2
 - 76. More presets
- (T) Touch point with blue color



ACCESSORIES/OPTIONS

In addition to the standard components, the machine can be equipped with the following accessories/options, according to the machine specific use:

- GEL batteries / Li-ion batteries
- Splash guard
- Electronic battery charger
- Other blades material
- Brushes of different materials
- EcoFlex
- Pads of different materials
- Automatic filling system
- Connectivity device
- FOB KIT
- Caddy
- Mop holder

For further information concerning the optional accessories, contact an authorised Retailer.

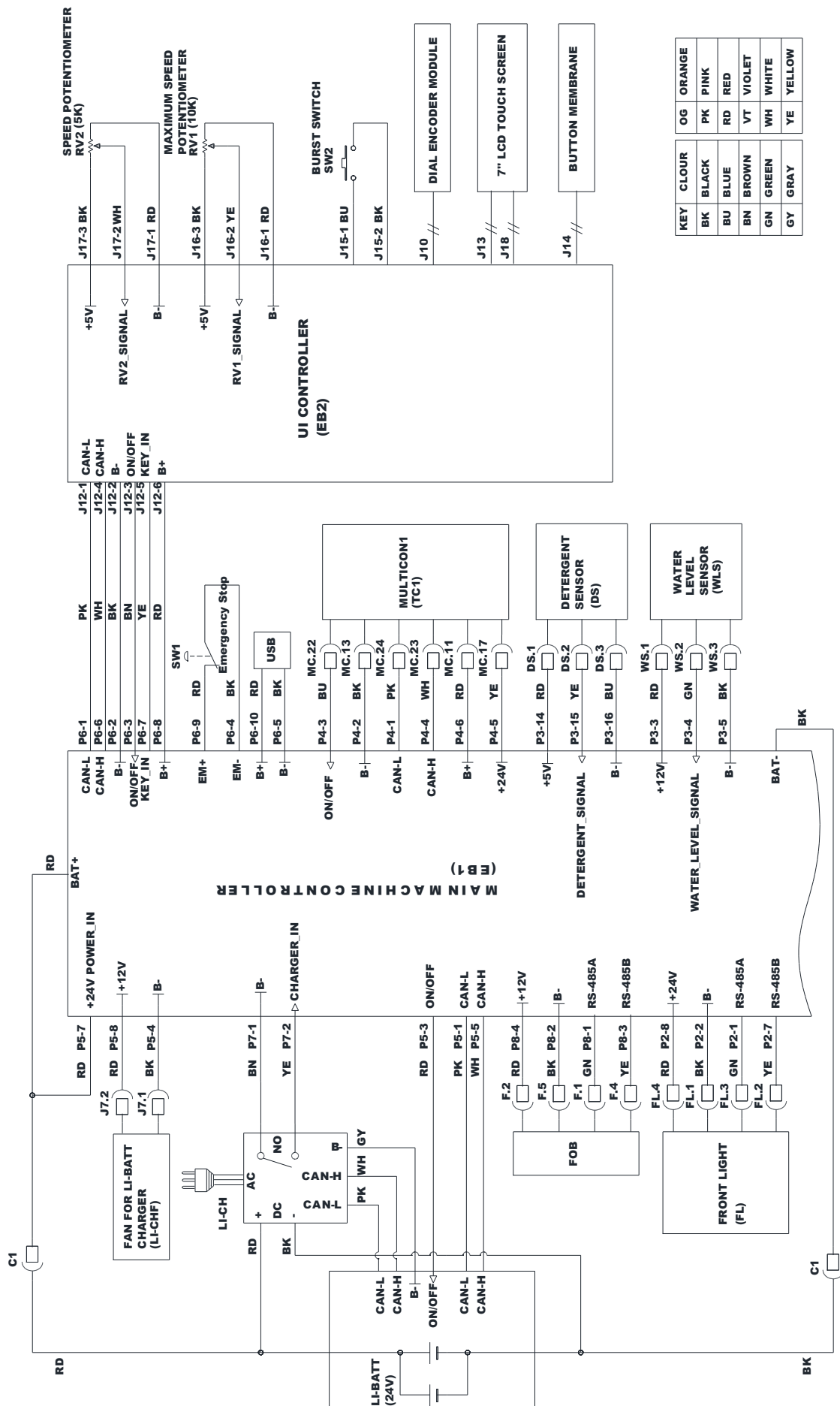
TECHNICAL DATA

Model	SC550 20D	SC550 24D	SC550 20C	SC550 20R
Solution tank	13.2 US gal (50 liters)			
Recovery tank	13.2 US gal (50 liters)			
Machine dimensions (L x w x h)	52.36x21.3x41.3 in (1330x540x1050 mm)	52.8x26.8x41.3 in (1340x680x1050 mm)	50.8x23.2x41.3 in (1290x590x1050 mm)	53.5x21.3x41.3 in (1360x540x1050 mm)
Squeegee width	29in (730mm)	32 in (810mm)		29in (730mm)
Scrubbing width	21 in/20 in (530 mm/508 mm)	24 in (610 mm)	20 in (508 mm)	20 in (508 mm)
Driving wheel diameter	7.8 in (200 mm)			
Max Driving wheel specific pressure on the floor (GVW)	75 psi (0.52 N/mm ²)	74 psi (0.51 N/mm ²)	73 psi (0.5 N/mm ²)	71 psi (0.49 N/mm ²)
Rear wheel diameter	3.2 in (80 mm)			
Max Rear wheel specific pressure on the floor (GVW)	297 psi (2.05 N/mm ²)	203 psi (1.4 N/mm ²)	280 psi (1.93 N/mm ²)	284 psi (1.96 N/mm ²)
Brush pressure stand/max	33 lb/66 lb (15 kg/30 kg)	55 lb /66 lb (25 kg/30 kg)	48.5 lb (22 kg)	48.5 lb /66 lb (22 kg/30 kg)
Solution flow values	0,75/1,5/3,0 cl/meter	0,90/1,8/3,6 cl/meter	1,0/1,83/2,8 cl/meter	0,38/0,75/1,5 cl/meter
Solution full flow mode	0.98 gpm (3,7 liter/minute)			
EcoFlex system detergent percentage	Ratio 1:400 ÷ 1:33 (0.25 % ÷ 3 %)			
Sound pressure level at workstation (ISO 11201, ISO 4871, EN 60335-2-72) (LpA) Normal mode/ Silent mode	63±3 dB(A)/ 56±3 dB(A)	65±3 dB(A) / 61±3 dB(A)	65±3 dB(A)/ 59±3 dB(A)	65±3 dB(A) / 62±3 dB(A)
Machine sound power level (ISO 3744, ISO 4871, EN 60335-2-72) (LwA) Normal mode/ Silent mode	75 dB(A) / 71dB(A)	80 dB(A) / 75 dB(A)	77 dB(A) / 76 dB(A)	78 dB(A) / 77 dB(A)
Vibration level at the operator's arms (ISO 5349-1, EN 60335-2-72)	< 98.4 in/s ² (< 2.5 m/s ²)			
Maximum gradient when working (*1)	10 %			
Drive system motor power	24V/0.27 hp (24V/200 W)			
Driver speed	0 - 3.1 mi/h (0 - 5 km/h)			
Vacuum motor	24V/0.48 hp (24V/350 W)			
Vacuum system circuit capacity	Normal: 29.9 in H ₂ O (760 mm H ₂ O) Silent: 16.1 in H ₂ O (410 mm H ₂ O)			
Brush motor	24V/0.6 hp (24V/450 W)	(2x) 24V/0.6 hp ((2x) 24V/450 W)	(2x) 24V/0.4 hp ((2x) 24V/300 W)	24V/0.48 hp (24V/350 W)
Brush speed	120 rpm	120 rpm	600 rpm	-
Rated power input (W)(*2)	1.1 hp (830 W)	0.85 hp (630 W)	0.9 hp (680 W)	0.76 hp (560 W)
IP protection class	X4			
Protection class (electric)	III			
Battery compartment size (L x w x h)	13.8x13.8x10.2 in (350x350x260 mm)			
System voltage	24V			
Li-ion Standard batteries 50Ah*1	24V 50Ah			
Li-ion Battery charger	24V 27.1A			
Li-ion 50Ah Max. running time (*) ECO mode (50Ah 1pcs)	3.7 hour	3.4 hour	3.6 hour	3.8 hour
Li-ion 50Ah Max. running time (*) Normal mode (50Ah 1pcs)	3.6 hour	3 hour	2.8 hour	3.2 hour
Weight without batteries and with empty tanks	231 lb (105 kg)	254 lb (115 kg)	245 lb (111kg)	234 lb (106 kg)
Gross vehicle weight with Li-ion Battery (50Ah) (GVW)	381 lb (173 kg)	403 lb (183 kg)	395 lb (179 kg)	384 lb (174 kg)
Shipping weight with Li-ion Battery (50Ah) (full package)	326 lb (148 kg)	348 lb (158 kg)	340 lb (154 kg)	329 lb (149 kg)

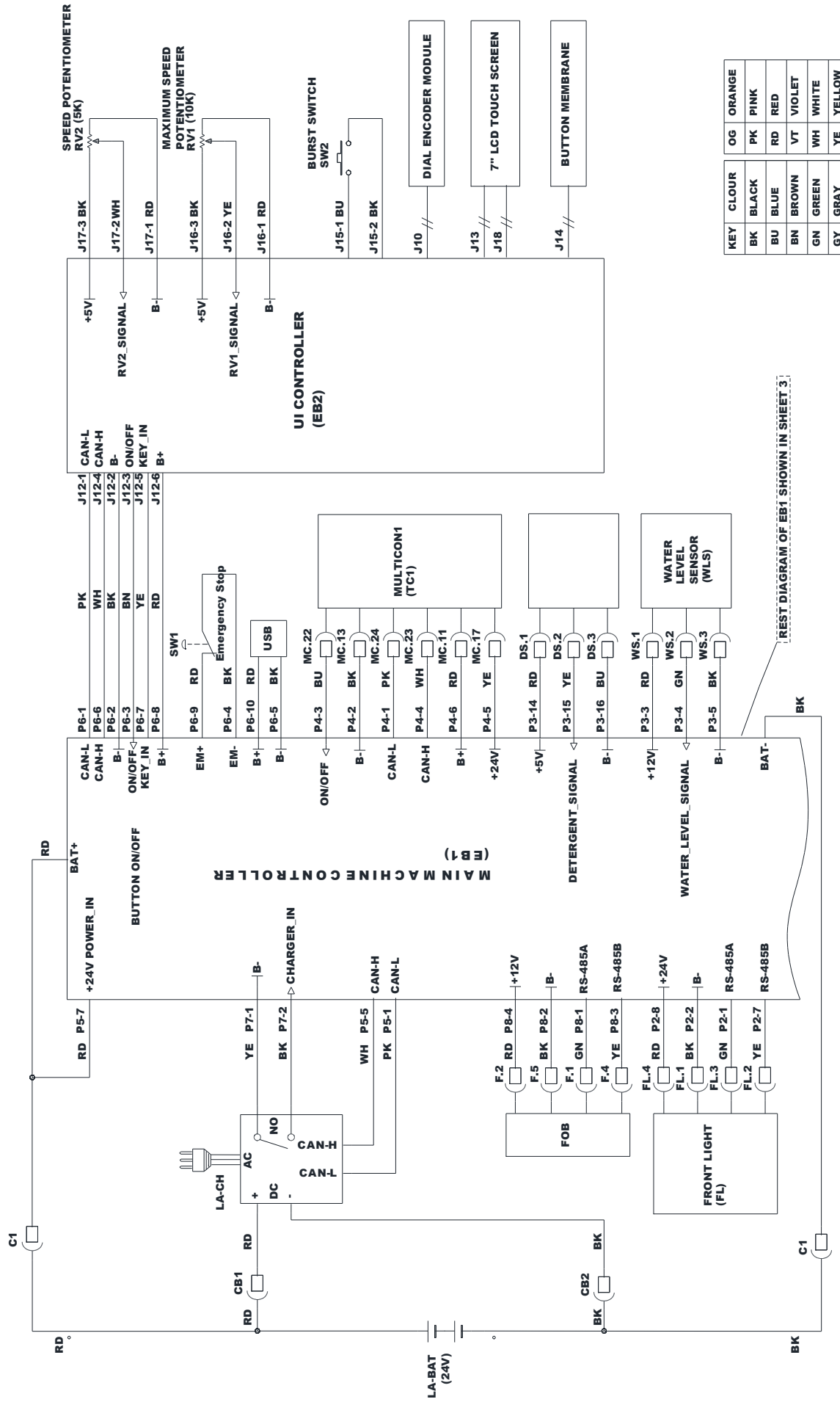
(*) Values reflect standard operating conditions (EN 60335-2-72)

(*1) The maximum length of continuous use on the slope shall be less than 20 meters.

WIRING DIAGRAM
(LI-ION BATTERY SYSTEM)



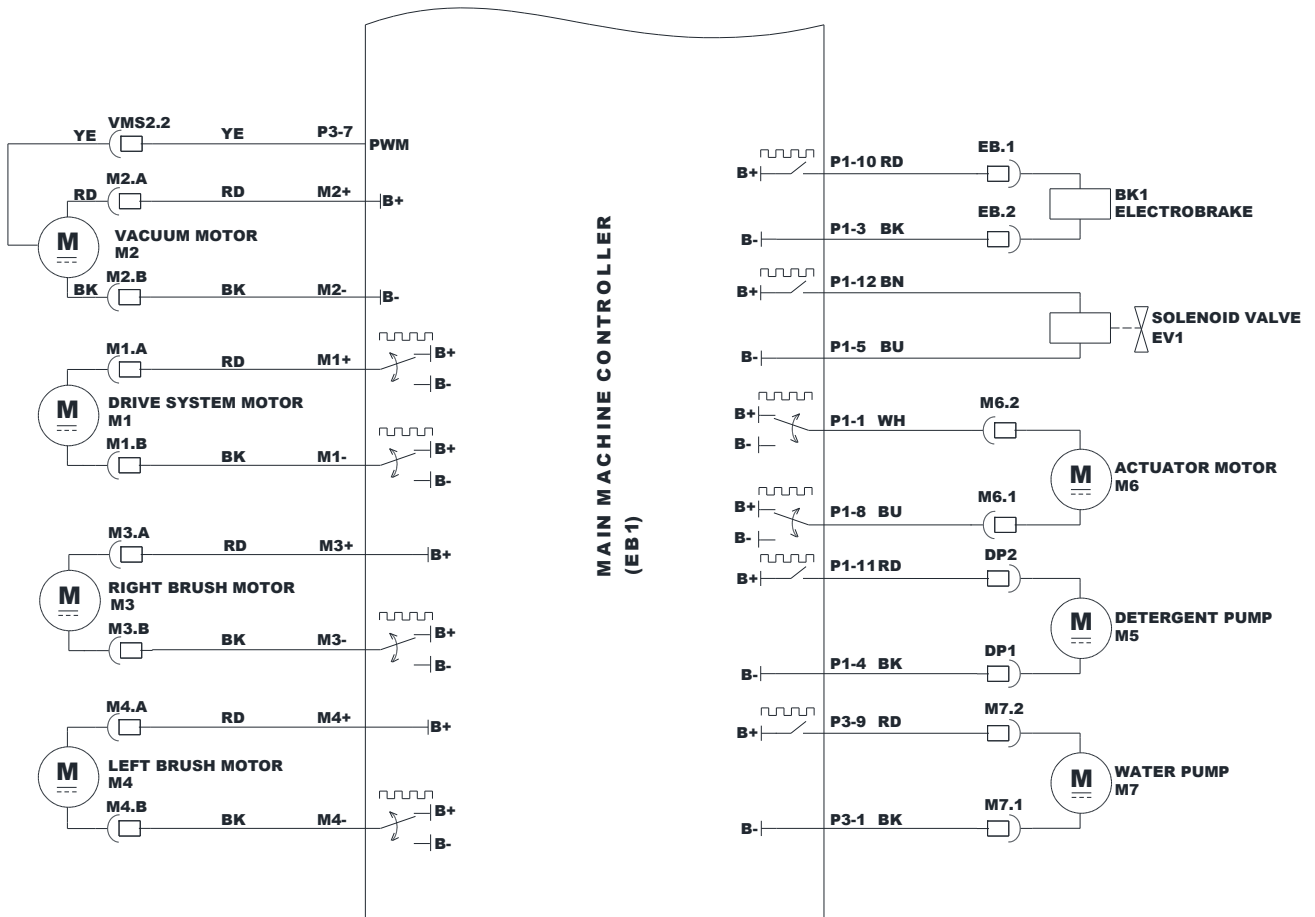
WIRING DIAGRAM (LEAD BATTERY SYSTEM)



REST DIAGRAM OF EB1 SHOWN IN SHEET 3

WIRING DIAGRAM

(COMMON PARTS)



Key

LI-BAT	LI-ION BATTERY (24V 50Ah) SIP
LI-CH	LI-ION BATTERY CHARGER 24V 27A SIP
LI-CHF	DC FAN SIP
LA-BAT	LEAD BATTERY
LA-CH	LEAD BATTERY CHARGER
FOB	FOB KIT
FL	FRONT LIGHT W LASER SIP FRONT LIGHT SIP
EB1	MAIN MACHINE CONTROLLER SIP
EB2	UI MODUL SIP
TC1	CONNECTIVITY DEVICE
DS	DETERGENT LEVEL SENSOR SIP
WLS	SENSOR WATER LEVEL SIP
RV1	PADDLE F SPEED ADJUST KIT
RV2	POTENTIOMETER 5K SIP
M3	MOTOR ELECTRIC 350W 24V SIP REDUCTION GEARMOTOR 450W 24V SIP REDUCTION GEARMOTOR 450W 24V SIP CYL MOTOR 24V 300W 1500RPM SIP

Colour codes

BK	BLACK
BU	BLUE
BN	BROWN
GN	GREEN
GY	GRAY
OG	ORANGE

M4	REDUCTION GEARMOTOR 450W 24V SIP CYL MOTOR 24V 300W 1500RPM SIP
M1	TRACTION MOTOR 24V 200W KIT
M2	VACUUM MOTOR BLDC 24V 350W SIP
M5	PUMP DETERG. MIX PERISTALTIC 24V SIP ACTUATOR 24V 550N 105MM SIP
M6	ACTUATOR LINEAR 24V DC STRK 120MM SIP ACTUATOR LINEAR 24V DC STRK 98MM SIP
M7	SOLUTION PUMP 24V 3.8L/MIN 40PSI SIP
EV1	SOLENOID VALVE 24V SIP
BK1	ELECTROMAGNETIC BRAKE SIP
USB	USB PORT SIP
DIAL ENCODER MODULE	UI MODUL SIP
BUTTON MEMBRANE	UI MODUL SIP
7" LCD TOUCH SCREEN	UI MODUL SIP
SW1	SWITCH EMERGENCY KIT
SW2	PADDLE F HIGH PERFORMANCE KIT

PK	PINK
RD	RED
VT	VIOLET
WH	WHITE
YE	YELLOW

USE/OPERATION



WARNING!

On some points of the machine there are some adhesive plates indicating:

- **DANGER**
- **WARNING**
- **CAUTION**
- **CONSULTATION**

While reading this Manual, the operator must pay particular attention to the symbols shown on the plates (see Visible Symbols on The Machine paragraph).

Do not cover these plates for any reason and immediately replace them if damaged.

NEW USER CREATION AND LOGIN INTERFACE

1. When the machine is first activated, the machine will guide the creation of a "SUPERVISOR USER" account. This is the highest authority of the machine, and the operator must complete the creation of this account to proceed to the next step. "SUPERVISOR USER" can create more users in the settings/ user access interface. (see the MENU INTERFACE paragraph in Maintenance chapter)
 - "TRAINEE USER" password (0000) For first time use / new operator. Main difference is starts in training mode with all pop ups enabled.
 - "BASIC USER" password (Creating by "SUPERVISOR USER") For general user, only presets enabled by supervisor are available. (No manual mode available).
 - "ADVANCED USER" password (Creating by "SUPERVISOR USER") Manual mode available. Ability to change detergent ratios / settings.
 - "SUPERVISOR USER" password (Create when the machine is first activated or creating by exist "SUPERVISOR USER) All settings and presets setups available, ability to add new users, change deck configuration, change batteries etc.
2. After restarting the machine, the machine will enter the password login interface shown in Figure 1, then enter your password to start the machine.



Figure 1

BATTERY CHECK/SETTING ON A NEW MACHINE



WARNING!

The electric components of the machine can be seriously damaged if the batteries are either improperly installed or connected.

The batteries must be installed by qualified personnel only.

Check the batteries for damage before installation.

Handle the batteries with great care.

LI-ION BATTERY VERSION: The machine requires at least a 24 V battery, connected according to the diagram shown in Figure 2.

LEAD BATTERY VERSION :The machine requires 2 12 V batteries, connected according to the diagram shown in Figure 3.

Batteries already installed on the machine

1. Ensure that the battery connector (21) is connected.
2. When first using the machine with new batteries, perform a full charging cycle (see the procedure in Maintenance chapter).

BATTERY INSTALLATION



DANGER!

This machine requires sealed exclusive use Li-ion battery.

Li-ion Battery Installation

1. Turn off the machine with start/stop button (62).
2. Disconnect the battery connector (21).
3. Lift the cover (2) and check that the recovery tank (3) is empty; if not, empty it using the drain hose (18).
4. Close the cover (2).
5. Grasp the handle (6) and carefully lift the tank (3).
6. Loosen the screws to take down the box cover (if have).
7. Operator must disconnect the positive terminal first, second the control cable and then disconnect negative terminal on the battery and lift the battery up a little then can pull it out in the left or right side.
8. Replace the new battery to the machine and reconnect the terminals and control cable to the battery.

DANGER!



For 24V 64Ah Li-ion battery, pay special attention when connecting the battery pins. The black cable must be connected to the negative pin (-) of the battery first, then the control cable and then the red cable must be connected to the positive pin (+). A wrong connection or sequence can damage the battery.

9. Close the box cover and re-lock the screws which are loosened before and then close the cover.

Battery Charging

10. Fully charge the batteries (see the procedure in Maintenance chapter).

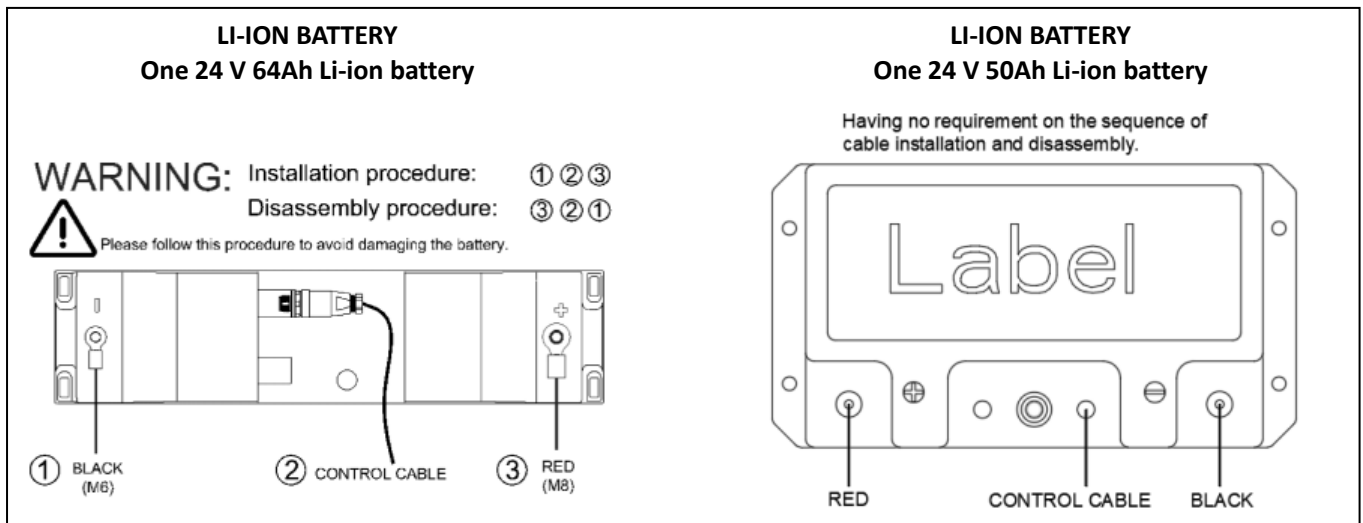


Figure 2

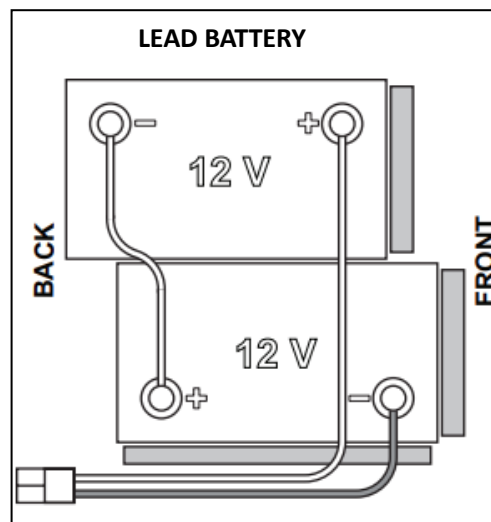


Figure 3

BEFORE MACHINE START-UP



WARNING!

When starting the machine, make sure that there is no foreign material between the deck and the tank assembly which could obstruct the deck movement. If the machine has been turned off without lifting the deck, the deck would lift automatically at next machine start-up.

Brush or pad-holder removal/installation (Brush disc system)

According to the kind of cleaning to be performed, the machine can be equipped either with the brush (A, Fig. 4) or the pad-holder (B) with pad (C) together with the appropriate deck.

1. Place the brush (A) or the pad-holder (B) under the brush deck (39) / Dual disc deck (43).
2. Press start/stop button (62) and enter password to start machine. Roto dial button (67) to select brush click on/off mode (71), press dial button (61) to confirm.



3. Press the Attach brush(es) button on the screen to lower the deck onto the brush.
4. Brush motors rotate automatically until the brush is engaged.



CAUTION!

Make sure the brush is placed directly below and repeat the procedure if it does not install smoothly. Swaying the machine slightly from side to side according to the brush position can improve the success rate of automatic installation.

5. To remove the brush, the deck must be lifted and roto dial button (67) to select brush click on/off mode. Press dial button (61)



to confirm. Press the Release brush(es) button. The brush will run for a few seconds and stop, wait until the brush is lowered onto the floor.

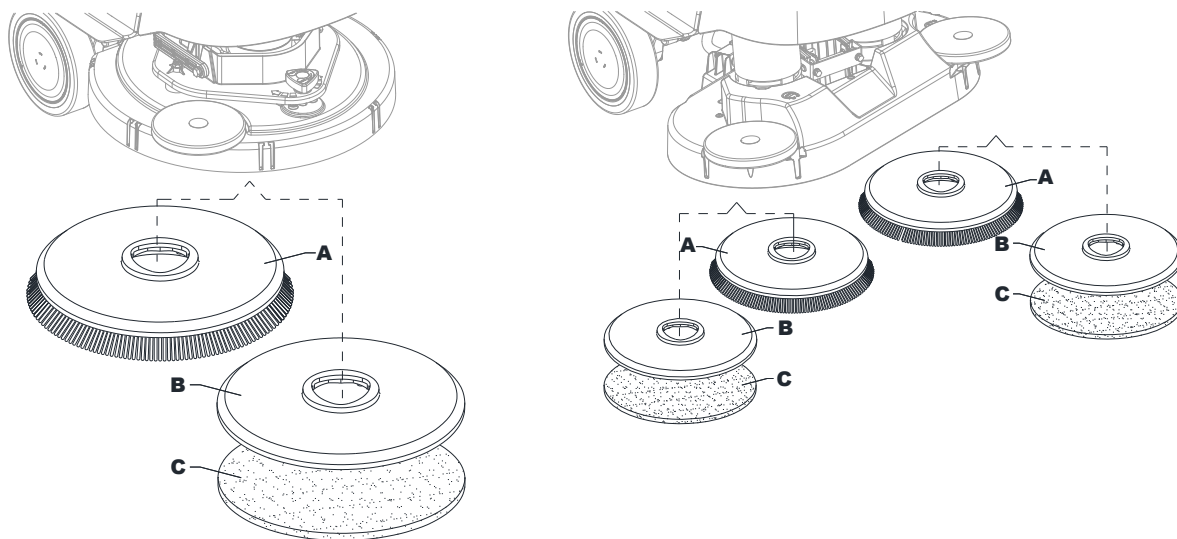


Figure 4

Available brushes and their relevant application guides (suggestions only)

Models	46 GRIT	80 GRIT	180 GRIT	240 GRIT	500 GRIT	PROLENE	PROLITE	UNION MIX
General cleaning:								
Concrete								
Terrazzo floor								
Ceramic tiles/quarrestones								
Marble								
Vinyl tiles								
Rubber tiles								
Polishing:								
Rubber tiles								
Marble								
Vinyl tiles								

Pad-holder removal/installation (REV system)

1. Make sure that the REV deck (41) is lifted.
2. Turn off the machine with the start/stop button (62) .
3. According to the kind of cleaning to be performed, install the pad (A, Fig. 5) or the brush (C, optional) and note the following:
 - Place the pad (A) under the deck and press it until it is fastened with the Velcro of the drive disc (B).
 - Place the brush (C, optional) under the deck, and then match the centering pins (D) to the respective holes of the drive disc (B), and then engage the brush with the three mounting screws (E).
4. To remove the pad or brush, proceed in the reverse order.

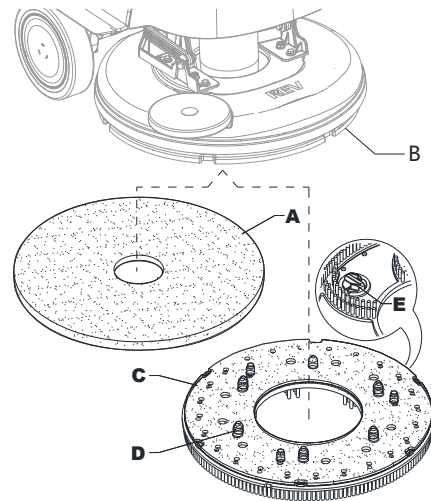


Figure 5

Brush removal/installation (Cylindrical system)

1. Make sure that the cylindrical deck (47) is lifted.
2. Turn off the machine with the start/stop button (62) .
3. According to the kind of cleaning to be performed, install the brush (B, Fig. 6) and note the following:
 - Release the screw (A) and remove the side hook (C) from brush deck (D).
 - Install the brush (B) in the deck (D). Install the side hook (C) for brush and lock the screw (A).
4. To remove the brush, proceed in the reverse order.

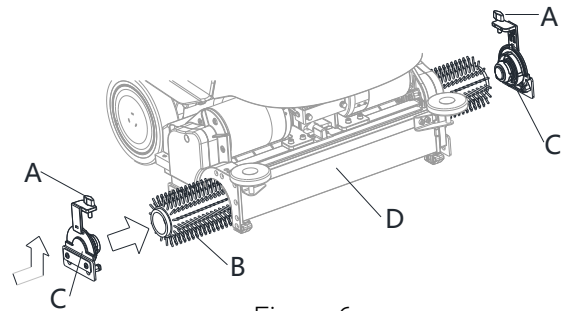


Figure 6

Squeegee installation

1. Install the squeegee (A, Fig. 7) and fasten it to the bracket (C) with the handwheels (B).
2. If necessary, adjust the squeegee with the knob (D) so that the rear blade (E) and front blade (F) touch the floor as shown in the figure.

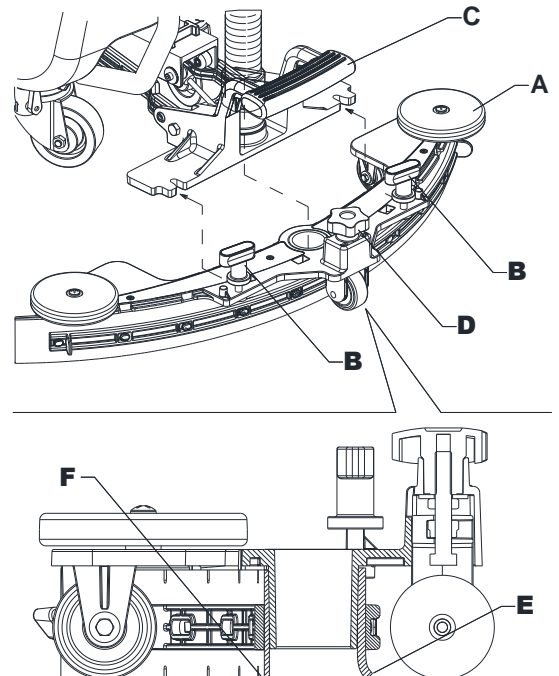


Figure 7



CAUTION!

Use only low-foam and non-flammable detergents, intended for automatic scrubber applications.



WARNING!

When using floor cleaning detergents, follow the instructions on the labels of the detergent bottles. To handle floor cleaning detergents, wear suitable gloves and protections.



NOTE

If the machine is equipped with EcoFlex system pour clean water in the tank, otherwise pour solution.

1. Ensure that the solution valve (9) is open (9-A).
2. To fill the solution tank (4) use the front filler (33).

(For machines without EcoFlex system)

3. Fill the tank (4) with a solution suitable for the work to be performed. Do not fill the tank completely, leave a few inches or CM from the edge. Use the level hose (7) as reference. Always follow the dilution instructions on the label of the chemical product used to prepare the solution. The solution temperature must not exceed 40 °C.

(For machines with EcoFlex system)

4. Fill the tank (4) with clean water. Use the water removable filler hose (32). Do not fill the tank completely, leave a few inches from the edge. Use the level hose (7) as reference. The water temperature must not exceed 40 °C.

Detergent tank filling (For machines with EcoFlex system)

5. Lift the cover (2) and check that the recovery tank (3) is empty; if not, empty it using the drain hose (18).
6. Close the cover (2).
7. Grasp the handle (6) and carefully lift the tank (3).
8. Fill the tank (34) with a detergent suitable for the work to be performed (highly concentrated detergent). Do not fill the detergent tank completely, leave a few inches from the edge.

**NOTE**

To accelerate filling of the hoses and system operation (with a new system, if the system has been emptied for cleaning, etc.), it is a good idea to run the Detergent PRUGE program first. (see the procedure in the Maintenance chapter)

Operating handle Angle adjustment

1. Ensure that the machine is off.
2. Unscrew the handle lock knob (5) until the handlebar (B, Fig. 8) can be moved.
3. Adjust to the operating Angle and lock through handle lock knob (A).

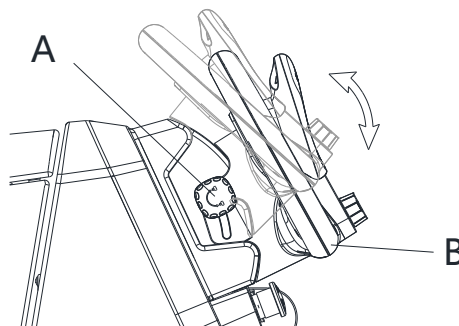


Figure 8

MACHINE START AND STOP**Starting the machine**

1. Prepare the machine as shown in the previous paragraph.
2. Press start/stop button (62). In the first 2 seconds after machine start-up, the screen displays the password interface. Enter password to Start machine.
3. The screen display the main interface.

**NOTE**

Check the battery charge level. When the screen display battery symbol (58) is low, the batteries have to be charged (see the procedure in Maintenance chapter).

4. Drive the machine to the area it is required by starting it with your hands on the handlebar (15) and pushing the paddle (16) forward to move forward, and backwards to move in reverse. The speed can be adjusted by pressing the paddle (16) more or less. The maximum speed can be set with the speed adjustment knob (48).

Stopping the machine

5. Stop the machine by releasing the paddle (16).
6. Turn off the machine by pressing the start/stop button (62).

**NOTE**

If the machine is on but not working, it automatically turns off after 5 minutes.

7. Make sure that the machine cannot move independently.

**WARNING!**

In the event of an emergency, to stop all machine functions immediately, press the emergency stop button (63).

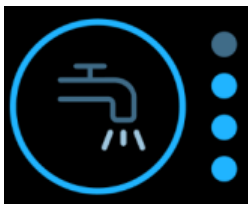
MACHINE OPERATION (SCRUBBING/DRYING)

1. Start the machine as shown in the previous paragraph.
2. Lower the squeegee (11) with the pedal (23).
3. Press the start/stop button (62) and enter password to start the machine. Roto dial button (67) to select clean mode as follows and press dial button (61) to confirm.
 - Manual mode (73)-Solution flow, detergent flow, brush pressure, vacuum level can be adjusted by screen.
 - Smart clean mode (74) -Presetting, cannot be adjusted by screen.
 - Standard clean mode (75) -Presetting, cannot be adjusted by screen.
 - Deep clean mode/ Floor prep mode (REV only) -Presetting, cannot be adjusted by screen.
4. lower the brush deck and start scrubbing and drying. Start cleaning by maneuvering the machine and pressing the paddle (16) when the brush is lowered to the ground. If necessary, adjust the maximum speed with the speed adjustment knob (48).
5. Adjust the solution flow by pressing the solution flow adjustment button (manual mode only) as necessary, depending on the type of cleaning to be performed.



NOTE

For the first 3 flow levels (Fig. 9), the amount of solution dispensed is automatically adjusted according to the machine speed, in order to obtain a constant amount of solution per linear meter of cleaning.



Version	Solution flow values (cl/meter)				Solution full flow mode gpm (liter/minute) it requires a supervisor user to enable it.
	Lev.0	Lev.1	Lev.2	Lev.3	Lev.4
Disc	OFF	0,75	1,5	3,0	0.98 gpm (3,7 liter/minute)
REV	OFF	0,38	0,75	1,5	
Dual disc	OFF	0,90	1,8	3,6	
Cylindrical	OFF	1,0	1,83	2,8	

Figure 9

6. If necessary, to reduce the noise, turn on the vacuum system mute function by pressing the Vacuum system adjustment/deactivation button (66) (manual mode only).



NOTE

For correct scrubbing/drying of floors at the sides of the walls, Nilfisk suggests to go near the walls with the right side of the machine as shown in figure 10.

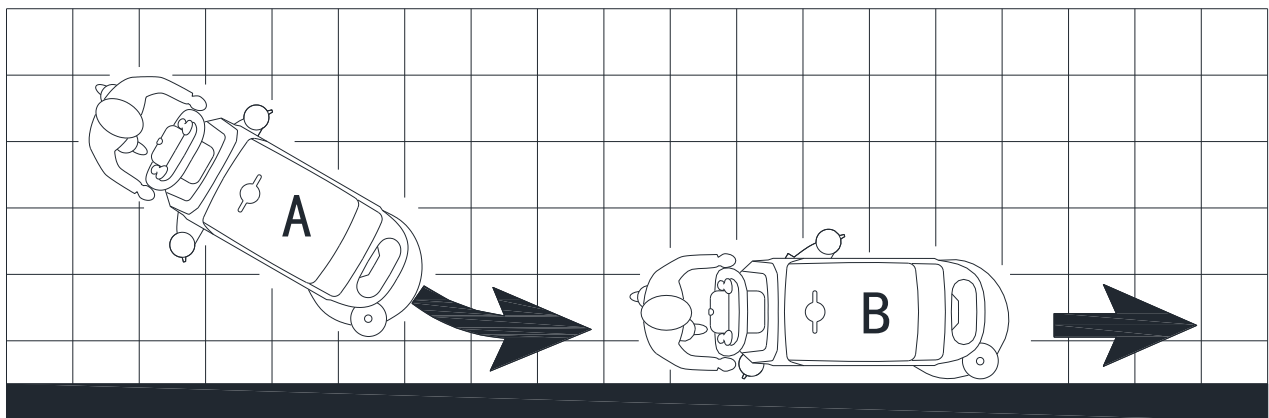


Figure 10



WARNING!

To avoid any damage to the floor surface, turn off the brush when the machine is stationary, especially when the extra pressure function is on.

7. At the end of the work, press the dial button (61) to lift the brush deck. After 10 seconds, the vacuum system turns off too.
8. Lift the squeegee (11) with the pedal (23).

Adjusting of detergent concentration in the cleaning solution (Manual mode only)

- (For machines with EcoFlex system)
- The system for mixing the detergent in the cleaning solution is automatically activated when the brush is running.
- The percentage of detergent added to the cleaning solution is set to level 1 (Fig. 11).
- By pressing the detergent percentage adjustment push-button (60), it is possible to set the percentage level to 2, or reset it to level 0.
- The set percentages are shown on the display (60).



Percentage of detergent		
Lev.0	Lev.1	Lev.2
OFF	0.40% 1:250	0.80% 1:125

Figure 11

Burst of power button

Press the burst of power button(54) when stronger washing power is needed temporarily.

With the burst of power activated, increased solution flow, activation of the extra pressure of the brush and an increase in the solution detergent concentration (level 2 if the level was set to 1 - level 1 if the level was set to 0) is obtained. The screen displays burst of power countdown of 60s. Press the burst of power button (54) again, to restore the original settings.



NOTE

If the burst of power button (54) is not pressed again, the original settings are restored automatically after 60 seconds.



NOTE

All of the above solution flow and detergent concentration values are factory settings. To change these settings, see the Supervisor paragraph in Maintenance chapter.

REV system (for REV version only)

Press the Floor prep mode when a specific washing mode is required.

With the REV system activated the drive speed is decreased, the brush extra pressure is activated, the detergent is stopped and the cleaning solution quantity is reduced.

Working with brush extra pressure function turned on (Manual mode only)

If the floor proves to be particularly difficult to clean, it is possible to turn on the brush extra pressure function, according to the following procedure:

1. Press start/stop button (62) and enter password to start machine. Roto dial button (67) to select manual mode, press dial button (61) to confirm. Lower the brush deck as shown in "Starting The Machine" paragraph.
2. Press the extra pressure button (64). The extra pressure function activation is shown icon on the display (64).
3. To return to normal pressure, press the extra pressure button (64) again to switch.



CAUTION!

In case of brush motor overload, due to foreign bodies which prevent them from turning, or to excessively aggressive floors/brushes, the safety system stops the brush after about one minute of continuous overload. If the overload takes place when the extra pressure function is on, the system automatically turns the extra pressure function off. If the overload persists, the brush stops. To start scrubbing again after a brush stop due to overload, turn off and then on the machine with start/stop button (62).

Battery discharge during operation

When the battery (58) displays low in the screen, it is advisable to charge the batteries, because the residual autonomy will last for a few minutes (depending on battery characteristics and work to be performed). After a few seconds, the brush is automatically tuned off, while the vacuum system and the drive system stay on, to finish drying the floor and drive the machine to the appointed recharging area.



CAUTION!

Do not use the machine with discharged batteries, to avoid damaging the batteries and reducing the battery life.

TANK EMPTYING

An automatic shut-off float system (30) turns off the vacuum system when the recovery tank (3) is full. The vacuum system deactivation is signaled by a sudden increase in the vacuum system motor noise, and the floor is not dried.



CAUTION!

If the vacuum system turns off accidentally (for example, when the float is activated because of a sudden machine movement), to resume the operation: turn off the vacuum system, then open the cover (2) and check that the float inside the grid (30) has gone down. Then close the cover (2) and turn on the vacuum system again.

When the recovery tank (3) is full, empty it according to the following procedure.

Recovery tank emptying

1. Raise the brush deck.
2. Lift the squeegee (11) with the pedal (23).
3. Drive the machine to the appointed disposal area.
4. Turn off the machine with the start/stop button (62).
5. Empty the recovery tank (3) with the drain hose (18). Then, rinse the tank with clean water.

Solution tank emptying

6. Perform steps 1 to 4.
7. Empty the detergent solution tank (4) using the level hose (7). Then, rinse the tank with clean water.

AFTER USING THE MACHINE

After working, before leaving the machine:

1. Remove the brush as shown in the relevant paragraph.
2. Turn off the machine with the start/stop button (62).
3. Empty the tanks (3) and (4) as shown in the relevant paragraphs.
4. Perform the daily maintenance procedures (see the Maintenance chapter).
5. Store the machine in a clean and dry place, with the brush and the squeegee lifted or removed.

MACHINE LONG INACTIVITY

If the machine is not going to be used for more than 30 days, proceed as follows:

1. Perform the procedures shown in After using the machine paragraph.
2. For versions with EcoFlex system, empty the detergent tank (35) and clean the system with a draining cycle (see the procedure in Maintenance chapter).
3. Close the solution tank valve (9-B).
4. Disconnect the battery connector (21).

MAINTENANCE

The lifespan of the machine and its maximum operating safety are ensured by correct and regular maintenance. The following table provides the scheduled maintenance. The intervals shown may vary according to particular working conditions, which are to be defined by the person in charge of the maintenance.



WARNING!

The procedures must be performed with the machine off and the battery disconnected. Moreover, read carefully the instructions in the Safety chapter before performing any maintenance procedure.

All scheduled or extraordinary maintenance procedures must be performed by qualified personnel, or by an authorised Service Center.



CAUTION!

When the Service icon appears on the display (52), contact an authorised Nilfisk Service Centre for scheduled maintenance.

This Manual describes only the simplest and most common maintenance procedures. For other maintenance procedures shown in the Scheduled Maintenance Table, refer to the Service Manual that can be consulted at any Service Center.

SCHEDULED MAINTENANCE TABLE

Procedure	Daily, after using the machine	Weekly	Every six months	Yearly
Battery Charging				
Squeegee Cleaning				
Brush/pad cleaning				
Recovery tank, debris tray, and vacuum grid with float cleaning, and cover gasket, and CYL debris hopper check				
Detergent System cleaning and washing (optional)				
Squeegee blade check				
Solution Filter Cleaning				
Squeegee blade replacement				
Drive and brush motor vent check and cleaning			(1)	
Brush motor carbon brush check or replacement				(1)
Drive system motor carbon brush check or replacement				(1)
Brush deck vibration-damper replacement (only for REV version)				(1)

(1) This maintenance procedure must be performed by an authorised Nilfisk Service Center.

BATTERY CHARGING



NOTE

Charge the batteries when displays low (58) in the screen, or at the end of the shift. Keeping the batteries charged make their life last longer.



CAUTION!

When the batteries are discharged, charge them as soon as possible, as that condition makes their life shorter. Check for battery charge at least once a week.



CAUTION!

If the machine is not equipped with on-board battery charger, choose an external battery charger suitable for the type of batteries installed.



WARNING!

When using lead (WET) batteries, battery charging produces highly explosive hydrogen gas. Charge the batteries in well-ventilated areas and away from naked flames.

Do not smoke while charging the batteries. Keep the recovery tank lifted until the battery charging cycle is over.



WARNING!

Pay careful attention when charging batteries as there may be battery fluid leakages. The battery fluid is corrosive. If it comes in contact with skin or eyes, rinse thoroughly with water and consult a physician.

1. Drive the machine to the appointed recharging area.
2. Ensure that the machine is off.
3. Lift the cover (2) and check that the recovery tank (3) is empty; if not, empty it using the drain hose (18).
4. Close the cover (2).
5. Grasp the handle (6) and carefully lift the tank (3).
6. (For WET CELL batteries only) Check the level of electrolyte inside the batteries. If necessary, unscrew the caps and top up. When the correct level is restored, close the caps and clean the tops of the batteries.

Charging the Batteries with an External Battery Charger

1. Check that the external battery charger is suitable by referring to the relevant Manual. The battery charger voltage rating must be 24 V.
2. Disconnect the battery connector (21), which is fitted with a handle, and connect it to the external battery charger.
3. Connect the battery charger to the electrical mains.
4. After charging, disconnect the battery charger from the electrical mains and from the battery connector (21).
5. Connect the battery connector (21) to the machine.
6. Carefully lower the recovery tank (3).



WARNING!

Never connect the external battery charger to the opposing part of the connector fixed to the machine. The electronic system could be irreparably damaged.

Battery charging with battery charger installed on the machine

1. Plug the battery charger (20) into the mains electricity supply (the mains voltage and frequency must be compatible with the battery charger values shown on the machine serial number plate).



NOTE

When the battery charger is connected to the electrical mains, all machine functions are automatically cut off. The screen shows charging.

2. When the screen power is 100%, the battery charging cycle is complete.
3. Disconnect the battery charger plug (20) from the mains and place it in its holder (19).
4. Carefully lower the recovery tank (3).
5. Now the machine is ready to be used.



NOTE

For further information about the operation of the battery charger (26), see the relevant Manual.

MENU INTERFACE FOR DIFFERENT USERS

The machine contains four types of users, and the menu pages for each user will be different.

- TRAINEE USER
- BASIC USER
- ADVANCED USER
- SUPERVISOR USER

Menu Interface (Fig. 12)

1. Press start/stop button (62) and enter password to start machine.
2. Press the setting button (68) into the menu interface.
3. Select the item you want to set through the touch screen.

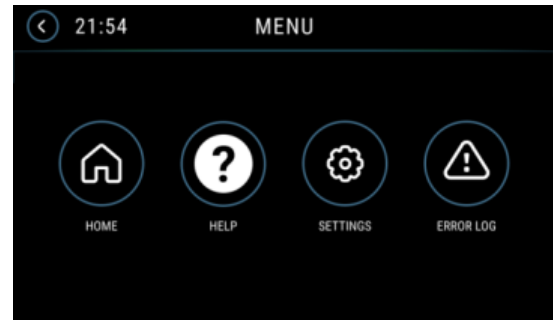


Figure 12

Machine Help Interface (Fig. 13 a)

It contains the following modules, which can help the operator quickly familiarize with the machine.

1. QUICK START (Simple and clear view instructions)
2. HOW TO VIDEOS (Video operating instruction)
3. TRAINING MODE (Step-by-step guidance)
4. USER MANUAL (Detailed electronic manual.)

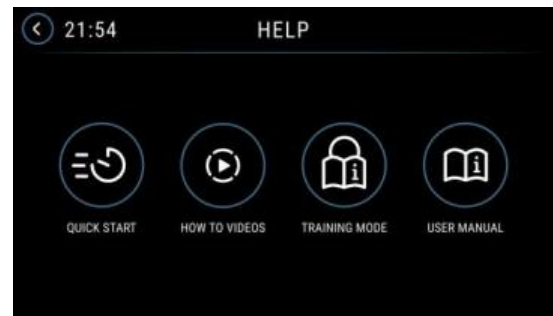


Figure 13 a

Machine Settings Interface (Fig. 13 b)

The following items allow you to make settings.

1. SCREEN BRIGHTNESS
2. TIME & REGION
3. LANGUAGE
4. DETERGENT PURGE (Cleaning the piping systems and pre-filling operations of new pipelines.)
5. MACHINE INFO

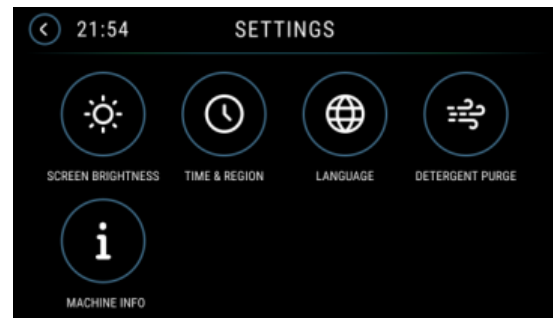


Figure 13 b

Machine Settings Interface (Fig. 13 c) Only for SUPERVISOR USER

The following items allow you to make settings.

1. MACHINE SETTINGS
2. USER ACCESS
3. TIME & REGION
4. LANGUAGE
5. CONNECTIVITY (option)
6. PRESET SETTINGS
7. KEY FOB SETUP (option)
8. MACHINE INFO

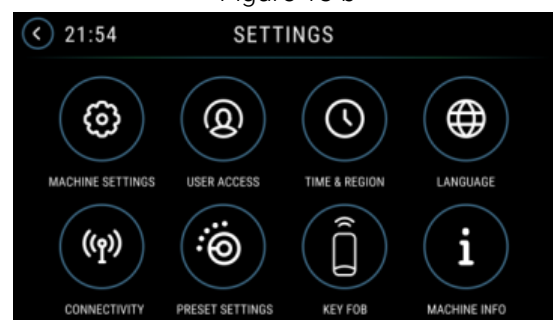


Figure 13 c

Machine Error log Interface (Fig. 13 d)

Help the operator understand the status of the machine and the history of error reporting.

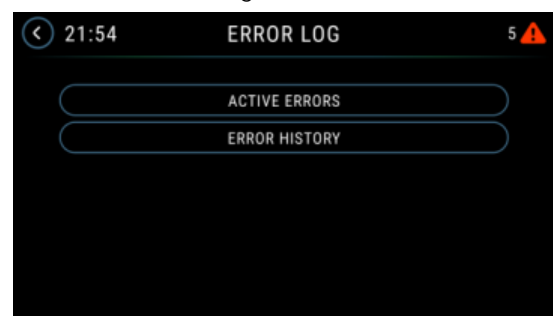


Figure 13 d

MODIFIABLE PARAMETERS					
Code	Description		Min. Value	Factory Setting	Max. Value
CHM1	Detergent concentration level 1		1:500 (0.25 %)	1:250(0.40%)	1:33 (3 %)
CHM2	Detergent concentration level 2		1:500 (0.25 %)	1:125 (0.80 %)	1:33 (3 %)
CHAS	Detergent alarm sound		OFF	ON-Always	ON
				ON-30sec	
P1/P3	Level 1 solution flow rate in relation to level 3 (see section "System for Flow Rate Regulation as Function of Speed")	Single	0 %	25 %	100 %
		Dual	0 %	21 %	100 %
			0 %		
		REV	0 %	25 %	100 %
	Cylindrical	0 %	36 %	100 %	
P2/P3	Level 2 solution flow rate in relation to level 3 (see section "System for Flow Rate Regulation as Function of Speed")	Single	0 %	50 %	100 %
		Dual	0 %	50 %	100 %
		REV	0 %	50 %	100 %
		Cylindrical	0 %	77 %	100 %
P3	Level 3 solution flow rate	Single	1.0 cl/m	3.0 cl/m	5.0 cl/m
		Dual	1.0 cl/m	3.6 cl/m	5.0 cl/m
		REV	1.0 cl/m	1.5 cl/m	5.0 cl/m
		Cylindrical	1.0 cl/m	2.8 cl/m	5.0 cl/m
P4	Level 4 solution flow enable		OFF	OFF	ON
SPT	EcoFlex function timer		0 (disabled)	60 sec.	300 sec.
FVMIN	Minimum forward speed		0 %	5%	100 %
FVMAX	Maximum forward speed		10 %	100 %	100 %
RVMAX	Maximum reverse speed		10 %	40 %	50 %
WVMAX	Maximum working speed		10%	100%	100%
BRMAX	Maximum brush speed		0%	90%	100%
BAT	Installed battery type		0	10(ACE)	10
TOFF	Inactivity Time		0 (disabled)	4mins	10mins
BRGH	Screen Brightness		1	16	16
VRID	Vacuum power in silent mode (value of PWM)		10%	20%	80%
VRIN	Vacuum power in normal mode (value of PWM)		10%	38%	80%
RPM1	Reduced brush rpm activation threshold		5	9	20
RPM2	Reduced brush rpm activation threshold		5	15	20
RESET	Restore factory settings for all parameters		OFF	OFF	ON

SQUEEGEE CLEANING**NOTE**

The squeegee must be clean and its blades must be in good conditions in order to get a good drying.

**WARNING!**

It is advisable to wear protective gloves when cleaning the squeegee because there may be sharp debris.

1. Drive the machine on a level floor.
2. Ensure that the machine is off.
3. Loosen the handwheels (13) and remove the squeegee (11).
4. Wash and clean the squeegee. In particular, clean the compartments (A, Fig. 14) and the vacuum hole (B). Check the condition of the front (C) and rear (D) blades, ensuring there are no cuts and tears; if necessary, replace them as shown below.
5. Install the squeegee in the reverse order of removal.

SQUEEGEE BLADE CHECK AND REPLACEMENT

1. Clean the squeegee as shown in the previous paragraph.
2. Check the condition of the front (C, Fig. 14) and rear (D) blades, ensuring there are no cuts and tears; if necessary, replace them as shown below. Check that the front corner (E) of the rear blade is not worn; otherwise, turn the blade to replace the worn corner with one of the three remaining intact corners. If the other corners are worn too, replace the blade according to the following procedure:
 - Using the tab (F), release and remove the elastic strap (G) from the fasteners (H), then turn or replace the rear blade (D).
 - Install the blade in the reverse order of removal. Fasten the elastic strap (G) to the fasteners (H) starting from one side. To make the fastening procedure easier, secure the fasteners one at a time, by locking the strap before the fastener with one hand (M) and pulling it with the other hand (N).
 - Unscrew the handwheels (I) and remove the strap (J), then turn or replace the front blade (C).
 - Install the blade in the reverse order of removal.
3. Install the squeegee (11) and screw down the handwheels (13).
4. Lower the squeegee to the floor to check the height of the blades, proceeding as follows:
 - Check that the lip (K) of the front blade (C) and the lip (L) of the rear blade (D) are resting as shown in the figure.
 - Use the knob (24) to make adjustments.

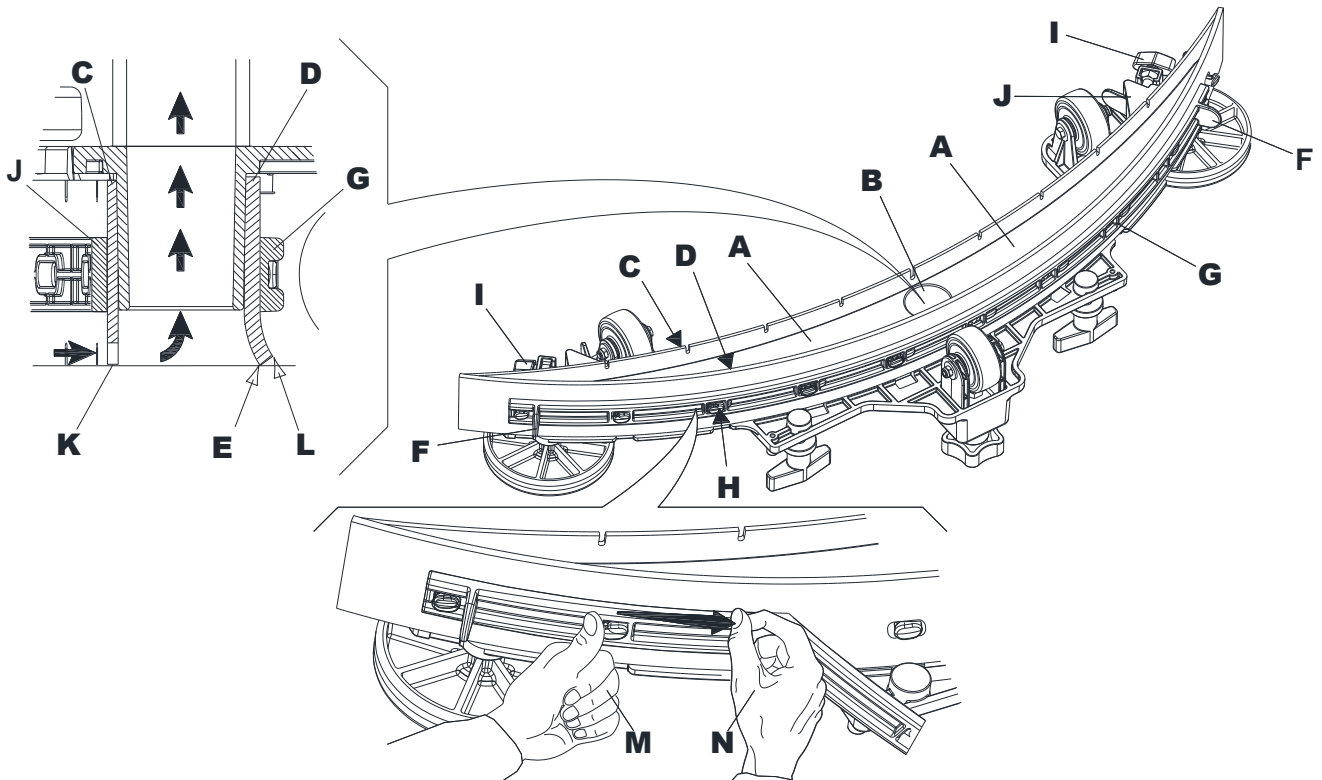


Figure 14

CLEANING THE BRUSH



WARNING!

It is advisable to wear protective gloves when cleaning the brush because there may be sharp debris.

1. Remove the brush as shown in Use/Operation chapter.
2. Clean the brush with water and detergent.
3. Check the condition of the brush bristles, ensuring they are not excessively worn; if necessary, replace the brush.

RECOVERY TANK CLEANING

1. Drive the machine to the appointed disposal area.
2. Turn off the machine with press start/stop button (62).
3. Raise the cover (2).
4. Wash the inside of the tank (3) and the cover with clean water.
5. Drain the water in the tank through the hose (18).
6. Clean the vacuum grid (30), release the fasteners (A, Fig. 15), open the grid (B) and recover the float (C) then clean it carefully and reinstall it.
7. Remove the debris collection tank (D) and open its cover, then clean it carefully and reinstall it on the vacuum hose.
8. Check the condition of the tank cover gasket (E). If necessary, replace the gasket (E) by removing it from its housing (F). When fitting the new gasket, position the joint (G) in the lower area, as shown in the figure.



NOTE

The gasket (E) allows the creation of a vacuum in the tank, which is necessary to suck up the recovery water.

9. Check that the seating surface (H) of the gasket (E) is in good condition, clean and suitable to form a seal with the gasket itself.
10. Close the cover (2).

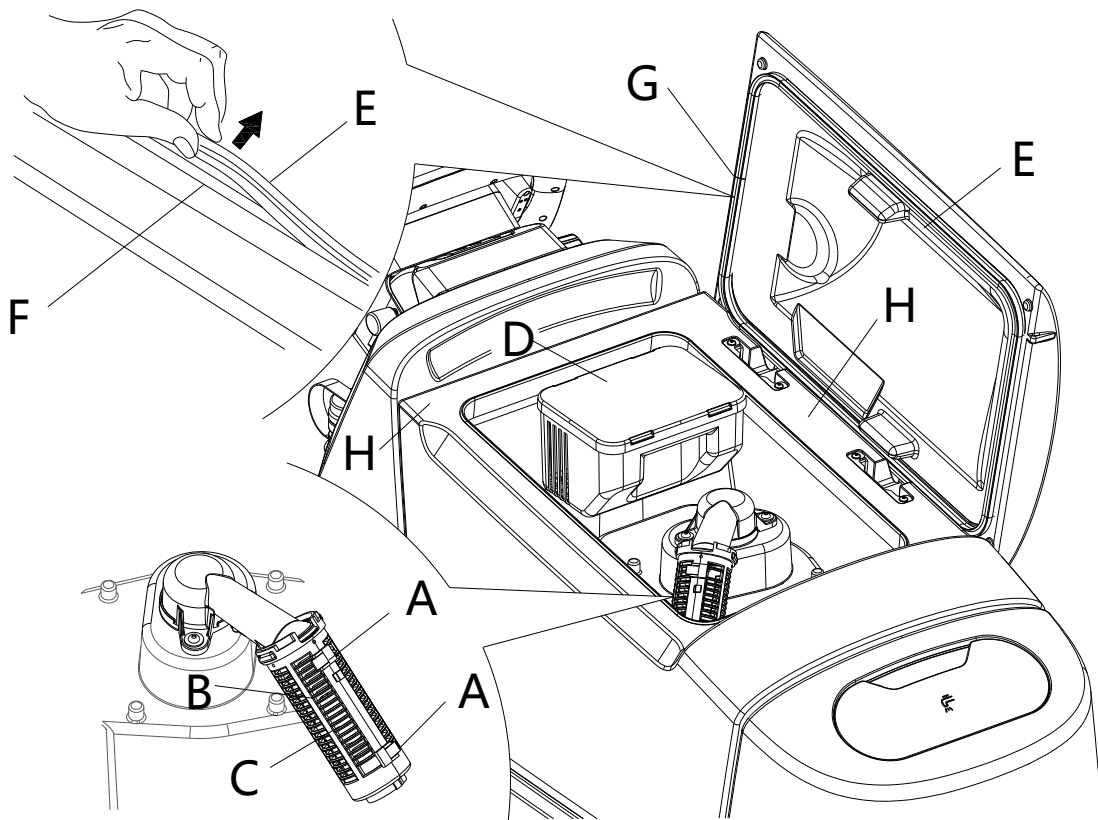


Figure 15

SOLUTION FILTER CLEANING

1. Drive the machine on a level floor.
2. Ensure that the machine is off.
3. Close the detergent solution tank valve (A, Fig. 16). The valve is closed when it is in position (B) and it is open when it is in position (C).
4. Remove the filter cover (D) and the gasket (E), then remove the filter strainer (F). Wash and rinse them, then refit them carefully onto the filter support (G).



NOTE

Be careful to prevent the loss of the gasket (E) during cleaning. Make sure the gasket (E) is installed in the correct position on the filter cover (D).

5. Open the valve (A).

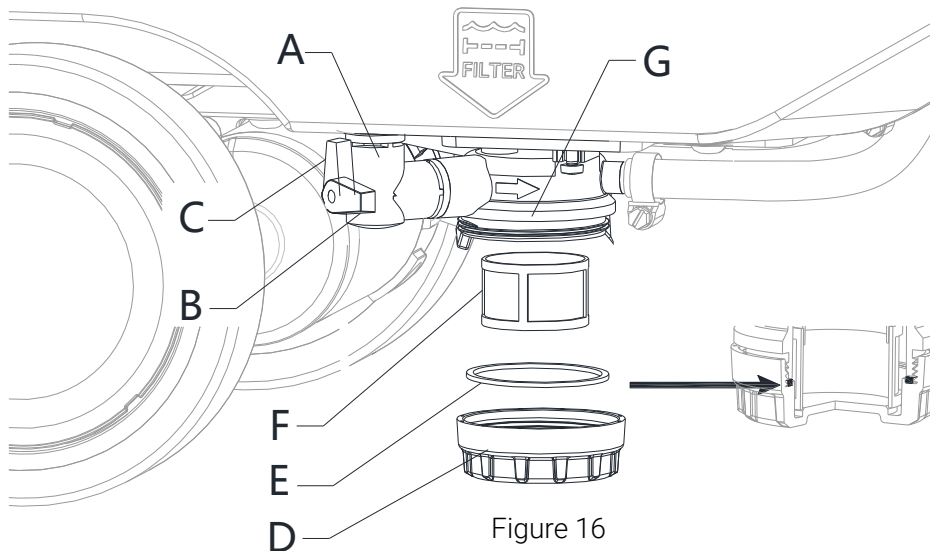


Figure 16

DEBRIS HOPPER CLEAN (FOR CYLINDRICAL DECK ONLY)

1. Drive the machine on a level floor.
2. Ensure that the machine is off.
3. Pull the debris hopper (A, Fig. 17) from the side, then clean it carefully and reinstall it on the deck. Suggest clean it at the end of the shift.
4. Pull up rubber cover (B) and clean sink (C) to make sure all holes are not blocked. Reinstall the rubber cover (B) after cleaning.

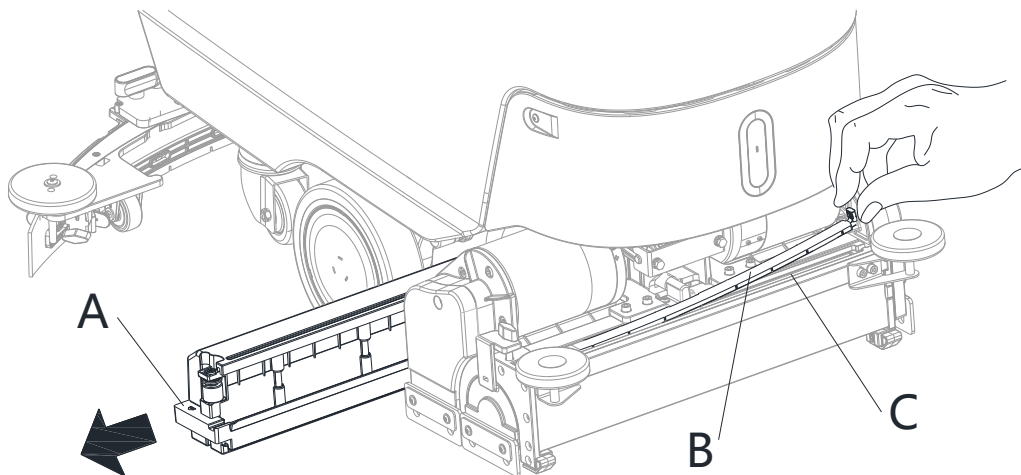


Figure 17

MACHINE TRACKING ADJUSTMENT

(For single disc only)

The machine tracking (straight movement) may vary according to the type of floor to be cleaned and depending on whether the brush or the pad is used.

If it is difficult to keep the machine moving straight as it tends to pull to the left or to the right with the brush deck lowered and during cleaning, adjust the handwheel (38) by turning it clockwise or counter-clockwise to correct this pull and obtain a generally neutral straight-ahead movement.

DETERGENT TANK CLEANING

(For machines with EcoFlex system)

Clean the detergent tank (35) as follows.

1. Drive the machine to the appointed disposal area.
2. Ensure that the machine is off.
3. Lift the cover (2) and check that the recovery tank (3) is empty; if not, empty it using the drain hose (18).
4. Close the cover (2).
5. Grasp the handle (6) and carefully lift the tank (3).
6. Unscrew the cap (A, Fig. 18) from the detergent tank (B).
7. Remove the detergent tank (B).
8. Rinse and wash out the tank with clean water in the appointed disposal area.
9. Replace the detergent tank (B) as shown in the figure, then refit the plug (A).
10. When the detergent tank has been drained, it may be necessary to drain the EcoFlex system too (see procedure in following section).

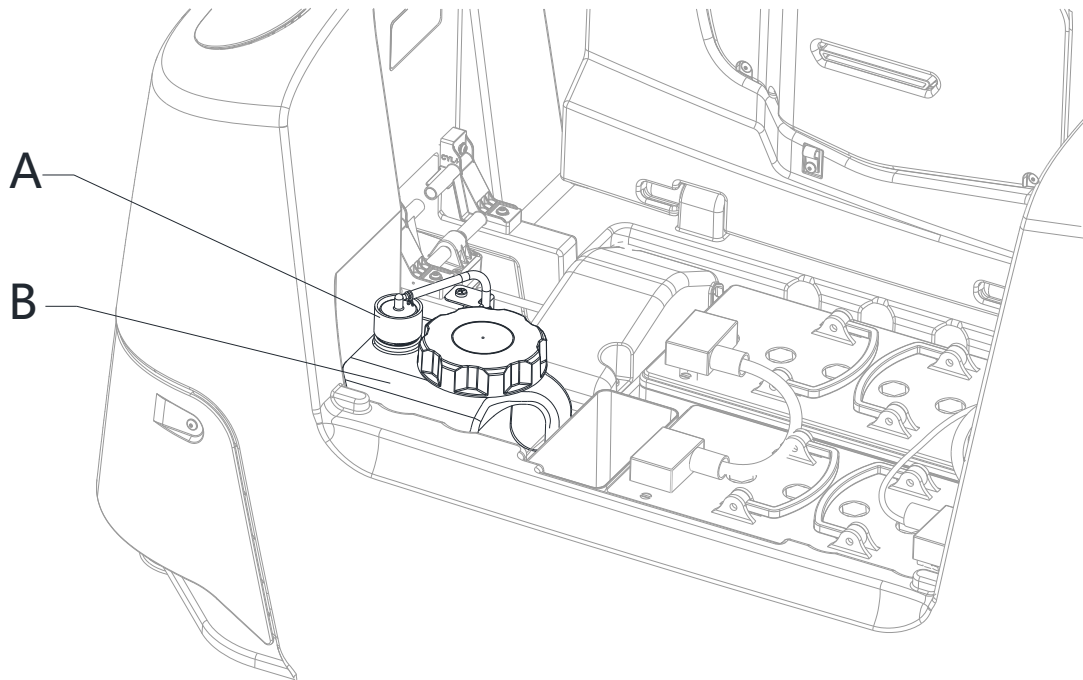


Figure 18


DRAINING THE ECOFLEX SYSTEM


(For machines with EcoFlex system)

Clean the detergent tank as shown in the previous section.

To remove residual detergent from the detergent hoses and pump, proceed as follows.

1. Check that the detergent quantity by visual inspection. Make sure the tank is half full of clean water.
2. Press start/stop button (62) and enter password to start machine.

3. Press the setting button (68) into the menu interface. Select the DETERGENT PURGE  in setting interface. Complete the

cleaning process according to the on-screen instructions. When the program is finished, this icon  will appear and will return to the setting interface after 2 seconds.

4. Turn off the machine with start/stop button (62).
5. Raise the tank (3), then check that the detergent tank hose (35) is empty; if not, perform steps 2 to 5 again.

NOTE



The draining cycle lasts about 30 seconds. The draining cycle can also be performed with the detergent tank (35) full of water, thus cleaning the system thoroughly. It is advisable to perform DETERGENT PURGE to clean the EcoFlex system from dirt and deposits if the machine has not been used/cleaned for a long time. The DETERGENT PURGE can also be performed to quickly fill the detergent supply hose when the tank (35) is full but the system is still empty. If necessary, the DETERGENT PURGE can be performed several times in succession.

FUSE CHECK/REPLACEMENT

NOTE



All machine electrical circuits are protected by auto-resettable electronic devices. The safety fuses activates only in case of serious damage. It is recommended to have the fuses replaced by qualified personnel only. Refer to the Service Manual available at any Nilfisk Retailer.

TROUBLESHOOTING

TROUBLE	POSSIBLE CAUSE	REMEDY
The dirty water vacuuming is insufficient.	The recovery tank is full.	Empty the tank.
	The vacuum grid is clogged or the float is stuck closed.	Clean the vacuum grid.
	Debris collection filter container clogged.	Clean.
	The hose is disconnected from the squeegee.	Connect.
	The squeegee is dirty or the squeegee blades are worn or damaged.	Clean the squeegee or overturn/replace the blades.
	The tank cover is not properly closed, or the gasket is damaged.	Correctly close the cover or clean/replace the gasket.
The solution flow is insufficient.	Empty detergent solution tank.	Refill.
	The solution filter is dirty.	Clean the filter
	The EcoFlex system tank (optional) is dirty/encrusted.	Clean with the drain cycle.
The squeegee leaves marks on the floor.	There is debris under the squeegee blades.	Remove the debris.
	The squeegee blades are worn, chipped or torn.	Overturn or replace the blades.
	The squeegee has not been balanced with the handwheel.	Adjust the squeegee.
The display (52) shows an alarm message of the following type: WARNING ALARM Code	The screen will display the possible causes.	Operate according to the on-screen prompts. Turn off the machine and then turn it on again. If the problem persists, contact an authorised Service Center.

**NOTE**

If the machine has been purchased with an on-board battery charger, the machine cannot operate if this device is not on board. In case of battery charger malfunction, contact an authorised Service Center

For any further information, contact Nilfisk Service Centers.

SCRAPPING

Have the machine scrapped by a qualified scrapper.

Before scrapping the machine, remove and separate the following materials, which must be disposed of properly according to the Law in force:

- Batteries
- Brushes
- Plastic hoses and components
- Electrical and electronic components (*)

(*) Refer to the nearest Nilfisk Center especially when scrapping electrical and electronic components.

Machine material composition and recyclability

Type	Recyclable percentage	Weight %			
		Single disc deck	Dual disc deck	CYL deck	REV deck
Aluminum	100%	8 %	8 %	8 %	8 %
Electric motors - various	29 %	30 %	35 %	33 %	29 %
Ferrous materials	100%	4 %	4 %	4 %	5 %
Wiring harness	80 %	3%	2%	3%	3%
Liquids	100%	0 %	0 %	0 %	0 %
Plastic - non-recyclable material	0 %	3%	2%	3%	3%
Plastic - recyclable material	100%	12 %	11 %	11 %	12 %
Polyethylene	92 %	37 %	35 %	35 %	37 %
Rubber	20 %	2 %	2 %	2 %	2 %

ÍNDICE

INTRODUCCIÓN.....	2
FINALIDAD Y OBJETO DE ESTE MANUAL	2
DESTINATARIOS.....	2
CÓMO GUARDAR ESTE MANUAL.....	2
DECLARACIÓN DE CONFORMIDAD	2
DATOS DE IDENTIFICACIÓN	2
OTROS MANUALES DE REFERENCIA	2
PIEZAS DE REPUESTO Y MANTENIMIENTO	2
CAMBIOS Y MEJORAS.....	2
CARACTERÍSTICAS DE FUNCIONAMIENTO	2
CONVENCIONES.....	3
DESEMBALAJE/ENTREGA	3
SEGURIDAD	3
SÍMBOLOS VISIBLES EN LA MÁQUINA	3
SÍMBOLOS QUE APARECEN EN EL MANUAL.....	4
INSTRUCCIONES GENERALES	4
DESCRIPCIÓN DE LA MÁQUINA.....	7
ESTRUCTURA DE LA MÁQUINA	7
PANEL DE CONTROL	9
ACCESORIOS/OPCIONES.....	9
DATOS TÉCNICOS.....	10
ESQUEMA ELÉCTRICO.....	11
USO/FUNCIONAMIENTO	14
NUEVA CREACIÓN DE USUARIO E INTERFAZ DE INICIO DE SESIÓN	14
CONTROL/PREPARACIÓN DE LA BATERÍA EN LA MÁQUINA NUEVA.....	14
INSTALACIÓN DE LAS BATERÍAS	15
ANTES DE LA PUESTA EN MARCHA DE LA MÁQUINA.....	15
PUESTA EN MARCHA Y PARADA DE LA MÁQUINA.....	18
FUNCIONAMIENTO DE LA MÁQUINA (LAVADO/SECADO)	19
VACIADO DE LOS DEPÓSITOS.....	21
DESPUÉS DEL USO DE LA MÁQUINA	21
PERIODO DE LARGA INACTIVIDAD DE LA MÁQUINA	21
MANTENIMIENTO	22
ESQUEMA DE MANTENIMIENTO PROGRAMADO	22
CARGA DE LA BATERÍA	23
INTERFAZ DE MENÚ PARA DIFERENTES USUARIOS.....	24
LIMPIEZA DE LA BOQUILLA	26
CONTROL Y SUSTITUCIÓN DE LAS HOJAS DEL LIMPIADOR.....	26
LIMPIEZA DEL CEPILLO.....	27
LIMPIEZA DEL DEPÓSITO DEL AGUA DE RECUPERACIÓN	27
LIMPIEZA DEL FILTRO DE LA SOLUCIÓN DETERGENTE	28
TOLVA DE ESCOMBROS LIMPIA (SOLO PARA CABEZAL CILÍNDRICO)	28
AJUSTE DE LA MARCHA RECTILÍNEA DE LA MÁQUINA.....	28
LIMPIEZA DEL DEPÓSITO DEL DETERGENTE.....	29
PURGA DEL SISTEMA ECOFLEX.....	30
CONTROL/SUSTITUCIÓN DE LOS FUSIBLES.....	30
LOCALIZACIÓN AVERÍAS	31
ELIMINACIÓN	32

INTRODUCCIÓN



NOTA

Los números entre paréntesis hacen referencia a los componentes que se muestran en la sección Descripción de la Máquina.

FINALIDAD Y OBJETO DE ESTE MANUAL

Este manual contiene todas las informaciones necesarias para que el operador utilice la máquina de forma adecuada, autónoma y segura. Incluye informaciones inherentes a los datos técnicos, la seguridad, el funcionamiento, el almacenamiento, el mantenimiento, las piezas de repuesto y la eliminación. Antes de efectuar cualquier operación de mantenimiento, los operadores y los técnicos calificados tienen que leer cuidadosamente las instrucciones incluidas en este manual. En caso de dudas sobre la correcta interpretación de las instrucciones, consultar Nilfisk para obtener explicaciones.

DESTINATARIOS

Este manual es para los operadores y los técnicos encargados del mantenimiento de la máquina. Los operadores no deben efectuar procedimientos reservados a los técnicos calificados. Nilfisk no es responsable para los daños causados a la máquina por falta de observación de esta prohibición.

CÓMO GUARDAR ESTE MANUAL

El manual de instrucciones de uso debe conservarse junto a la máquina, dentro de su contenedor, lejos de líquidos y otras sustancias que podrían dañarlo.

DECLARACIÓN DE CONFORMIDAD

La declaración de conformidad, entregada con la máquina, certifica la conformidad de la máquina con las actuales disposiciones legales.



NOTA

La declaración de conformidad original está incluida por duplicado en la documentación en dotación a la máquina.

DATOS DE IDENTIFICACIÓN

El número de serie y el modelo de la máquina están marcados en la placa (14). Año de producción (Código de fecha: A17, se refiere a enero de 2017) y el número del modelo está marcados en la misma placa. Esta información es necesaria cuando se pidan piezas de repuesto para la máquina. Usar el espacio siguiente para escribir los datos de identificación de la máquina.

Modelo
Número de modelo
Número de serie

OTROS MANUALES DE REFERENCIA

- Manual del cargador de baterías electrónico, que debe considerarse parte integrante de este manual.
- Catálogo de piezas de repuestos (en dotación a la máquina)
- Manual de asistencia (lo puede consultar cerca de los Centros de asistencia Nilfisk)

PIEZAS DE REPUESTO Y MANTENIMIENTO

Para cualquier necesidad inherente al uso, mantenimiento y reparación, consulte al personal calificado o los Centros de asistencia Nilfisk. Usar siempre piezas de repuesto y accesorios originales. Para la asistencia o para ordenar piezas de repuesto o accesorios, acudir a Nilfisk, especificando siempre el nombre del modelo, el número de modelo y el número de serie.

CAMBIOS Y MEJORAS

Nilfisk está constantemente mejorando sus productos y se reserva el derecho de realizar modificaciones y mejoras a su discreción, sin verse obligada a aplicar dichas ventajas a las máquinas vendidas previamente. Sólo Nilfisk puede aprobar y efectuar cualquier modificación y/o instalación de accesorios.

CARACTERÍSTICAS DE FUNCIONAMIENTO

La fregadora/secadora SC550 es adecuada para limpiar (lavar y secar) suelos lisos y sólidos, en entorno comercial o industrial, en condiciones de seguridad, por parte de un operador calificado. La fregadora/secadora no es adecuada para limpiar alfombras o moqueta.

CONVENCIONES

En este Manual, las indicaciones de adelante, atrás, delantero, trasero, derecho e izquierdo, se refieren al operador en posición de conducción con las manos sobre el manillar (15).

DESEMBALAJE/ENTREGA

Para desembalar la máquina seguir cuidadosamente las instrucciones colocadas sobre el embalaje.

Al momento de la entrega, controlar con cuidado el embalaje y la máquina por si hayan sufrido daños durante el transporte. Si los daños son evidentes, conservar el embalaje, de forma que el transportista que lo ha entregado lo pueda inspeccionar. Contactarlo de inmediato para compilar una indemnización daños y perjuicios.

Controlar que la máquina sea entregada junto a los siguientes componentes:

Documentación técnica:

- Manual de instrucciones de uso de la fregadora/secadora y lista de piezas de repuesto (También se puede escanear el código QR de la derecha para obtenerlo).
- Manual del cargador de baterías electrónico (si está en dotación)



¡ATENCIÓN!

Los Productos a la venta en este Manual contienen, o pueden contener, productos químicos reconocidos por algunos gobiernos (como el Estado de California, según lo indica en su Proposición 65, Ley de Advertencia Regulatoria) como causantes de cáncer, defectos de nacimiento u otros daños reproductivos. En algunas jurisdicciones (incluido el Estado de California), los compradores de estos Productos que los coloquen en servicio en un emplazamiento laboral o en un espacio de acceso público tienen la obligación regulatoria de realizar determinados avisos, advertencias o divulgaciones respecto de los productos químicos contenidos o posiblemente contenidos en los Productos utilizados en tal lugar. Es la responsabilidad del comprador conocer y cumplir con todas las leyes y reglamentaciones relacionadas con el uso de estos Productos en tales entornos. El Fabricante niega toda responsabilidad de informar a los compradores sobre requisitos específicos que pueden regir el uso de los Productos en tales entornos.

SEGURIDAD

Los siguientes símbolos indican situaciones potencialmente peligrosas. Siempre lea atentamente esta información y tome todas las precauciones necesarias para salvaguardar a las personas y las propiedades.

Para evitar desgracias, la cooperación del operador de la máquina es fundamental. Ningún programa de prevención de accidentes resulta eficaz sin la total cooperación de la persona directamente responsable del funcionamiento de la máquina. La mayoría de los accidentes que pueden ocurrir en una empresa, durante el trabajo o los traslados, son causados por no observar las reglas de seguridad fundamentales. Un operador cuidadoso y cauto es la mejor garantía para evitar posibles accidentes y resulta más eficaz que cualquier programa de prevención.

SÍMBOLOS VISIBLES EN LA MÁQUINA



¡ADVERTENCIA!

Lea detenidamente todas las instrucciones antes de realizar cualquier operación en la máquina.



¡ADVERTENCIA!

No lave la máquina con chorros directos o agua a presión.



¡ADVERTENCIA!

No utilice la máquina en pendientes con un grado de inclinación superior al que se define en la especificación.

SÍMBOLOS QUE APARECEN EN EL MANUAL



¡PELIGRO!

Indica un peligro con riesgo, incluso mortal, para el operador.



¡ADVERTENCIA!

Indica un riesgo potencial de lesiones a las personas.



¡ATENCIÓN!

Indica una advertencia o una nota sobre una función importante o útil. Preste atención a los párrafos marcados con este símbolo.



NOTA

Indica una observación relacionada con funciones importantes o útiles.



CONSULTAS

Indica la necesidad de consultar el manual de instrucciones de uso antes de realizar cualquier procedimiento.

INSTRUCCIONES GENERALES

Advertencias y precauciones específicas para informar acerca de los posibles daños a las personas y a la máquina se muestran a continuación.



¡PELIGRO!

- Antes de efectuar cualquier operación de mantenimiento, reparación, limpieza o procedimiento de sustitución, apague la máquina y desconecte el conector de baterías.
- Sólo los operadores cualificados pueden usar esta máquina.
- Quitarse las joyas cuando se trabaja cerca de los componentes eléctricos.
- No trabajar bajo la máquina levantada si ésta no está fijada con los soportes de seguridad adecuados.
- No activar la máquina en un ambiente donde haya polvo, líquidos o vapores nocivos, peligrosos, inflamables y/o explosivos. Esta máquina no es adecuada para la recogida de polvos peligrosos.
- Si se usan baterías de plomo (WET), tener chispas, llamas y materiales fumantes lejos de las baterías. Durante el uso normal pueden salir gases explosivos.
- Si se usan baterías de plomo (WET), cargando las baterías se produce gas hidrógeno muy explosivo. Levante el depósito de recuperación durante las operaciones de carga de las baterías y efectuar la carga solo en áreas muy bien ventiladas y lejos de llamas libres.
- Tener chispas, llamas y materiales incandescentes lejos de la batería. Durante el funcionamiento normal se liberan gases explosivos.
- Leer todas las advertencias de seguridad y todas las instrucciones. La inobservancia de las advertencias e instrucciones puede provocar descargas eléctricas, incendios y/o lesiones graves.



¡ADVERTENCIA!

- Antes de efectuar cualquier operación de mantenimiento/reparación, leer cuidadosamente todas las instrucciones relacionadas.
- No usar ningún otro tipo de pilas; usar únicamente la que se suministra con la máquina o su pieza de repuesto original.
- Antes de cada uso, compruebe si la máquina está dañada.
- No la sumerja en líquidos.
- Recargue solo con el cargador especificado por el fabricante. Un cargador que es adecuado para un tipo de paquete de batería puede crear un riesgo de incendio cuando se usa con otro paquete de batería.
- En condiciones adversas, el líquido puede ser expulsado de la batería; evite el contacto. Si el contacto ocurre accidentalmente, enjuague con agua. Si el líquido entra en contacto con los ojos, busque además ayuda médica. El líquido expulsado de la batería puede causar irritación o quemaduras.
- Cuando el paquete de batería no esté en uso, manténgalo alejado de otros objetos metálicos, como clips de papel, monedas, llaves, clavos, tornillos u otros objetos metálicos pequeños que puedan hacer una conexión de un terminal a otro. El cortocircuito de los terminales de la batería puede causar quemaduras o un incendio.

- **No usar un paquete de baterías o equipo que esté dañado o modificado. Las baterías dañadas o modificadas pueden tener un comportamiento impredecible que puede provocar incendios, explosiones o riesgo de lesiones.**
- **Siga las instrucciones de carga y no cargue el paquete de baterías o equipo fuera del rango de temperatura especificado en estas instrucciones. La carga incorrecta o a temperaturas fuera del rango especificado puede dañar la batería y aumentar el riesgo de incendio.**
- **No exponga un paquete de batería o aparato al fuego o a temperaturas excesivas. La exposición al fuego o a una temperatura superior a 130°C puede causar una explosión.**
- **Haga que un reparador cualificado realice el mantenimiento utilizando solo piezas de repuesto idénticas. Esto garantizará que se mantenga la seguridad del producto.**
- **No modifique ni intente reparar la batería.**
- **No almacenar, usar ni recargar en ambientes con una temperatura superior a 45°C.**
- **No recargue con temperaturas inferiores a 0°C.**
- **Debido al riesgo de cortocircuito, no almacene la batería con objetos metálicos.**
- **Si la batería está dañada, llévela a un Centro de Servicio Nilfisk.**
- **Antes de poner fuera de servicio la máquina, retire la batería.**
- **Guarde el cargador de batería en un lugar seco.**
- **Si el cargador o el cable de la batería están mojados, no lo use.**
- **No usar el cargador de batería en ambientes donde haya polvos inflamables y/o materiales explosivos.**
- **No cubra el cargador de batería.**
- **Usar siempre el cargador de batería suministrado con la máquina o la pieza de repuesto original. Primero, apague la máquina. Y, a continuación, desconecte la batería del aparato antes de realizar cualquier ajuste, cambiar accesorios o guardar el aparato. Tales medidas preventivas de seguridad reducen el riesgo de encender el aparato accidentalmente.**
- **Use los equipos solo con paquetes de baterías específicamente designados. El uso de cualquier otro paquete de baterías puede crear un riesgo de lesiones e incendio.**
- **Mantenga el paquete de batería, incluidos los canales de ventilación y las áreas de contacto limpios de suciedad y humedad.**
- **Evite que la suciedad y la humedad se introduzcan en el paquete de batería durante la limpieza.**
- **Antes de usar el cargador de baterías, asegurarse de que la frecuencia y la tensión indicadas en la placa del número de serie de la máquina coincidan con la tensión de la red.**
- **No tirar o transportar la máquina por el cable del cargador de baterías; no utilizar el cable como manilla. No cerrar el cable del cargador de baterías en una puerta o tirarlo sobre bordes o ángulos afilados. No conduzca la máquina sobre el cable del cargador de baterías.**
- **Mantenga el cable del cargador de baterías lejos de superficies calientes.**
- **No usar la máquina si el cable del cargador de baterías y el enchufe están dañados. Si la máquina no funciona correctamente, está dañada, quedada al exterior o bañada, llévela a un Centro de asistencia.**
- **Para reducir el riesgo de incendio, descarga eléctrica o lesiones, antes de realizar cualquier procedimiento de mantenimiento, desconecte el cable del cargador de baterías de la red eléctrica.**
- **No fumar cuando se carga la batería.**
- **Proteger siempre la máquina del sol, lluvia y otras intemperie, tanto durante el funcionamiento como durante los períodos de inactividad. Esta máquina debe usarse y almacenarse en interiores en condiciones secas, no se debe usar o tener al aire libre en condiciones de humedad.**
- **Antes de usar la máquina, cerrar todos los portillos y/o las tapas como indicado en el Manual de instrucciones de uso.**
- **Esta máquina no debe ser utilizada por personas (incluidos niños) con capacidades físicas, sensoriales o mentales reducidas, o con falta de experiencia y conocimientos.**
- **Los niños deben ser supervisados para asegurarse de que no jueguen con el aparato.**
- **Tenga mucho cuidado cuando se utiliza cerca de niños.**
- **No use con finalidades diferentes de aquellas indicadas en este manual. Use sólo los accesorios recomendados por Nilfisk.**
- **Controlar con cuidado la máquina antes de usarla, comprobar que se hayan montados correctamente todos los componentes antes de usarla. El uso de la máquina no perfectamente montada puede causar lesiones a personas y daños a los aparatos.**
- **Tomar todas las precauciones necesarias para que el pelo, las joyas y las ropas no sean capturados por las partes móviles de la máquina.**
- **No utilice la máquina en pendientes con un grado de inclinación superior al que se define en la especificación.**
- **No inclinar la máquina con un ángulo superior al valor indicado en la máquina misma, para no perjudicar la estabilidad.**
- **No usar la máquina en ambientes demasiado polvorientos.**
- **Usar la máquina sólo en áreas con suficiente iluminación.**
- **Cuando se usa esta máquina, tener cuidado de salvaguardar la incolumidad de personas y cosas.**
- **No choque contra estanterías o andamios de los que puedan caer objetos.**
- **No apoyar contenedores de líquidos sobre la máquina, usar el portabebidas.**
- **La temperatura de la máquina en trabajo debe estar entre los 0°C y los +40°C.**
- **La temperatura de almacenamiento de la máquina debe estar entre los 0°C y los +40°C.**
- **La humedad debe estar entre el 30% y el 95%.**
- **Cuando se usan detergentes, seguir las instrucciones y advertencias indicadas en las etiquetas de los frascos.**

- Cuando se usan detergentes, usar guantes y protecciones adecuadas.
- No usar la máquina como vehículo de transporte.
- No permitir que el cepillo funcione mientras la máquina está parada en un punto para evitar posibles daños al suelo.
En caso de incendio usar un extintor de polvo, no de agua.
- No adulterar por ninguna razón la máquina, respetar escrupulosamente las instrucciones previstas para el mantenimiento ordinario.
- No dejar que material extraño entre en las aperturas. No use la máquina si las aperturas están obstruidas. Las aperturas deben mantenerse libre de polvo, hilacha, pelos y cualquier otro cuerpo extraño que pueda reducir el flujo de aire.
- No quitar ni modificar las placas colocadas en la máquina.
- Para desplazar manualmente la máquina es necesario desactivar el freno electromagnético. Tras haber desplazado la máquina manualmente, volver a activar el freno electromagnético. Non usar la máquina si el freno electromagnético está desactivado.
- Si se desplaza la máquina mediante empuje por causas de servicio (falta de baterías, baterías descargadas, etc.), no superar la velocidad de 4 km/h.
- Esta máquina no puede ser utilizada en calles o vías públicas.
- Tenga cuidado durante el traslado de la máquina en condiciones de temperatura muy baja. El agua en el depósito de recuperación o en los tubos, podría congelarse y dañar la máquina.
- Use solo los cepillos suministrados con la máquina o aquellos especificados en el Manual de Instrucciones de Uso. Utilizar otros cepillos puede perjudicar la seguridad.
- Cuando la máquina no funciona correctamente, asegurarse de que esto no sea causado por falta de mantenimiento. En caso contrario, pedir la intervención del personal autorizado o del Centro de asistencia autorizado.
- Si deben sustituirse piezas, solicitar piezas de repuesto ORIGINALES a un Concesionario y/o Revendedor autorizado.
- Para asegurar condiciones de funcionamiento correcto y seguro, el personal autorizado o el Centro de asistencia autorizado debe llevar a cabo el mantenimiento programado según las especificaciones indicadas en el capítulo relacionado de este manual.
- No lavar la máquina con chorros de agua directa o presurizada, o con sustancias corrosivas.
- Nunca se debe abandonar la máquina al final del ciclo vital, por la presencia de materiales tóxicos y dañinos (baterías, aceites, etc.) sujetos a normativas que exigen que se realice la eliminación cerca de centros especiales (véase el capítulo Eliminación).
- Esta máquina solo debe usarse con la unidad de alimentación proporcionada con el aparato.
- La máquina solo debe suministrarse a una tensión de seguridad extrabaja correspondiente a la indicación del aparato.
- Esta máquina es para uso comercial, por ejemplo en hoteles, escuelas, hospitales, fábricas, tiendas y oficinas y negocios de alquiler.
- Las operadores deberán haber recibido la capacitación adecuada para usar este tipo de máquinas.
- Observe el peso bruto del vehículo (GVW) de la máquina cuando cargue, maneje, eleve o sostenga la máquina.
- No mire a los haces del láser utilizados por la máquina. Puede sufrir daños permanentes en los ojos. Los láseres son seguros para la vista, si se los mira brevemente, solo para ver que estén funcionando. No mire directa ni fijamente al láser sin usar gafas de protección.
- Para evitar usos no autorizados de la máquina, la fuente de energía debe apagarse o bloquearse, por ejemplo apagando la máquina.
- Las máquinas desatendidas deberán estar protegidas ante cualquier movimiento involuntario.

Los productos Nilfisk aprobados contra 61000-6-8 deben incluir las siguientes declaraciones en el manual:

Este equipo cumple con los requisitos para ubicaciones comerciales e industriales ligeras cuando se instala y mantiene profesionalmente.

La instalación y el mantenimiento serán realizados por un profesional EMC.

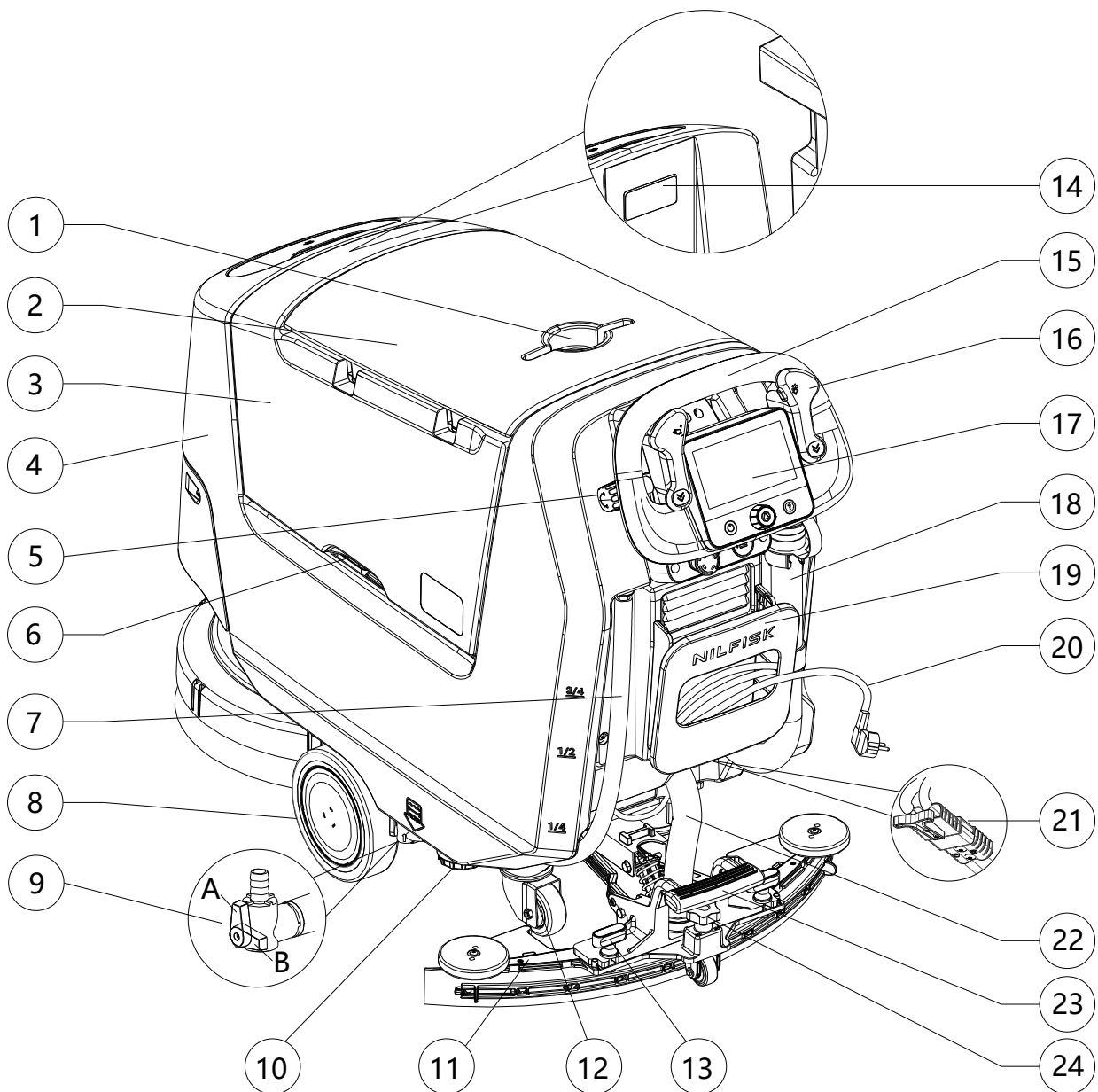
El instalador profesional deberá evaluar la situación EMC antes de la instalación, si el equipo está instalado a menos de 30 m de una zona residencial.

Atención: Este equipo no está destinado para su uso en zonas residenciales y no garantizará una protección adecuada para la recepción de radio en dichos lugares.

DESCRIPCIÓN DE LA MÁQUINA

ESTRUCTURA DE LA MÁQUINA

1. Portaobjetos
2. Tapa del depósito de recuperación
3. Depósito de recuperación
4. Depósito de la solución detergente
5. Perilla de bloqueo del manillar (T)
6. Empuñadura de levantamiento depósitos
7. Tubo de nivel y de descarga de la solución detergente
8. Ruedas delanteras de tracción
9. Grifo de la solución detergente:
 - A) Válvula abierta (T)
 - B) Válvula cerrada (T)
10. Filtro de la solución (T)
11. Limpiador
12. Ruedas traseras giratorias
13. Empuñaduras de fijación del limpiador (T)
14. Placa número de serie/datos técnicos/marcación de conformidad
15. Manillar de conducción
16. Asa accionamiento trabajo y marcha adelante /atrás
17. Panel de control
18. Tubo de drenaje agua de recuperación (T)
19. Portadocumentos y alojamiento del cable del cargador de baterías
20. Cable del cargador de batería
21. Conector (rojo) de las baterías.
22. Tubo de aspiración del limpiador
23. Pedal de subida/bajada del limpiador
24. Empuñadura de ajuste del limpiador (T) Punto de contacto con color azul

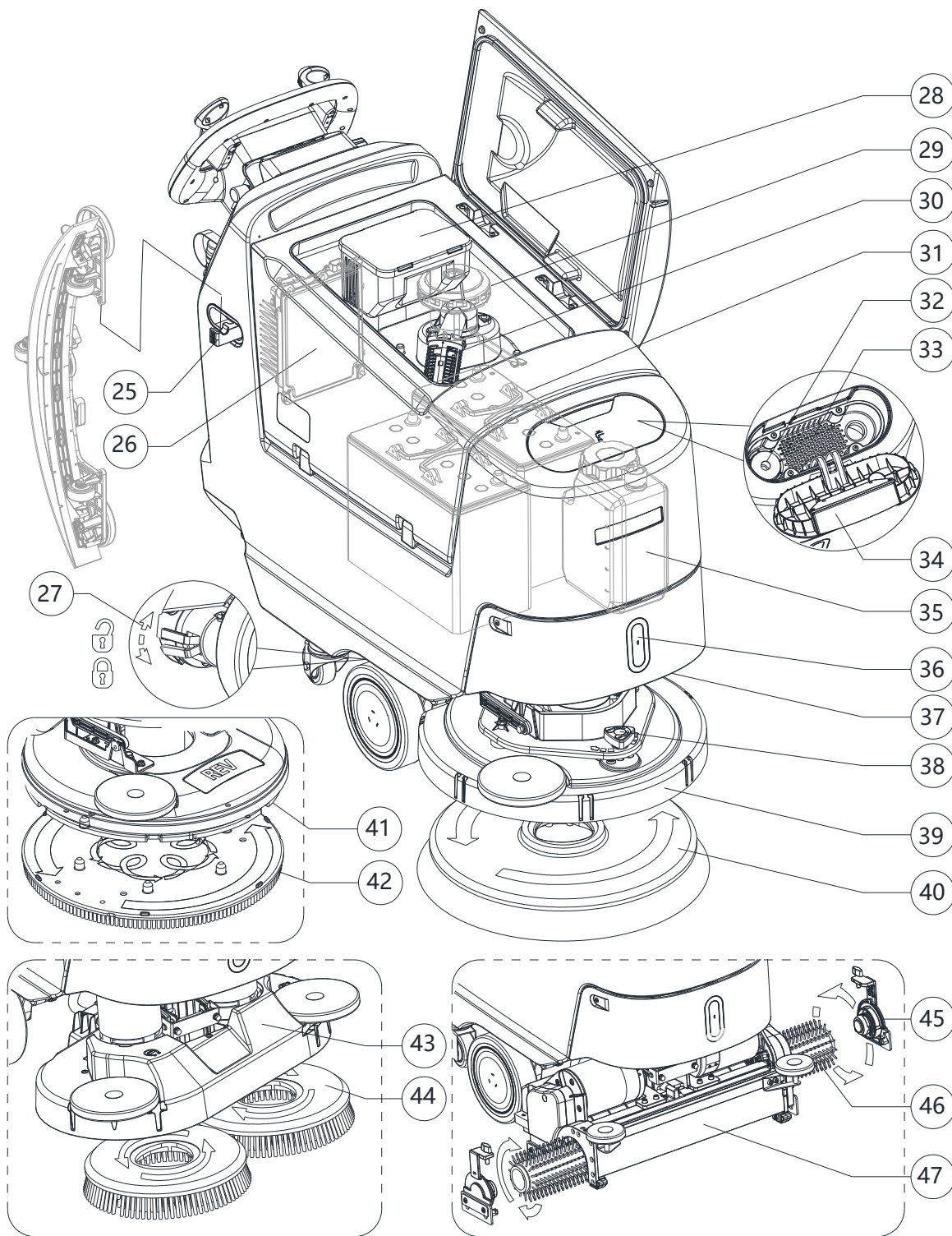


ESTRUCTURA DE LA MÁQUINA (Sigue)

- 25. Gancho del limpiador (T)
- 26. Cargador de baterías
- 27. Palanca de bloqueo/desbloqueo del freno electromagnético
- 28. Depósito de recogida de los residuos (T)
- 29. Motor del sistema de aspiración
- 30. Rejilla de aspiración con sistema de cierre automático de flotador
- 31. Baterías
- 32. Tubo extraíble para cargar el agua (T)
- 33. Llenado frontal del depósito de la solución
- 34. Tapa llenado frontal depósito de la solución (T)
- 35. Contenedor tanque de detergente EcoFlex
- 36. Luz frontal/Luz frontal con láser (*)
- 37. Panel frontal
- 38. Perilla de ajuste de la marcha rectilínea

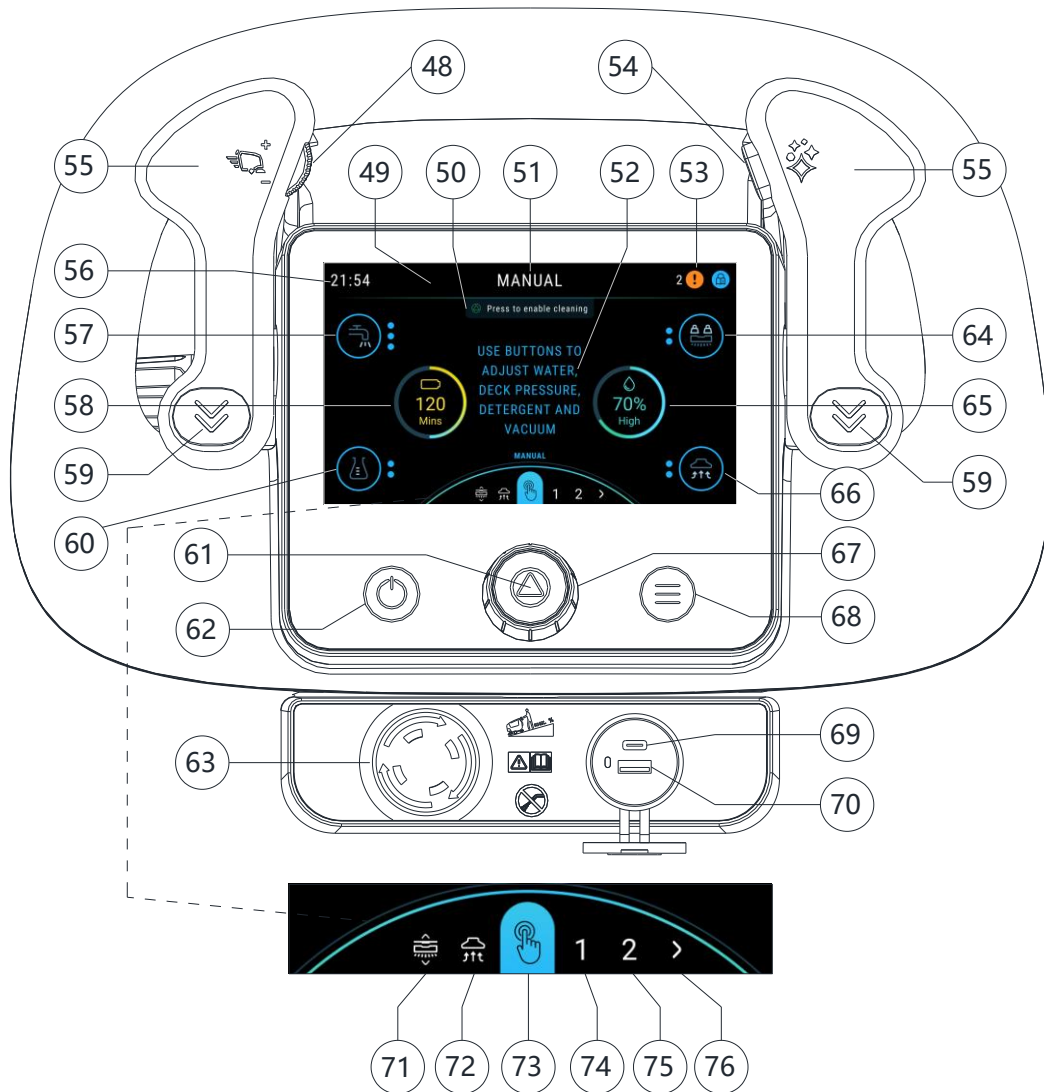
- 39. Cabezal de fregado con cepillo de disco
- 40. Cepillo de disco individual
- 41. Cabezal REV (R)
- 42. Cepillo REV (R)
- 43. Cabezal de fregado con cepillo de disco doble (D)
- 44. Cepillo de disco doble (D)
- 45. Gancho lateral cepillo cilíndrico (C)
- 46. Cepillo cilíndrico (C)
- 47. Cabezal de fregado con cepillo cilíndrico (C)

- (*) Opcional para la versión BASIC
- (R) Sólo para versión REV
- (D) Solo para la versión de disco doble
- (C) Sólo para versión cilíndrica
- (T) Punto de contacto con color azul



PANEL DE CONTROL

- 48. Disco de control de velocidad (T)
 - 49. Cabecera
 - 50. Área de indicaciones
 - 51. Nombre preestablecido
 - 52. Área de información
 - 53. Área de estado
 - 54. Botón de aumento de potencia (T)
 - 55. Pala marcha adelante
 - 56. Reloj
 - 57. Botón nivel de agua (solo en modo manual)
 - 58. Gráfico del nivel de la batería
 - 59. Pala marcha atrás
 - 60. Botón nivel de detergente (solo en modo manual)
 - 61. Botón de selección encendido/apagado
 - 62. Botón de encendido
 - 63. Botón parada de emergencia
 - 64. Botón cabezal presión (solo en modo manual)
 - 65. Gráfico del nivel de agua
 - 66. Botón de aspiración (solo en modo manual y modo aspiración)
 - 67. Disco inteligente (T)
 - 68. Botón menú
 - 69. Tipo-C
 - 70. USB-A
 - 71. Modo clic encendido / apagado cepillo (solo máquina de disco de cepillo)
 - 72. Solo Modo de aspiración
 - 73. Modo manual
 - 74. Modo preestablecido 1
 - 75. Modo preestablecido 2
 - 76. Más modos preestablecidos
- (T) Punto de contacto con color azul



ACCESORIOS/OPCIONES

Además de los componentes instalados en la versión estándar, la máquina puede equiparse con los siguientes accesorios/opciones, según el uso específico:

- Baterías de GEL / baterías de iones de litio
- Cargador de baterías electrónico
- Cepillos de diferentes materiales
- Filtros de diferentes materiales
- Dispositivo de conectividad
- Carrito
- Parasalpicaduras
- Otro material de hojas
- EcoFlex
- Sistema de llenado automático
- KIT FOB
- Soporte fregona

Para informaciones suplementarias sobre estos accesorios opcionales, acudir al Revendedor autorizado.

DATOS TÉCNICOS

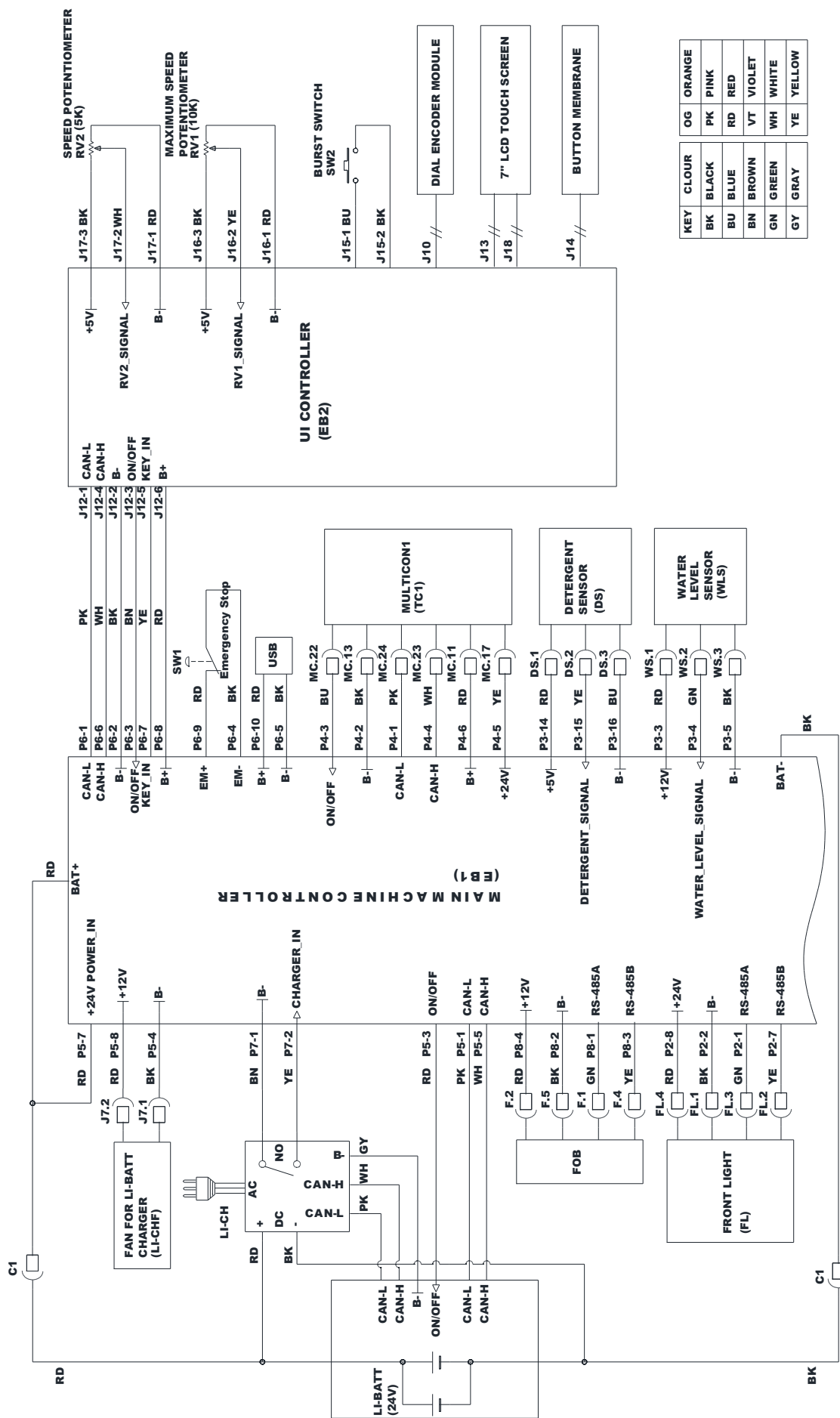
Modelo	SC550 53D	SC550 61D	SC550 51C	SC550 51R
Depósito de la solución	13.2 US gal (50 liters)			
Depósito de recuperación	13.2 US gal (50 liters)			
Dimensiones de la máquina (L x w x h)	52.36x21.3x41.3 in (1330x540x1050 mm)	52.8x26.8x41.3 in (1340x680x1050 mm)	50.8x23.2x41.3 in (1290x590x1050 mm)	53.5x21.3x41.3 in (1360x540x1050 mm)
Ancho del limpiador	29in (730mm)	32 in (810mm)		29in (730mm)
Ancho de fregado	21 in/20 in (530 mm/508 mm)	24 in (610 mm)	20 in (508 mm)	20 in (508 mm)
Diámetro ruedas de tracción	7.8 in (200 mm)			
Presión máxima específica al suelo de las ruedas de tracción (GVW)	75 psi (0.52 N/mm ²)	74 psi (0.51 N/mm ²)	73 psi (0.5 N/mm ²)	71 psi (0.49 N/mm ²)
Diámetro rueda trasera	3.2 in (80 mm)			
Presión máx específica al suelo de la rueda trasera (GVW)	297 psi (2.05 N/mm ²)	203 psi (1.4 N/mm ²)	280 psi (1.93 N/mm ²)	284 psi (1.96 N/mm ²)
Soporte presión cepillo/máx	33 lb/66 lb (15 kg/30 kg)	55 lb /66 lb (25 kg/30 kg)	48.5 lb (22 kg)	48.5 lb /66 lb (22 kg/30 kg)
Valores del flujo de la solución	0,75/1,5/3,0 cl/meter	0,90/1,8/3,6 cl/meter	1,0/1,83/2,8 cl/meter	0,38/0,75/1,5 cl/meter
Modo de flujo completo de la solución	0.98 gpm (3,7 liter/minute)			
Porcentaje de detergente sistema EcoFlex	Ratio 1:400 ÷ 1:33 (0.25 % ÷ 3 %)			
Nivel presión sonora a la oreja del operador (ISO 11201, ISO 4871, EN 60335-2-72) (LpA) Modo normal / Modo silencioso	63±3 dB(A)/ 56±3 dB(A)	65±3 dB(A) / 61±3 dB(A)	65±3 dB(A)/ 59±3 dB(A)	65±3 dB(A) / 62±3 dB(A)
Nivel potencia sonora de la máquina (ISO 3744, ISO 4871, EN 60335-2-72) (LwA) Modo normal/Modo silencioso	75 dB(A) / 71dB(A)	80 dB(A) / 75 dB(A)	77 dB(A) / 76 dB(A)	78 dB(A) / 77 dB(A)
Nivel de vibración al brazo del operador (ISO 5349-1, EN 60335-2-72)	< 98.4 in/s ² (< 2.5 m/s ²)			
Inclinación máxima cuando se trabaja (*1)	10 %			
Potencia del motor del sistema de tracción	24V/0.27 hp (24V/200 W)			
Velocidad de conducción	0 - 3.1 mi/h (0 - 5 km/h)			
Motor de aspiración	24V/0.48 hp (24V/350 W)			
Capacidad del circuito del sistema de aspiración Modo normal/Modo silencioso	Normal: 29.9 in H ₂ O (760 mm H ₂ O) Silent: 16.1 in H ₂ O (410 mm H ₂ O)			
Motor cepillo	24V/0.6 hp (24V/450 W)	(2x) 24V/0.6 hp ((2x) 24V/450 W)	(2x) 24V/0.4 hp ((2x) 24V/300 W)	24V/0.48 hp (24V/350 W)
Velocidad del cepillo	120 rpm	120 rpm	600 rpm	-
Entrada tensión nominal (*2)	1.1 hp (830 W)	0.85 hp (630 W)	0.9 hp (680 W)	0.76 hp (560 W)
Grado de protección IP	X4			
Clase de protección (eléctrica)	III			
Tamaño del compartimento de las baterías (L x w x h)	13.8x13.8x10.2 in (350x350x260 mm)			
Tensión del sistema	24V			
Baterías estándar de iones de litio de 50Ah*1	24V 50Ah			
Cargador de baterías de iones de litio	24V 27.1A			
Tiempo de funcionamiento máximo de iones de litio 50Ah (*) Modo ECO (50Ah 1pieza)	3.7 hour	3.4 hour	3.6 hour	3.8 hour
Tiempo de funcionamiento máximo de iones de litio 50Ah (*) Modo normal (50Ah 1 unidad)	3.6 hour	3 hour	2.8 hour	3.2 hour
Peso sin baterías y con los depósitos vacíos	231 lb (105 kg)	254 lb (115 kg)	245 lb (111kg)	234 lb (106 kg)
Peso bruto del vehículo con batería de iones de litio (50Ah) (GVW)	381 lb (173 kg)	403 lb (183 kg)	395 lb (179 kg)	384 lb (174 kg)
Peso de envío con batería de iones de litio (50Ah) (embalaje completo)	326 lb (148 kg)	348 lb (158 kg)	340 lb (154 kg)	329 lb (149 kg)

(*) Los valores reflejan las condiciones de trabajo estándar (EN 60335-2-72)

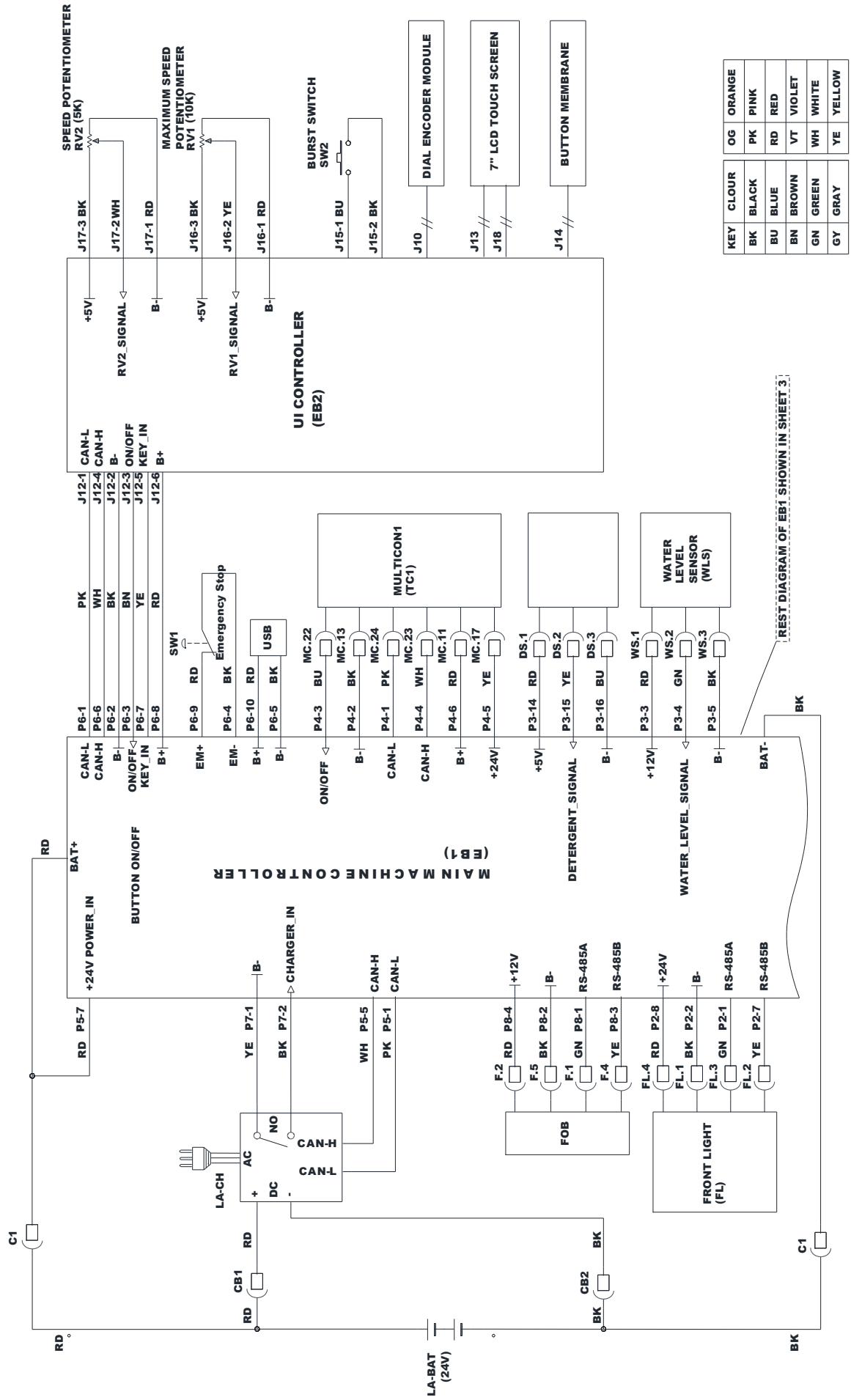
(*1) La longitud máxima de uso continuo en pendientes tendrá que ser inferior a 20 metros.

ESQUEMA ELÉCTRICO

(SISTEMA BATERÍAS DE IONES DE LITIO)



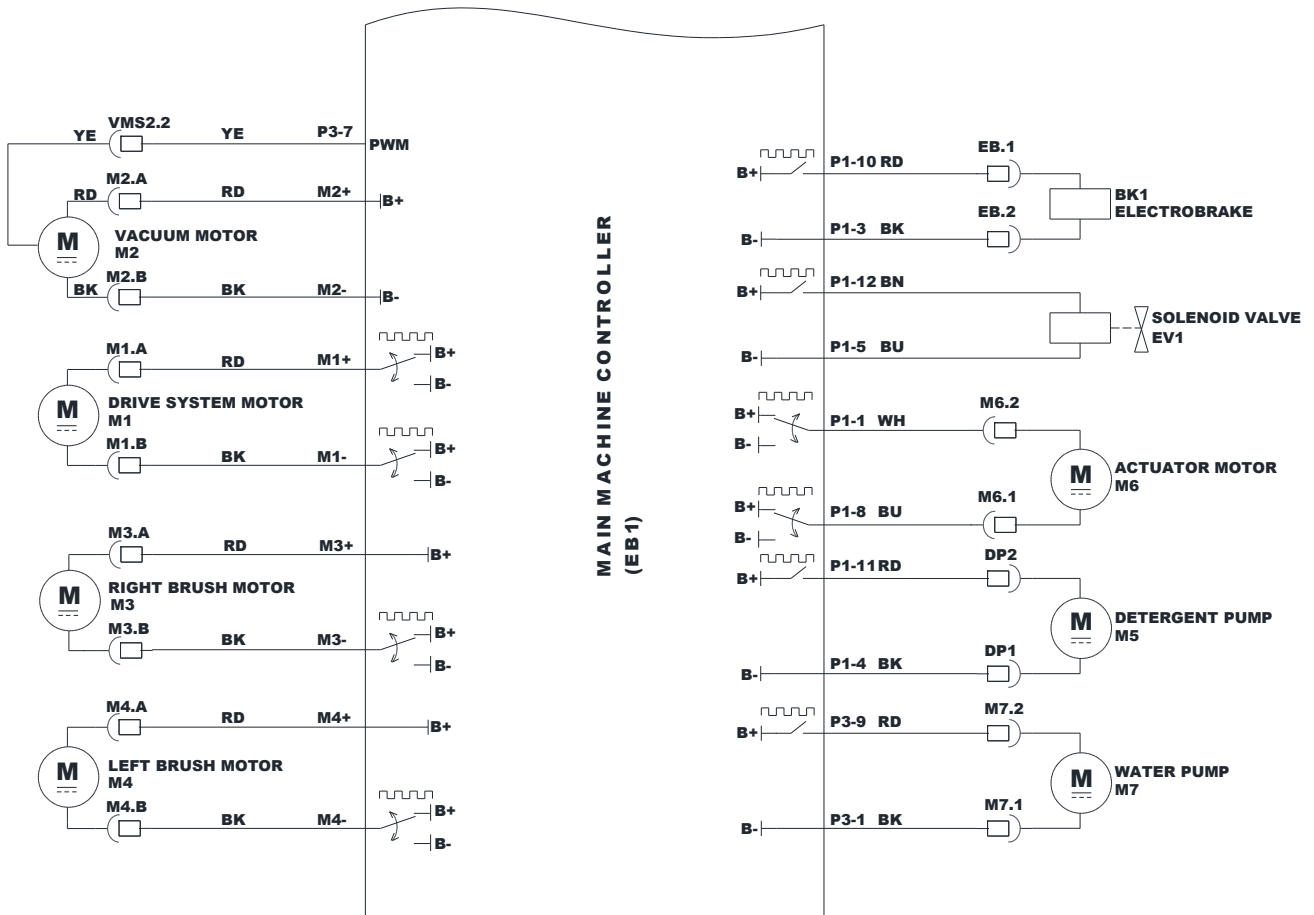
ESQUEMA ELÉCTRICO
(SISTEMA DE BATERÍA DE PLOMO)



REST DIAGRAM OF EB1 SHOWN IN SHEET 3.

ESQUEMA ELÉCTRICO

(PARTES COMUNES)



Legenda

LI-BAT	BATERÍAS DE IONES DE LITIO (24V 50Ah) SIP
LI-CH	CARGADOR BATERÍA DE IONES DE LITIO 24V 27A SIP
LI-CHF	VENTILADOR DC SIP
LA-BAT	BATERÍAS DE PLOMO
LA-CH	CARGADOR BATERÍA DE PLOMO
FOB	KIT FOB
FL	LUZ DELANTERA W LÁSER SIP LUZ DELANTERA SIP
EB1	CONTROLADOR PRINCIPAL DE LA MÁQUINA SIP
EB2	IU MÓDULO SIP
TC1	DISPOSITIVO DE CONECTIVIDAD
DS	SENSOR NIVEL DE DETERGENTE SIP
WLS	SENSOR NIVEL DE AGUA SIP
RV1	KIT DE AJUSTE DE VELOCIDAD DE LA PALA
RV2	POTENCIÓMETRO 5K SIP
M3	MOTOR ELÉCTRICO 350W 24V SIP REDUCCIÓN MOTORREDUCTOR 450W 24V SIP REDUCCIÓN MOTORREDUCTOR 450W 24V SIP MOTOR CYL 24V 300W 1500RPM SIP

M4	REDUCCIÓN MOTORREDUCTOR 450W 24V SIP MOTOR CYL 24V 300W 1500RPM SIP
M1	MOTOR DE TRACCIÓN 24V 200W KIT
M2	MOTOR DE ASPIRACIÓN BLDC 24V 350W SIP
M5	BOMBA DETERG MIX PERISTÁLTICA 24V SIP ACTUADOR 24V 550N 105MM SIP
M6	ACTUADOR LINEAL 24V DC STRK 120MM SIP ACTUADOR LINEAL 24V DC STRK 98MM SIP
M7	BOMBA DE LA SOLUCIÓN 24V 3.8L/MIN 40PSI SIP
EV1	ELECTROVÁLVULA 24V SIP
BK1	FRENO ELECTROMAGNÉTICO SIP
USB	PUERTA USB SIP
MÓDULO CODIFICADOR DISCO	IU MÓDULO SIP
MEMBRANA DE BOTÓN	IU MÓDULO SIP
PANTALLA TÁCTIL LCD DE 7"	IU MÓDULO SIP
SW1	INTERRUPTOR KIT DE EMERGENCIA
SW2	KIT DE ALTO RENDIMIENTO DE LA PALA F

Códigos color

BK	NEGRO
BU	BLUE
BN	BROWN
GN	VERDE
GY	GRIS
OG	NARANJA

PK	PINK
RD	RED
VT	MORADO
WH	BLANCO
YE	AMARILLO

USO/FUNCIONAMIENTO



¡ADVERTENCIA!

En algunos lugares de la máquina se encuentran algunas placas adhesivas que indican:

- PELIGRO
- ATENCIÓN
- ADVERTENCIA
- CONSULTAS

Leyendo este Manual, el operador tiene que aprender el sentido de los símbolos indicados en las placas (véase los Símbolos visibles en el apartado de la máquina).

Por ninguna razón estas placas deben cubrirse y si están dañadas tienen que sustituirse de inmediato.

NUEVA CREACIÓN DE USUARIO E INTERFAZ DE INICIO DE SESIÓN

1. Cuando la máquina se activa por primera vez, la máquina guiará la creación de una cuenta de "USUARIO SUPERVISOR". Esta es la máxima autoridad de la máquina, y el operador debe completar la creación de esta cuenta para proceder al siguiente paso.

El "USUARIO SUPERVISOR" puede crear más usuarios en la interfaz de configuración/acceso de usuario. (véase el apartado de la INTERFAZ DEL MENÚ en el capítulo Mantenimiento)

- Contraseña de "USUARIO EN PRÁCTICAS" (0000) Para primer uso/ nuevo operador. La principal diferencia es que se inicia en el modo de entrenamiento con todas las ventanas emergentes habilitadas.
 - Contraseña de "USUARIO BÁSICO" (Creado por "USUARIO SUPERVISOR") Para el usuario general, solo están disponibles los ajustes preestablecidos habilitados por el supervisor. (No hay modo manual disponible).
 - Contraseña de "USUARIO AVANZADO" (Creado por "USUARIO SUPERVISOR") Modo manual disponible. Posibilidad de detergente cambiar los ajustes / proporción detergente.
 - Contraseña de "USUARIO SUPERVISOR" (Creada cuando la máquina se activa por primera vez o creada por existir el "USUARIO SUPERVISOR") Todas las configuraciones y los ajustes preestablecidos disponibles, posibilidad de agregar nuevos usuarios, cambiar la configuración del cabezal, cambiar las baterías, etc.
2. Después de reiniciar la máquina, la máquina entrará en la interfaz de inicio de sesión de contraseña que se muestra en la Figura 1, a continuación introduzca su contraseña para iniciar la máquina.



Figura 1

CONTROL/PREPARACIÓN DE LA BATERÍA EN LA MÁQUINA NUEVA



¡ADVERTENCIA!

Los componentes eléctricos de la máquina pueden resultar seriamente dañados si las baterías están mal instaladas o conectadas.

Las baterías deben ser instaladas solamente por personal cualificado.

Antes de instalar las baterías, controlar que no estén dañadas.

Manipule las baterías con gran cuidado.

VERSIÓN BATERÍAS DE IONES DE LITIO: La máquina necesita al menos una batería de 24 V, conectadas según el esquema que se indica en la Figura 2.

VERSIÓN BATERÍA DE PLOMO: La máquina necesita de 2 baterías de 12 V, conectadas según el esquema que se indica en la Figura 3.

Baterías instaladas en la máquina y listas para su uso

1. Asegurarse de que el conector de las baterías (21) esté conectado.
2. Cuando se utiliza la máquina por primera vez con baterías nuevas, efectúe un ciclo de carga completo de las baterías (véase procedimiento en el capítulo Mantenimiento).

INSTALACIÓN DE LAS BATERÍAS



¡PELIGRO!

Esta máquina requiere una batería sellada de iones de litio de uso exclusivo.

Instalación baterías de iones de litio

1. Apagar la máquina con el botón de encendido /parada (62).
2. Desconectar el conector de la batería (21).
3. Levantar la tapa (2) y controlar que el depósito del agua de recuperación (3) esté vacío, si no vaciarlo mediante el tubo de descarga (18).
4. Cerrar la tapa (2).
5. Empuñar la manilla (6) y levantar el depósito (3) con cuidado.
6. Aflojar los tornillos para desmontar la tapa de la caja (si hay).
7. El operador debe desconectar primero el terminal positivo, después el cable de control y por último desconectar el terminal negativo de la batería y levantar un poco la batería, luego puede sacarla por el lado izquierdo o derecho.
8. Vuelva a colocar la batería nueva en la máquina y vuelva a conectar los terminales y el cable de control a la batería.

¡PELIGRO!

Para baterías de iones de litio de 24V 64Ah, prestar especial atención al conectar los pines de la batería. Conecte primero el cable negro a la patilla negativa (-) de la batería, después el cable de control y, por último, el cable rojo a la patilla positiva (+). Una conexión o secuencia errónea puede dañar la batería.



9. Cierre la tapa de la caja y vuelva a bloquear los tornillos que se aflojaron antes y por último cierre la tapa.

Carga de la batería

10. Efectuar un ciclo de carga completa de las baterías (véase procedimiento en el capítulo Mantenimiento).

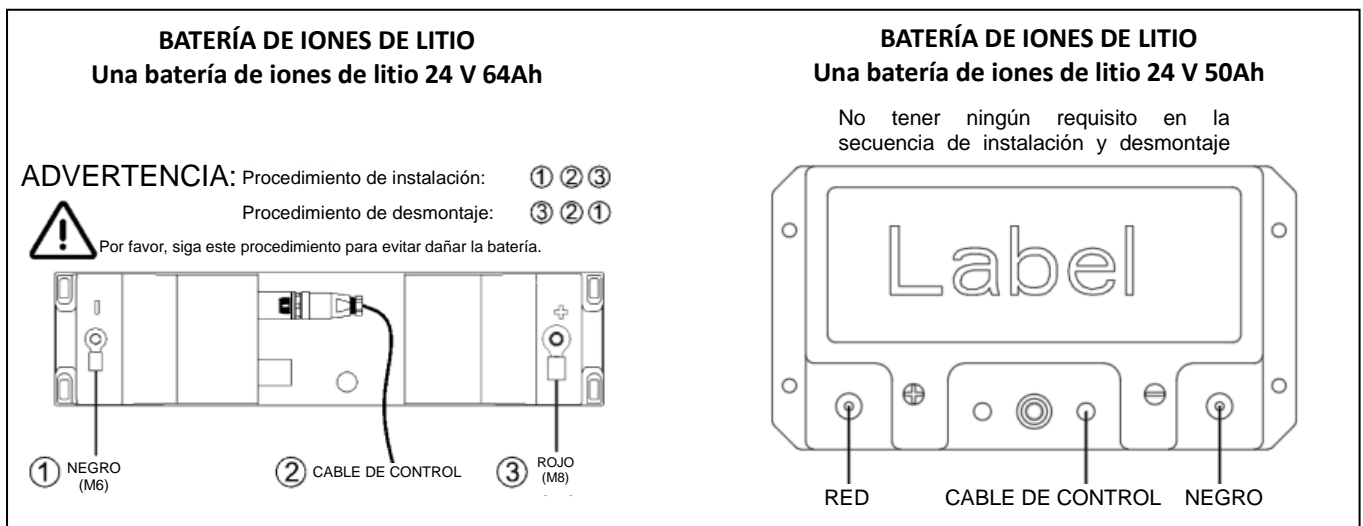


Figura 2

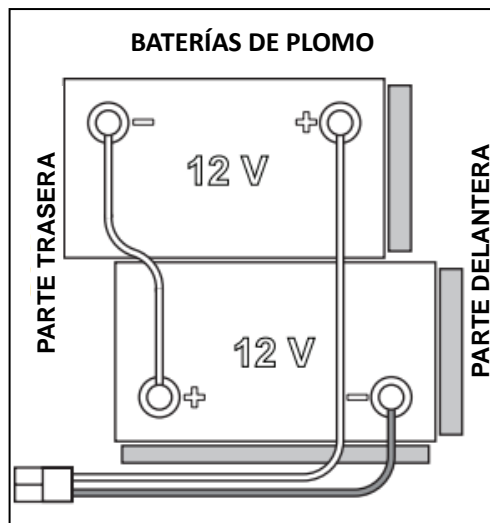


Figura 3

ANTES DE LA PUESTA EN MARCHA DE LA MÁQUINA



¡ADVERTENCIA!

Cuando se pone en marcha la máquina comprobar que no haya cuerpos extraños entre el cabezal y la estructura del depósito, que puedan obstaculizar la subida del cabezal. Si se ha apagado la máquina sin haber levantado el cabezal, cuando se va a poner de nuevo en marcha la máquina, el cabezal se levantará automáticamente.

Instalación/remoción del cepillo o del portafieltro (sistema de disco del cepillo)

En la máquina se pueden instalar tanto el cepillo (A, Fig. 4) como el portafieltro (B) con fieltro (C), según el tipo de tratamiento a efectuar.

1. Colocar el cepillo (A) o el portafieltro (B) bajo el cabezal de fregado (39) / cabezal de fregado con cepillo de disco doble (43).
2. Pulsar el botón de encendido/parada (62) e introducir la contraseña para arrancar la máquina. Botón giratorio (67) para seleccionar el modo clic encendido/apagado del cepillo (71), pulsar el botón de marcado (61) para confirmar.



3. Pulse el botón de fijar cepillo(s) en la pantalla para bajar el cabezal hacia el cepillo.
4. Los motores de los cepillos giran automáticamente hasta que el cepillo está enganchado.



¡ATENCIÓN!

Asegúrese de que el cepillo esté colocado directamente debajo y repita el procedimiento si no se instala bien. Balancear la máquina ligeramente de un lado a otro según la posición del cepillo puede mejorar la tasa de éxito de la instalación automática.

5. Para quitar el cepillo, se debe levantar el cabezal y girar el botón giratorio (67) para seleccionar el modo clic



encendido/apagado del cepillo. Pulsar el botón giratorio (61) para confirmar. Pulse el botón de desenganche del cepillo(s). El cepillo funcionará durante unos segundos y se detendrá, esperar hasta que el cepillo se baje al suelo.

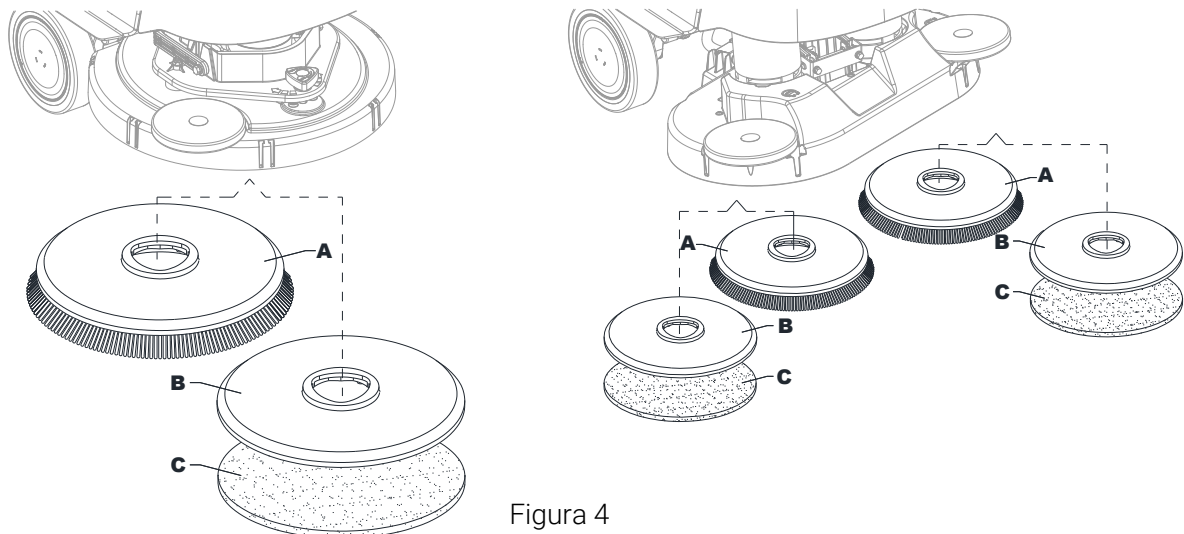


Figura 4

Tipos de cepillos disponibles y guía para su aplicación (sólo sugerencias)

Modelos	46 GRIT	80 GRIT	180 GRIT	240 GRIT	500 GRIT	PROLENE	PROLITE	UNION MIX
Limpieza general:								
Hormigón								
Suelo terraza								
Baldosas de cerámica/de cantera								
Mármol								
Baldosas de vinilo								
Baldosas de caucho								
Lustrado:								
Baldosas de caucho								
Mármol								
Baldosas de vinilo								

Instalación/remoción del portafiltro (sistema REV)

1. Asegurarse de que el cabezal REV (41) esté levantado.
2. Apagar la máquina con el botón de encendido /parada (62).
3. Según el tipo de limpieza a realizar, instalar el filtro (A, Fig. 5) o el cepillo (C, opcional), observando las siguientes indicaciones:
 - Colocar el filtro (A) bajo del cabezal y empujarlo hasta que se fije con el velcro del disco arrastrador (B).
 - Colocar el cepillo (C, opcional) bajo del cabezal y encajar las clavijas de centrado (D) en los respectivos agujeros en el disco arrastrador (B), y luego fijar el cepillo con los tres tornillos de montaje (E).
4. Para quitar el filtro o el cepillo, efectuar el procedimiento en el orden contrario.

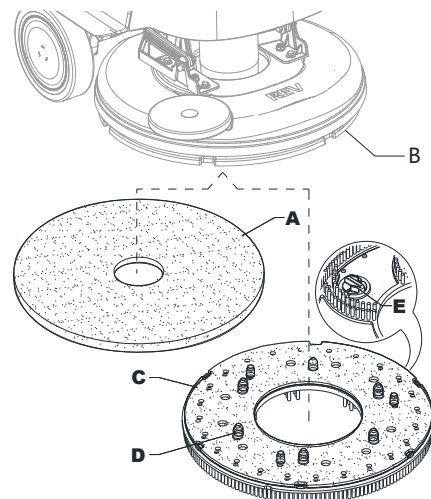


Figura 5

Instalación/remoción del cepillo (sistema Cilíndrico)

1. Asegurarse de que el cabezal cilíndrico (47) esté levantado.
2. Apagar la máquina con el botón de encendido /parada (62).
3. Según el tipo de limpieza a realizar, instalar el cepillo (A, Fig. 6) observando las siguientes indicaciones:
 - Soltar el tornillo (A) y quitar el gancho lateral (C) del cabezal de fregado (D).
 - Instalar el cepillo (B) en el cabezal (D). Instalar el gancho lateral (C) para el cepillo y bloquear el tornillo (A).
4. Para quitar el cepillo, efectuar el procedimiento en el orden contrario.

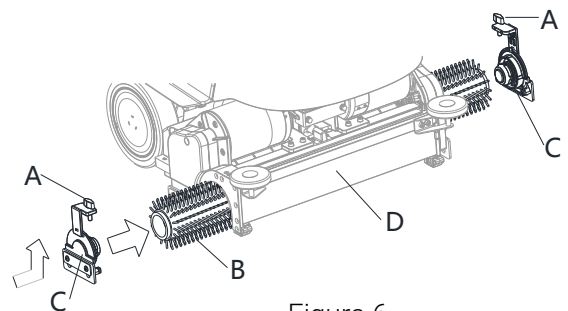


Figura 6

Instalación del limpiador

1. Instalar el limpiador (A, Fig. 7) y fijarlo con las empuñaduras (B) en la abrazadera (C).
2. Si necesario, regular el limpiador con la perilla (D) para que la hoja trasera (E) y delantera (F) toquen el suelo como indicado en la figura.

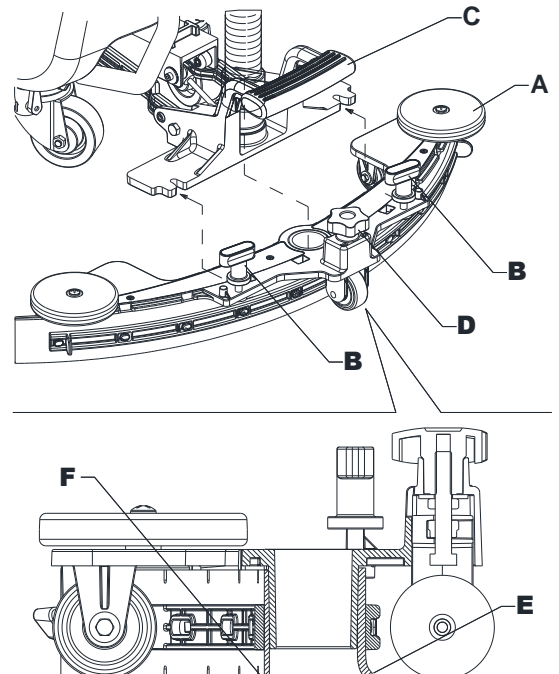


Figura 7

Llenado del depósito del detergente



¡ATENCIÓN!

Usar solo detergentes no inflamables y de baja espuma, indicados para el uso en fregadoras automáticas.



¡ADVERTENCIA!

Cuando se usan detergentes, seguir las instrucciones y advertencias indicadas en las etiquetas de los frascos.

Cuando se usan detergentes, usar guantes y protecciones adecuadas.



NOTA

Para la máquina equipada con sistema EcoFlex verter agua limpia en el depósito, o verter solución.

1. Asegurarse que el grifo de la soluciones detergente (9) esté en la posición de abierto (9-A).
2. Para llenar el depósito de la solución (4) utilizar el depósito frontal (33).

(Para máquinas sin sistema EcoFlex)

3. Rellenar el depósito (4) con una solución detergente adecuada. No llenar completamente el depósito, dejar unos centímetros del borde. Utilizar el tubo de nivel (7) como referencia. Seguir las instrucciones indicadas en la etiqueta para la dilución del producto químico usado para componer la solución detergente. La temperatura de la solución detergente no debe superar los 40°C.

(Para máquinas con sistema EcoFlex)

4. Llenar el depósito (4) con agua limpia. Usar el tubo extraíble para cargar el agua (32). No llenar completamente el depósito, dejar unos centímetros del borde. Utilizar el tubo de nivel (7) como referencia. La temperatura del agua no debe superar los 40°C.

Llenado del depósito del detergente (Para máquinas con sistema EcoFlex)

5. Levantar la tapa (2) y controlar que el depósito del agua de recuperación (3) esté vacío, si no vaciarlo mediante el tubo de descarga (18).
6. Cerrar la tapa (2).
7. Empujar la manilla (6) y levantar el depósito (3) con cuidado.
8. Rellenar el depósito (34) con un detergente adecuado (detergente de alta concentración). No llenar completamente el depósito del detergente, sino dejar unos centímetros del borde.

**NOTA**

Para acelerar el procedimiento de llenado de los tubos y el funcionamiento del sistema (en caso de sistema nuevo, de sistema vaciado para limpieza, etc.), podría ser útil efectuar uno o más ciclos de purga del sistema detergente. (véase el procedimiento en el capítulo Mantenimiento)

Ajuste del ángulo de la manija de funcionamiento

1. Asegúrese de que la máquina está apagada.
2. Desenrosque la perilla de bloqueo de la manija (5) hasta que el manillar (B, Fig. 8) se pueda mover.
3. Ajuste el ángulo de funcionamiento y bloquee a través de la perilla de bloqueo de la manija (A).

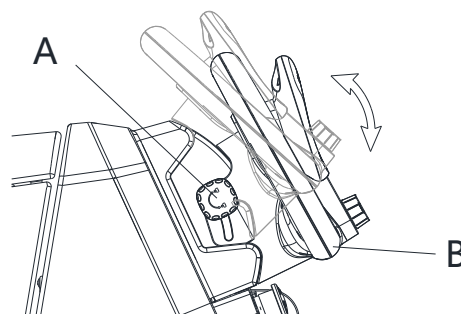


Figura 8

PUESTA EN MARCHA Y PARADA DE LA MÁQUINA**Puesta en marcha de la máquina**

1. Preparar la máquina como indicado en el párrafo anterior.
2. Pulsar el botón de encendido/parada (62). En los primeros 2 segundos después del arranque de la máquina, la pantalla muestra la interfaz de contraseña. Introducir la contraseña para iniciar la máquina.
3. La pantalla muestra la interfaz principal.

**NOTA**

Controlar el estado de carga de las baterías. Cuando en el símbolo batería (58) es bajo, hay que cargar las baterías (véase procedimiento en el capítulo Mantenimiento).

4. Llegar al lugar de trabajo poniendo en marcha la máquina con las manos sobre el manillar de conducción (15) y empujando el asa (16) hacia adelante para la marcha adelante y hacia atrás para la marcha atrás. La velocidad de marcha se puede regular con una presión mayor o menor en el asa (16). La máxima velocidad se puede configurar la perilla de ajuste de la velocidad (48).

Parada de la máquina

5. Parar la marcha de la máquina soltando la pala (16).
6. Apagar la máquina presionando el botón de encendido /parada (62).

**NOTA**

La máquina que se queda encendida pero parada de cualquier actividad de trabajo, se apaga automáticamente después de 5 minutos.

7. Asegurarse de que la máquina no pueda moverse de forma autónoma.

**¡ADVERTENCIA!**

En caso de emergencia, para parar inmediatamente todas las funciones de la máquina, apretar el botón (63).

FUNCIONAMIENTO DE LA MÁQUINA (LAVADO/SECADO)

1. Poner en marcha la máquina como indicado en el párrafo antecedente.
2. Bajar el limpiador (11) con el pedal (23).
3. Pulsar el botón de encendido/parada (62) e introducir la contraseña para arrancar la máquina. Botón giratorio (67) para seleccionar el modo limpieza de la siguiente manera y presionar el botón giratorio (61) para confirmar.
 - Modo manual (73): el flujo de solución, el flujo de detergente, la presión del cepillo y el nivel de aspiración se pueden ajustar desde la pantalla.
 - Modo de limpieza inteligente (74): preajuste, no se puede ajustar desde la pantalla.
 - Modo de limpieza estándar (75): preajuste, no se puede ajustar desde la pantalla.
 - Modo de limpieza profunda/Modo de preparación del suelo (solo REV.): preajuste, no se puede ajustar desde la pantalla.
4. Bajar el cabezal de fregado y empezar a fregar y secar. Empezar la limpieza maniobrando la máquina y presionando la pala (16) cuando el cepillo baja al suelo. Si necesario, ajustar la velocidad máxima con la perilla de ajuste de la velocidad (48).
5. Regular el flujo de detergente presionando el botón de ajuste de flujo de la solución (solo modo manual) según las propias necesidades, en función de la limpieza que se debe efectuar.



NOTA

Para los 3 primeros niveles de flujos (Fig. 9), la cantidad de solución detergente dispensada se ajusta automáticamente según la velocidad de marcha de la máquina, para poder obtener una cantidad de solución detergente constante por metro lineal de limpieza.



Versión	Valores del flujo de la solución (cl/metro)				Modo de flujo completo de la solución gpm (litro/minuto) requiere un usuario supervisor para habilitarlo.
	Lev.0	Lev.1	Lev.2	Lev.3	Lev.4
Disco	OFF	0,75	1,5	3,0	0.98 gpm (3,7 litros/minuto)
REV	OFF	0,38	0,75	1,5	
Disco doble	OFF	0,90	1,8	3,6	
Cilíndrico	OFF	1,0	1,83	2,8	

Figura 9

6. Si necesario, para reducir el ruido al mínimo, activar la función de aspiración silenciosa apretando el botón de ajuste/desactivación del sistema de aspiración (66) (solo modo manual).



NOTA

Para un correcto lavado/secado de los suelos en los bordes de las paredes, Nilfisk sugiere acercarse con el lado derecho de la máquina como indicado en la figura 10.

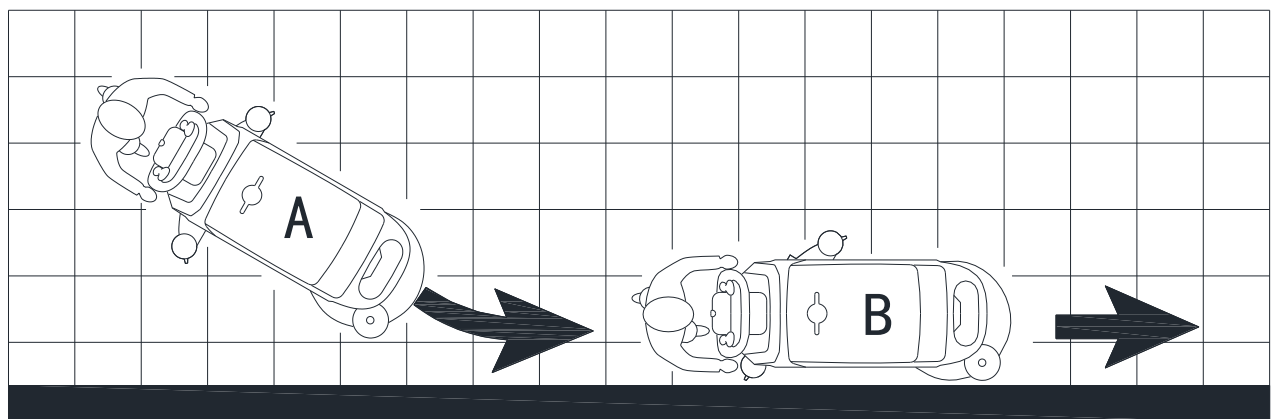


Figura 10



¡ADVERTENCIA!

Para que la superficie del suelo no se dañe, evitar que el cepillo siga funcionando con la máquina parada, especialmente si se trabaja con la presión suplementaria activada.

7. Una vez acabado el trabajo, pulsar el botón giratorio (61) para levantar el cabezal de fregado. Después de 10 segundos se desactiva también el sistema de aspiración.
8. Levantar el limpiador (11) con el pedal (23).

Ajuste de la concentración de detergente en la solución de limpieza (solo modo manual)

- (Para máquinas con sistema EcoFlex)
- El sistema para la mezcla del detergente en la solución de limpieza se activa automáticamente cuando el cepillo está en función.
- El porcentaje de detergente añadido al solución de limpieza está configurado en el nivel 1 (Fig. 11).
- Apretando el pulsador de ajuste del porcentaje de detergente (60) es posible incrementar el porcentaje en el nivel 2 o ponerlo a cero en el nivel 0.
- Los porcentajes configurados se visualizan en la pantalla (60).



Porcentaje de detergente		
Lev.0	Lev.1	Lev.2
OFF	0,40% 1:250	0,80% 1:125

Figura 11

Botón de aumento de potencia

Apretar el botón de aumento de potencia (54) cuando se requiere provisionalmente una mayor potencia de lavado. Con el aumento de potencia activada, el aumento del flujo de solución, la activación de la presión suplementario del cepillo y un aumento en la concentración en la solución de detergente (nivel 2 si el nivel se estableció en 1 - nivel 1 si el nivel se estableció en 0). La pantalla muestra una cuenta atrás del aumento de potencia de 60 segundos. Apretar nuevamente el botón de aumento de potencia (54), para volver a la configuración original.



NOTA

Cuando no se aprieta el botón de aumento de potencia (54) una segunda vez, se vuelve automáticamente a los ajustes iniciales después de 60 segundos.



NOTA

Todos los valores indicados arriba de los niveles de las funciones del flujo del detergente y de su concentración, son de configuración de fábrica. Para modificar estas configuraciones, véase el apartado Supervisor en el capítulo Mantenimiento.

Sistema REV (sólo para versión REV)

Apretar modo de preparación del suelo cuando se requiere un modo de lavado específico. Con el sistema REV activado se obtiene una disminución velocidad de marcha, la activación de la presión suplementaria del cepillo, la interrupción del detergente y se reduce la cantidad de la solución de limpieza.

Trabajo con la función de presión suplementaria del cepillo (solo modo Manual)

En caso de suelo con suciedad muy resistente, es posible trabajar con una presión suplementar de los cepillos sobre el suelo, según el procedimiento siguiente:

1. Pulsar el botón de encendido/parada (62) e introducir la contraseña para arrancar la máquina. Botón giratorio (67) para seleccionar el modo manual, presionar el botón giratorio (61) para confirmar. Bajar el cabezal de fregado como se indica en el apartado "Puesta en marcha de la máquina".
2. Pulse el botón de presión suplementaria (64). La activación de la función de presión suplementaria se muestra en el icono de la pantalla (64).
3. Para volver a un trabajo con presión normal, pulsar de nuevo el interruptor de presión suplementaria (64).



¡ATENCIÓN!

En caso de sobrecarga del motor del cepillo, debido a cuerpos extraños que obstaculizan su movimiento, o a suelos/cepillos demasiado agresivos, un sistema de seguridad se encarga de bloquear el motor. Si la sobrecarga ocurre cuando la función de presión suplementaria está activada, el sistema desactiva automáticamente la función de presión suplementaria. Si la sobrecarga persiste, el cepillo se detiene. Para empezar a fregar de nuevo tras la parada del cepillo por causa de la sobrecarga, es necesario apagar y volver a encender la máquina con el botón de encendido/parada (62).

Descarga de la batería durante el funcionamiento

Cuando la batería (58) se muestra baja en la pantalla, es oportuno cargar la batería, porque la autonomía residual de la máquina es de pocos minutos (variables en función de las características de la batería y de la tarea a realizar). Tras unos segundos el cepillo se para automáticamente; funcionan sólo el sistema de aspiración y el sistema de tracción, para poder secar eventuales partes del suelo mojado y llevar la máquina en el lugar de recarga.



¡ATENCIÓN!

No usar la máquina con las baterías descargadas, para evitar que se dañen y se reduzca su vida útil.

VACIADO DE LOS DEPÓSITOS

Un sistema de cierre automático de flotador (30) bloquea el sistema de aspiración cuando el depósito del agua de recuperación (3) está lleno.

Es posible darse cuenta del bloqueo del sistema de aspiración porque el ruido del motor del sistema de aspiración aumenta y el suelo no seca.



¡ATENCIÓN!

Si el sistema de aspiración se apaga de forma accidental (por ejemplo por la intervención prematura del flotador durante un desplazamiento imprevisto de la máquina), para reactivarlo apagar el sistema de aspiración, luego abrir la tapa (2) y controlar que el flotador dentro de la rejilla (30) ha bajado. Luego cerrar la tapa (2) y reactivar el sistema de aspiración.

Cuando el depósito de recuperación (3) está lleno, vaciarlo según el procedimiento siguiente.

Vaciado del depósito de recuperación

1. Levantar el cabezal de fregado.
2. Levantar el limpiador (11) con el pedal (23).
3. Lleve la máquina en el área de eliminación designada.
4. Apagar la máquina con el botón de encendido /parada (62).
5. Vaciar el depósito del agua de recuperación (3) mediante el tubo de descarga (18). Al final del trabajo, enjuagar el depósito con agua limpia.

Vaciado del depósito de la solución detergente

6. Llevar a cabo los pasos de 1 a 4.
7. Vaciar el depósito de la solución detergente (4) mediante el tubo de nivel (7). Al final del trabajo, enjuagar el depósito con agua limpia.

DESPUÉS DEL USO DE LA MÁQUINA

Cuando el trabajo está acabado, antes de alejarse de la máquina:

1. Quitar el cepillo, mediante el procedimiento específico.
2. Apagar la máquina con el botón de encendido /parada (62).
3. Vaciar los depósitos (3 y 4) como indicado en el párrafo específico.
4. Efectuar las operaciones de mantenimiento necesarias después del uso de la máquina (véase el capítulo Mantenimiento).
5. Guardar la máquina en un lugar seco y limpio, con el cepillo y el limpiador levantados o desmontados.

PERIODO DE LARGA INACTIVIDAD DE LA MÁQUINA

Si se piensa que la máquina no va a ser usada durante 30 días o más, seguir las indicaciones siguientes:

1. Llevar a cabo los procedimientos indicados en el apartado Después del uso de la máquina.
2. Para las versiones con sistema EcoFlex, vaciar el depósito del detergente (35) y limpiar el sistema con el ciclo de purga (véase los procedimientos en el capítulo Mantenimiento).
3. Desconectar el grifo de la solución detergente (9-B).
4. Desconectar el conector de la batería (21).

MANTENIMIENTO

Un mantenimiento cuidadoso y continuo garantiza la vida útil y la seguridad de funcionamiento de la máquina. El esquema siguiente resume el mantenimiento programado. Los períodos indicados pueden variar según las condiciones de trabajos, que el encargado del mantenimiento debe establecer.



¡ADVERTENCIA!

Las operaciones deben efectuarse con la máquina apagada y con la batería desconectada. Antes de efectuar las operaciones de mantenimiento, leer cuidadosamente todas las instrucciones del capítulo Seguridad.

Todas las operaciones de mantenimiento programado o extraordinario deben ser efectuadas por el personal calificado o por un Centro de asistencia autorizado.



¡ATENCIÓN!

Cada vez que se visualiza el icono Service en la pantalla (52), contactar con un Centro de Asistencia autorizado Nilfisk para el mantenimiento programado.

En este manual, después del esquema de mantenimiento programado, se describen sólo los procedimientos de mantenimiento más sencillos y frecuentes. Para las otras operaciones de mantenimiento indicadas en el esquema de mantenimiento programado, véase el Manual de asistencia disponible en los Centros de asistencia.

ESQUEMA DE MANTENIMIENTO PROGRAMADO

Procedimiento	Diario, después del uso de la máquina	Semanal	Semestral	Anual
Carga de la batería				
Limpieza del limpiador				
Limpieza de los cepillos/filtros				
Depósito de recuperación, bandeja de residuos, y de la rejilla de aspiración con flotador de limpieza y comprobación de la tolva de residuos para versiones con cepillos cilíndricos.				
Limpieza y lavado del sistema de detergente (opcional)				
Control de la hoja del limpiador				
Limpieza del filtro de la solución detergente				
Sustitución de la hoja del limpiador				
Control y limpieza de la ventilación del motor de accionamiento y cepillado			(1)	
Control o sustitución de las escobillas de carbón del motor del cepillo				(1)
Control o sustitución de las escobillas de carbón del motor del sistema de tracción				(1)
Sustitución de los antivibraciones del cabezal (sólo para versión REV)				(1)

(1) Mantenimiento de competencia de un Centro de asistencia autorizado Nilfisk.

CARGA DE LA BATERÍA



NOTA

Cargar las baterías cuando se muestra baja (58) en la pantalla o al final del turno. Si se mantienen las baterías cargadas, su durabilidad aumenta.



¡ATENCIÓN!

No dejar las baterías descargadas durante mucho tiempo, porque su durabilidad podría reducirse. Controlar la carga de las baterías por lo menos una vez por semana.



¡ATENCIÓN!

Para cargar las baterías con cargador de baterías externo, use un cargador de baterías adecuado para el tipo de baterías instaladas.



¡ADVERTENCIA!

Si se usan baterías de plomo (WET), cargando las baterías se produce gas hidrógeno muy explosivo. Cargar las baterías sólo en áreas bien ventiladas y lejos de llamas libres.

No fume mientras carga las baterías. Mantenga izado el depósito de recuperación hasta que se haya terminado el ciclo de carga de la batería.



¡ADVERTENCIA!

Durante la carga de las baterías tener mucho cuidado que el líquido de las baterías no sobresalga. Este líquido es corrosivo. En caso de contacto con la piel o los ojos lavar a conciencia con agua y consultar un médico.

1. Llevar la máquina en el área designada para la carga de las baterías.
2. Asegúrese de que la máquina está apagada.
3. Levantar la tapa (2) y controlar que el depósito del agua de recuperación (3) esté vacío, si no vaciarlo mediante el tubo de descarga (18).
4. Cerrar la tapa (2).
5. Empuñar la manilla (6) y levantar el depósito (3) con cuidado.
6. (Sólo para baterías WET) controlar el nivel de electrolito de las baterías. Si fuese necesario, desenrosque los tapones y rellene. Cuando se haya restaurado el nivel correcto, cierre los tapones y limpie la superficie superior de las baterías.

Carga de las baterías con cargador externo

1. Controle que el cargador de baterías sea adecuado, haciendo referencia al manual relacionado. La tensión nominal del cargador de baterías es de 24 V.
2. Desconectar el conector (21) de las baterías, equipado con manija y conectarlo al cargador de baterías externo.
3. Conecte el cargador de baterías a la red eléctrica.
4. Al final de la carga desconectar el cargador de baterías de la red eléctrica y del conector (21).
5. Conectar el conector de baterías (21) a la máquina.
6. Bajar con cuidado el depósito de recuperación (3).



¡ADVERTENCIA!

No conectar nunca el cargador externo de baterías a la correspondiente parte de conector fijada en la máquina. El sistema electrónico podría dañarse irreparablemente.

Carga de las baterías con el cargador instalado en la máquina

1. Conectar el enchufe del cargador de baterías (20) a la red eléctrica [la tensión y la frecuencia de la red deben ser compatibles con los valores del cargador de baterías indicados en la placa del número de serie de la máquina].



NOTA

Cuando el cargador de baterías está conectado a la red eléctrica, todas las funciones de la máquina se paran automáticamente. La pantalla muestra la carga.

2. Cuando la potencia de la pantalla es al 100%, el ciclo de carga de la batería está completo.
3. Desconectar el enchufe del cargador de baterías (20) de la red eléctrica e introducirlo en su alojamiento (19).
4. Bajar con cuidado el depósito de recuperación (3).
5. La máquina está lista para el uso.



NOTA

Para informaciones suplementarias sobre el cargador de baterías (26) consultar el manual relacionado.

INTERFAZ DE MENÚ PARA DIFERENTES USUARIOS

La máquina contiene cuatro tipos de usuarios, y las páginas de menú para cada usuario serán diferentes.

- USUARIO EN PRÁCTICAS
- USUARIO BÁSICO
- USUARIO AVANZADO
- USUARIO SUPERVISOR

Interfaz del menú (Fig. 12)

1. Pulsar el botón de encendido/parada (62) e introducir la contraseña para arrancar la máquina.
2. Pulsar el botón de ajuste (68) en la interfaz del menú.
3. Seleccionar el elemento que desea configurar a través de la pantalla táctil.

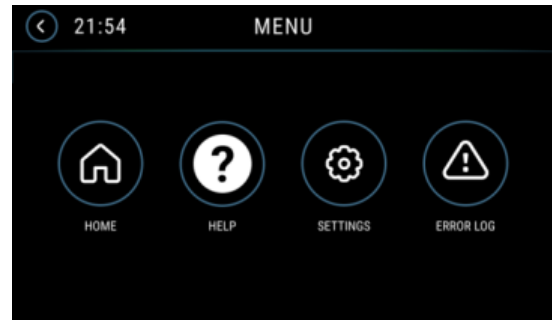


Figura 12

Interfaz de ayuda de la máquina (Fig. 13 a)

Contiene los siguientes módulos, que pueden ayudar al operador a familiarizarse rápidamente con la máquina.

1. INICIO RÁPIDO (instrucciones de visualización simples y claras)
2. VÍDEOS TUTORIALES (instrucciones de funcionamiento en vídeo)
3. MODO FORMACIÓN (guía paso a paso)
4. MANUAL DEL USUARIO (Manual electrónico detallado.)

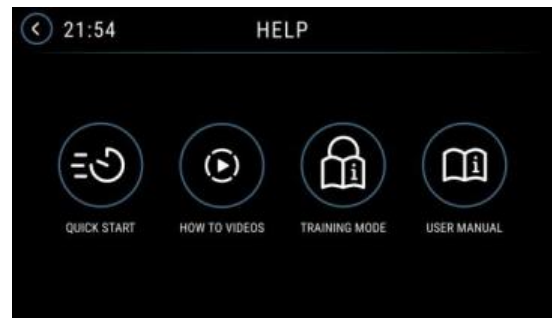


Figura 13 a

Interfaz configuración de la máquina (Fig. 13 b)

Los siguientes elementos permiten realizar ajustes.

1. BRILLO DE LA PANTALLA
2. HORA Y REGIÓN
3. IDIOMA
4. PURGA DE DETERGENTE (Limpieza de los sistemas de tuberías y operaciones de prellenado de nuevas tuberías.)
5. INFORMACIÓN DE LA MÁQUINA

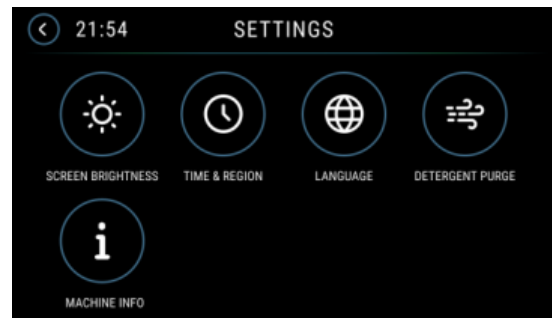


Figura 13-b

Interfaz configuración de la máquina (Fig. 13 c)

Solo para el USUARIO SUPERVISOR

Los siguientes elementos permiten realizar ajustes.

1. CONFIGURACIÓN DE LA MÁQUINA
2. ACCESO DE USUARIO
3. HORA Y REGIÓN
4. IDIOMA
5. CONECTIVIDAD (opcional)
6. AJUSTES PREESTABLECIDOS
7. CONFIGURACIÓN LLAVE FOB (opcional)
8. INFORMACIÓN DE LA MÁQUINA

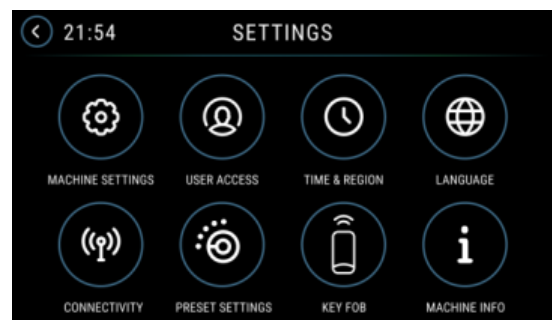


Figura 13 c

Interfaz registro error máquina (Fig. 13 d)

Ayuda al operador a comprender el estado de la máquina y el historial de informes de errores.

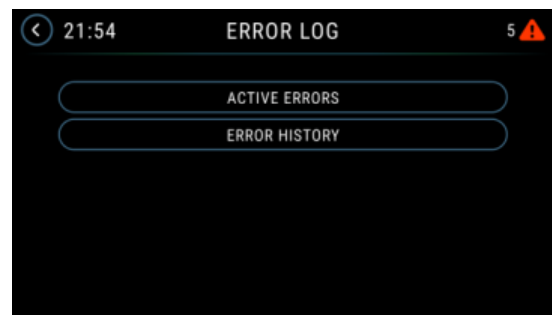


Figura 13 d

PARÁMETROS MODIFICABLES					
Código	Descripción	Valor mín.	Configuración de fábrica	Valor máx.	
CHM1	Nivel 1 de concentración de detergente	1:500 (0,25 %)	1:250(0,40%)	1:33 (3 %)	
CHM2	Nivel 2 de concentración de detergente	1:500 (0,25 %)	1:125 (0,80 %)	1:33 (3 %)	
CHAS	Sonido de alarma detergente	OFF	Siempre ON	ON	
			ON-30seg		
P1/P3	Relación caudal flujo solución nivel 1 en caudal de nivel 3 (Véase la sección «Sistema para el ajuste del caudal como función de la velocidad»)	Simple	0%	25%	100%
		Dual	0%	21%	100%
			0%		
		REV	0%	25%	100%
	Cilíndrico	0%	36%	100%	
P2/P3	Relación caudal flujo solución nivel 2 en caudal de nivel 3 (Véase la sección «Sistema para el ajuste del caudal como función de la velocidad»)	Simple	0%	50%	100%
		Dual	0%	50%	100%
		REV	0%	50%	100%
		Cilíndrico	0%	77%	100%
P3	Débit de solution de niveau 3	Simple	1,0 cl/m	3,0 cl/m	5,0 cl/m
		Dual	1,0 cl/m	3,6 cl/m	5,0 cl/m
		REV	1,0 cl/m	1,5 cl/m	5,0 cl/m
		Cilíndrico	1,0 cl/m	2,8 cl/m	5,0 cl/m
P4	Habilitar flujo de solución nivel 4	OFF	OFF	ON	
SPT	Temporizador de funcionamiento EcoFlex	0 (desactivado)	60 seg.	300 seg.	
FVMIN	Velocidad mínima marcha adelante	0%	5%	100%	
FVMAX	Velocidad máxima marcha adelante	10%	100%	100%	
RVMAX	Velocidad máxima marcha atrás	10%	40%	50%	
WVMAX	Velocidad máxima de trabajo	10%	100%	100%	
BRMAX	Velocidad máxima del cepillo	0%	90%	100%	
BAT	Tipo de batería instalada	0	10(ACE)	10	
TOFF	Tiempo de inactividad	0 (desactivado)	4mins	10mins	
BRGH	Brillo de la pantalla	1	16	16	
VRID	Potencia de aspiración en modo silencioso (valor de PWM)	10%	20%	80%	
VRIN	Potencia de aspiración modo normal (valor de PWM)	10%	38%	80%	
RPM1	Umbral reducido de activación rpm del cepillo	5	9	20	
RPM2	Umbral reducido de activación rpm del cepillo	5	15	20	
RESET	Restaurar las configuraciones de fábrica para todos los parámetros	OFF	OFF	ON	

LIMPIEZA DE LA BOQUILLA**NOTA**

El limpiador debe estar limpio y sus hojas deben estar en buenas condiciones para obtener un buen secado.

**¡ADVERTENCIA!**

Se recomienda usar guantes de trabajo cuando se limpia el limpiador por la posible presencia de residuos cortantes.

1. * Lleve la máquina sobre un suelo llano.
2. Asegúrese de que la máquina está apagada.
3. Desenroscar las empuñaduras (13) y quitar el limpiador (11).
4. Lave y limpie el limpiador. Limpiar especialmente los huecos (A, Fig. 14) y el orificio de aspiración (B). Controlar que las hojas delantera (C) y trasera (D) estén en buenas condiciones, que no estén cortadas o desgarradas, de lo contrario, sustituir las mediante el procedimiento indicado en el párrafo siguiente.
5. Montar el limpiador en orden contrario al desmontaje.

CONTROL Y SUSTITUCIÓN DE LAS HOJAS DEL LIMPIADOR

1. Limpie el limpiador como indicado en el párrafo anterior.
2. Controlar que las hojas delantera (C, Fig. 14) y trasera (D) estén en buenas condiciones, que no estén cortadas o desgarradas, de lo contrario, sustituir las mediante el procedimiento siguiente. Controle también que el borde delantero (E) de la hoja trasera no esté desgastado; de lo contrario gire la hoja para sustituir el borde gastado con uno de los restantes bordes intactos. Si todos los bordes están desgastados, sustituya la hoja, mediante el procedimiento siguiente:
 - Utilizando el trinquete (F), desvincular y quitar la bisagra elástica (G) de los retenes (H), luego sustituir/volcar la hoja trasera (D).
 - Monte la hoja en orden contrario al desmontaje. Fijar la bisagra elástica (G) a los retenes (H) iniciando de uno de los lados. Para facilitar el procedimiento de fijación, fije los retenes de uno en uno, bloqueando la cinta antes del retén con una mano (M) y tirando de ella con la otra (N).
 - Desenroscar las empuñaduras (I) y quitar la cinta (J), luego girar o sustituir la hoja delantera (C).
 - Monte la hoja en orden contrario al desmontaje.
3. Instalar el limpiador (11) y enroscar las empuñaduras (13).
4. Haga descender el limpiador al suelo para controlar la altura de las gomas, realizando lo siguiente:
 - controlar que el borde (K) de la hoja delantera (C) y el borde (L) de la hoja trasera (D) permanezcan en la posición ilustrada en la figura.
 - Para la regulación utilizar la perilla (24).

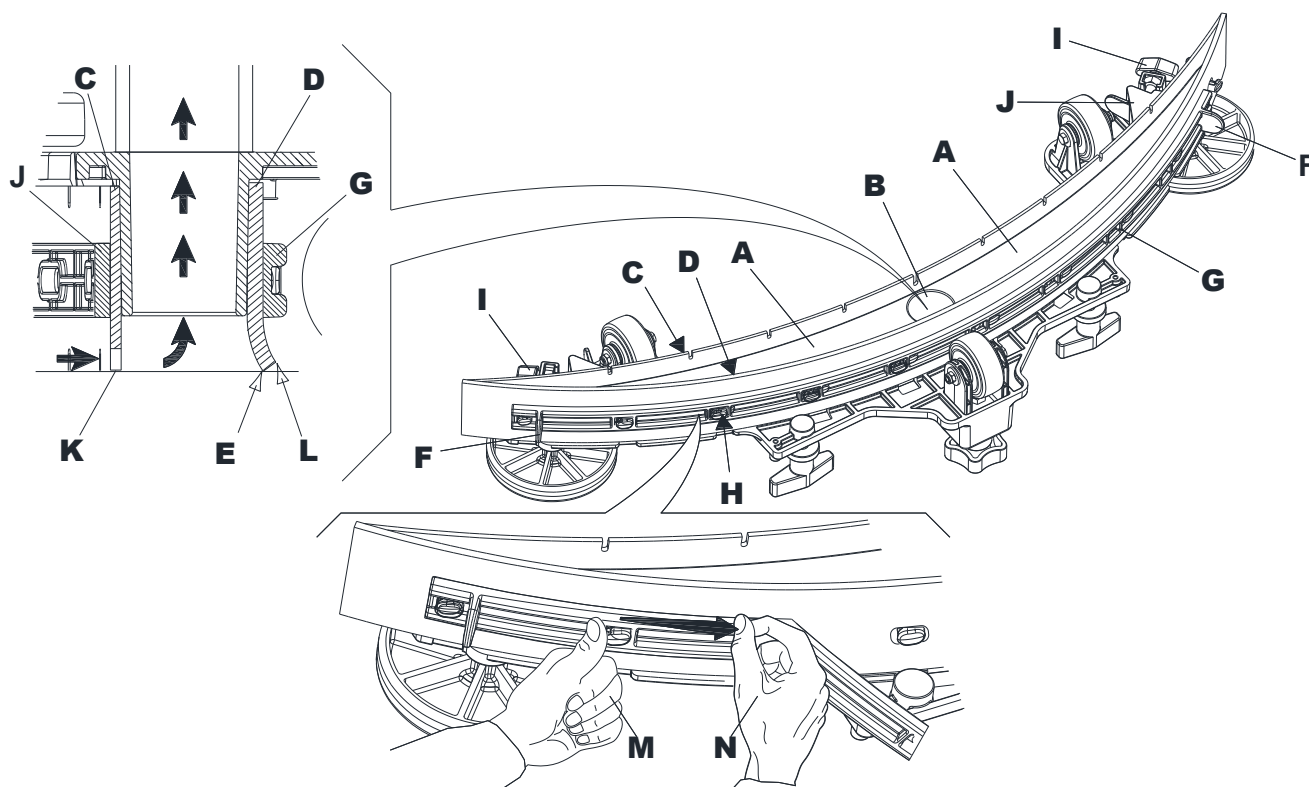


Figura 14

LIMPIEZA DEL CEPILLO



¡ADVERTENCIA!

Durante estas operaciones se aconseja usar guantes de trabajo, porque residuos cortantes podrían estar en el cepillo.

1. Quitar el cepillo de la máquina como indicado en el capítulo Uso/Funcionamiento.
2. Limpiar y lavar el cepillo con agua y detergente.
3. Controlar que las cerdas no estén dañadas o excesivamente desgastadas; de lo contrario, sustituir las.

LIMPIEZA DEL DEPÓSITO DEL AGUA DE RECUPERACIÓN

1. Lleve la máquina en el área de eliminación designada.
2. Apagar la máquina con el botón de encendido /parada (62).
3. Levantar la tapa (2).
4. Limpiar y lavar con agua limpia el interior del depósito (3) y de la tapa.
5. Descargar el agua del depósito mediante el tubo (18).
6. Limpiar la rejilla de aspiración (30), desenganchar los retenes (A, Fig. 15), abrir la rejilla (B) y quitar el flotador (C), luego limpiar con cuidado y volver a instalar.
7. Desmonte la cubeta para la recogida de los residuos (D) abra la tapa y limpie cuidadosamente y vuelva a instalarla en el tubo de aspiración.
8. Controle la condición de la guarnición de la tapa del depósito (E). Si fuese necesario, sustituya la guarnición (E) quitándola de su alojamiento (F). Cuando se instala la nueva guarnición, posicione la unión (G) en el área inferior indicada en la figura.



NOTA

La guarnición (E) permite la formación de vacío en el depósito, necesario para la aspiración del agua de recuperación.

9. Controle que la superficie del asiento (H) de la guarnición (E) esté en buenas condiciones, esté limpia y sea adecuada para formar un sello con la guarnición misma.
10. Cerrar la tapa (2).

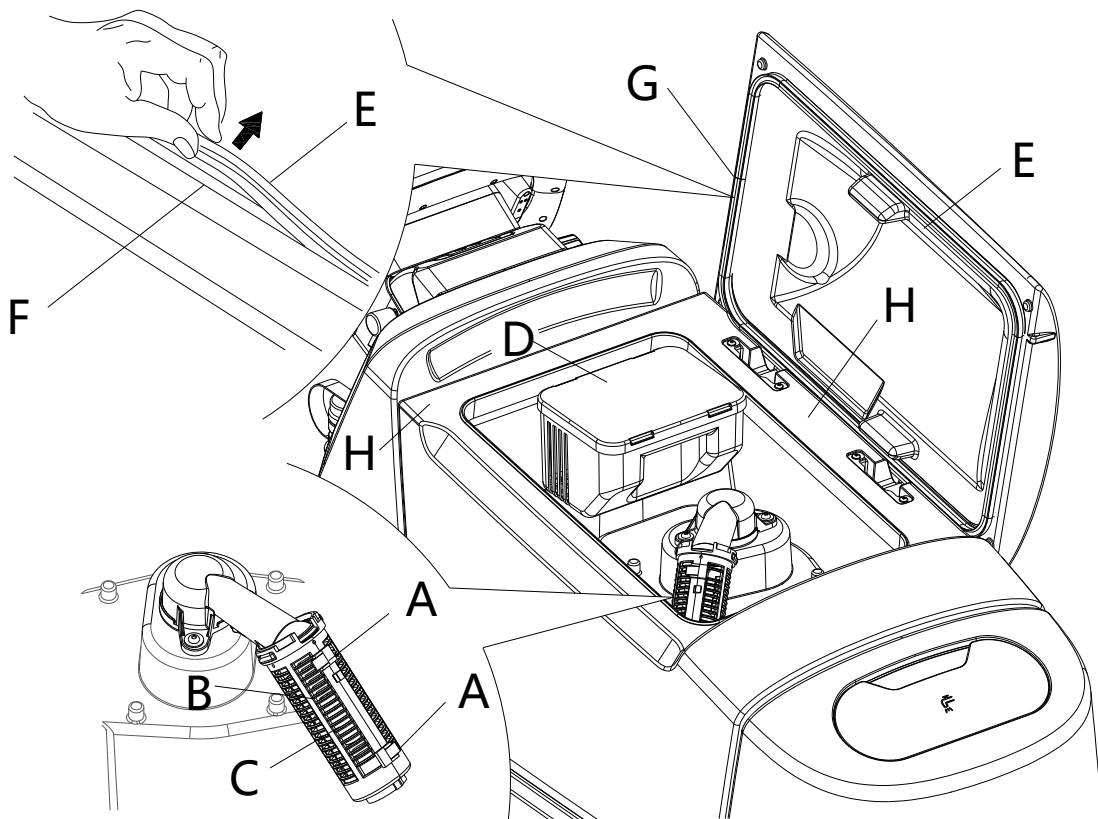


Figura 15

LIMPIEZA DEL FILTRO DE LA SOLUCIÓN DETERGENTE

- * Lleve la máquina sobre un suelo llano.
- Asegúrese de que la máquina está apagada.
- Cerrar el grifo de la solución detergente (A, Fig. 16). El grifo está cerrado cuando está en la posición (B) y está abierto cuando está en la posición (C).
- Quitar la tapa del filtro (D) y la guarnición (E), luego quitar la rejilla filtrante (F). Lavarlos y enjuagarlos con agua, luego volverlos a montar con cuidado en el soporte del filtro (G).



NOTA

Tener cuidado de evitar la pérdida de la guarnición (E) durante la limpieza. Asegurarse de que la guarnición (E) esté instalada en la posición correcta en la tapa del filtro (D).

- Abra el grifo (A).

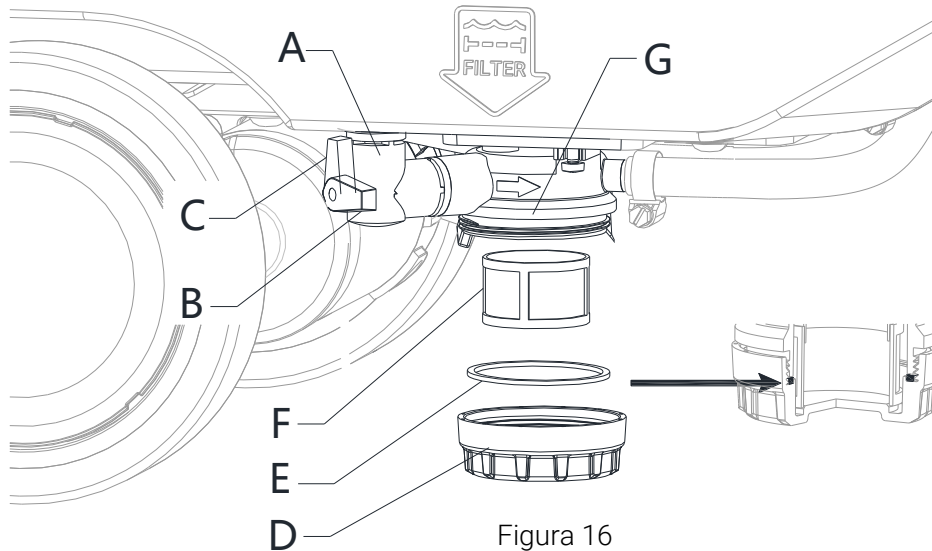


Figura 16

TOLVA DE ESCOMBROS LIMPIA (SOLO PARA CABEZAL CILÍNDRICO)

- * Lleve la máquina sobre un suelo llano.
- Asegúrese de que la máquina está apagada.
- Tirar de la tolva de residuos (A, Fig. 17) desde el lateral, luego limpiarla con cuidado y volver a instalarla en el cabezal. Sugerir limpiarla al final del turno.
- Tirar de la tapa de goma (B) y limpiar el fregadero (C) para asegurarse de que todos los orificios no estén bloqueados. Volver a instalar la tapa de goma (B) después de limpiarla.

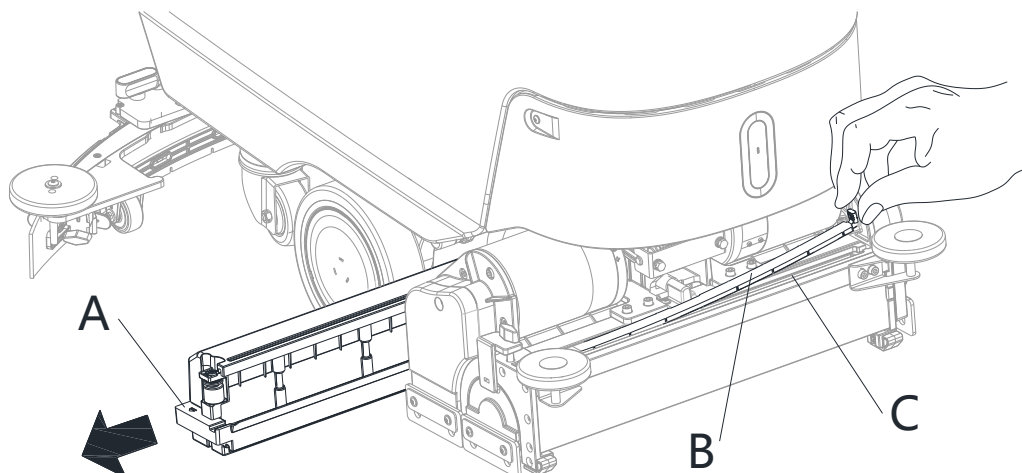


Figura 17

AJUSTE DE LA MARCHA RECTILÍNEA DE LA MÁQUINA (Solo para versiones con cepillo de disco individual)

Según el tipo de suelo, o según la utilización del cepillo o del fieltro, puede variar la velocidad de marcha rectilínea de la máquina. En caso de que la máquina con el cabezal bajado y durante el trabajo de limpieza, desvíe de la dirección rectilínea de avance, se puede actuar sobre la perilla(38) en sentido horario o antihorario para corregir la desviación y obtener un comportamiento neutral.

LIMPIEZA DEL DEPÓSITO DEL DETERGENTE

(Para máquinas con sistema EcoFlex)

Limpiar el depósito del detergente (35) efectuando el procedimiento siguiente.

1. Lleve la máquina en el área de eliminación designada.
2. Asegúrese de que la máquina está apagada.
3. Levantar la tapa (2) y controlar que el depósito del agua de recuperación (3) esté vacío, si no vaciarlo mediante el tubo de descarga (18).
4. Cerrar la tapa (2).
5. Empuñar la manilla (6) y levantar el depósito (3) con cuidado.
6. Desenroscar la tapa (A, Fig. 18) del depósito del detergente (B)..
7. Quitar el depósito del detergente (B).
8. Lavar y limpiar el depósito con agua limpia en la zona de eliminación designada.
9. Sustituya el depósito de detergente (B) como se ilustra en la figura, después vuelva a colocar el tapón (A).
10. Después del vaciado del depósito del detergente puede ser necesario expurgar el sistema EcoFlex (véase el procedimiento en la sección siguiente).

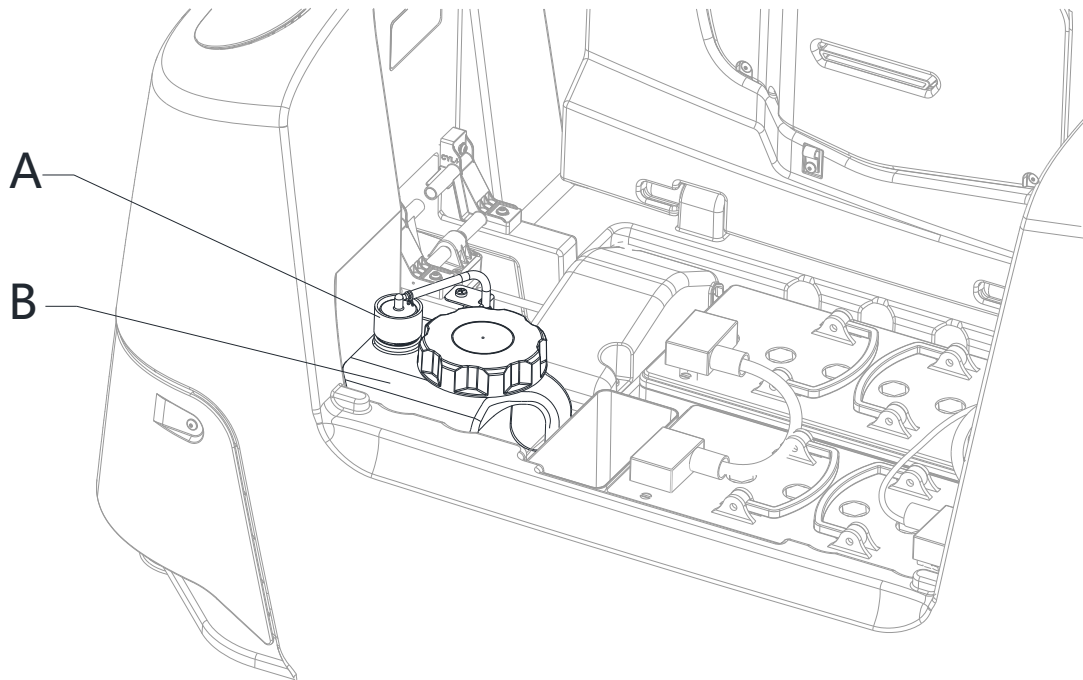


Figura 18

PURGA DEL SISTEMA ECOFLEX

(Para máquinas con sistema EcoFlex)

Limpie el depósito de detergente del modo indicado en el párrafo anterior.

Para quitar el detergente residual de los tubos del detergente y de la bomba, realice lo siguiente.

1. Controlar por inspección visual la cantidad del detergente. Asegurarse de que el depósito esté medio lleno de agua limpia.
2. Pulsar el botón de encendido/parada (62) e introducir la contraseña para arrancar la máquina.



3. Pulsar el botón de ajuste (68) en la interfaz del menú. Seleccionar la PURGA DE DETERGENTE en la interfaz de configuración. Completar el proceso de limpieza de acuerdo con las instrucciones en pantalla. Cuando finalice el programa,



aparecerá este icono y regresará a la interfaz de configuración después de 2 segundos.

4. Apagar la máquina con el botón de encendido /parada (62).
5. Levantar el depósito (3), luego controlar que el tubo del depósito del detergente (35) esté vacío, de lo contrario repetir los pasos de 2 a 5.

NOTA



El ciclo de purga dura unos 30 segundos. También se puede efectuar el ciclo de purga con el depósito del detergente (35) lleno de agua. De esta forma, el lavado del sistema sería total. Es necesario efectuar la PURGA DEL DETERGENTE para limpiar el sistema EcoFlex de suciedad e incrustaciones después de inactividad/falta de limpieza de la máquina durante largos períodos. También se puede efectuar la PURGA DEL DETERGENTE para acelerar el llenado del tubo de aspiración del detergente cuando el depósito (35) está lleno y el sistema está todavía vacío. Si fuese necesario, el ciclo de PURGA DEL DETERGENTE puede ser realizado varias veces en secuencia.

CONTROL/SUSTITUCIÓN DE LOS FUSIBLES



NOTA

Todos los circuitos eléctricos de la máquina están protegidos por dispositivos electrónicos de auto-reactivación. Los fusibles de seguridad se activan sólo en caso de avería grave. Por lo tanto se recomienda que la sustitución de los fusibles sea efectuada sólo por el personal cualificado. Consultar el Manual de asistencia disponible en los Revendedores Nilfisk.

LOCALIZACIÓN AVERÍAS

AVERÍA	PROBABLE CAUSA	SOLUCIÓN
La aspiración de agua sucia es insuficiente.	El depósito de recuperación está lleno.	Vaciar el depósito.
	Rejilla de aspiración obstruida o flotador en cierre.	Limpiar la rejilla de aspiración.
	Contenedor con rejilla de recogida de residuos obstruido.	Limpiar.
	El tubo está desconectado del limpiador	Conectarlo.
	El limpiador está sucio o las hojas del limpiador están desgastadas/dañadas.	Limpiar el limpiador o volcar/sustituir las hojas.
	La tapa del depósito no está cerrada correctamente, o la guarnición está desgastada.	Cerrar correctamente la tapa o limpiar/sustituir la guarnición.
El flujo de la solución detergente es insuficiente.	Depósito de la solución detergente vacío.	Llenarlo.
	El filtro de la solución detergente está sucio.	Limpiar el filtro
	Depósito del sistema EcoFlex (opcional) sucio/incrustado.	Limpiar mediante ciclo de purga.
El limpiador causa estriados en el suelo.	Residuos bajo de las hojas del limpiador.	Quitar los residuos.
	Las hojas del limpiador están desgastadas, astilladas o desgarradas.	Volcar o sustituir las hojas.
	El limpiador no fue equilibrado mediante la empuñadura.	Ajustar el limpiador.
La pantalla (52) muestra un mensaje de alarma del tipo siguiente: Código DE ALARMA DE ADVERTENCIA	La pantalla mostrará las posibles causas.	Actuar de acuerdo con las indicaciones en pantalla. Apagar y volver a encender la máquina. Si el problema sigue existiendo, contactar con un Centro de asistencia autorizado.



NOTA

Si la máquina está equipada de un cargador de baterías, ésta no puede funcionar si el cargador no está a bordo. Si el cargador de baterías está averiado, acudir a un Centro de asistencia autorizado.

Para cualquier aclaración o para más información, contactar con los Centros de asistencia NILFISK.

ELIMINACIÓN

Eliminar la máquina en un demolidor calificado.

Antes de eliminar la máquina es necesario quitar y separar los siguientes materiales y eliminarlos según las actuales normas de higiene ambiental:

- Baterías
- Cepillos
- Tubos y componentes de plástico
- Componentes eléctricos y electrónicos (*)

(*) En particular, para la eliminación de componentes eléctricos y electrónicos, contactar con los centros NILFISK.

Composición de material de la máquina y reciclabilidad

Tipo	Porcentaje reciclable	% peso			
		Cabezal de fregado con cepillo de disco individual	Cabezal REV	Cabezal de fregado con cepillo de disco doble	Cabezal de fregado con cepillo cilíndrico
Aluminio	100%	8 %	8 %	8 %	8 %
Motores eléctricos - misc.	29%	30 %	35 %	33 %	29 %
Materiales ferrosos	100%	4 %	4 %	4 %	5 %
Cableados	80%	3%	2%	3%	3%
Líquidos	100%	0 %	0 %	0 %	0 %
Plástico - no reciclable	0%	3%	2%	3%	3%
Plástico - reciclable	100%	12 %	11 %	11 %	12 %
Polietileno	92%	37 %	35 %	35 %	37 %
Caucho	20%	2 %	2 %	2 %	2 %

TABLE DES MATIÈRES

INTRODUCTION	2
BUT ET CONTENU DU MANUEL	2
DESTINATAIRES	2
COMMENT GARDER CE MANUEL	2
DÉCLARATION DE CONFORMITÉ.....	2
DONNÉES D'IDENTIFICATION.....	2
AUTRES MANUELS DE RÉFÉRENCE	2
PIÈCES DE RECHANGE ET ENTRETIEN.....	2
CHANGEMENT ET AMÉLIORATION.....	2
CAPACITÉS OPÉRATIONNELLES	2
CONVENTIONS	3
DÉBALLAGE/LIVRAISON	3
SÉCURITÉ	3
SYMBOLES VISIBLES SUR LA MACHINE	3
SYMBOLES UTILISÉS DANS LE MANUEL	4
INSTRUCTIONS GÉNÉRALES	4
DESCRIPTION DE LA MACHINE	7
STRUCTURE DE LA MACHINE	7
PANNEAU DE COMMANDE.....	9
ACCESSOIRES/OPTIONS.....	9
DONNÉES TECHNIQUES	10
SCHÉMA DE CÂBLAGE	11
UTILISATION/FONCTIONNEMENT	14
INTERFACE DE CRÉATION ET DE CONNEXION D'UN NOUVEL UTILISATEUR.....	14
VÉRIFICATION/RÉGLAGE DE LA BATTERIE SUR UNE NOUVELLE MACHINE	14
INSTALLATION DES BATTERIES	15
AVANT LE DÉMARRAGE DE LA MACHINE.....	15
DÉMARRAGE ET ARRÊT DE LA MACHINE	18
MACHINE AU TRAVAIL (LAVAGE/SÉCHAGE)	19
VIDANGE DU RÉSERVOIR.....	21
APRÈS L'UTILISATION DE LA MACHINE	21
LONGUE INACTIVITÉ DE LA MACHINE	21
ENTRETIEN	22
CALENDRIER D'ENTRETIEN PROGRAMMÉ.....	22
CHARGEMENT DE LA BATTERIE.....	23
INTERFACE DE MENU POUR DIFFÉRENTS UTILISATEURS.....	24
NETTOYAGE DE LA RACLETTE	26
CONTRÔLE ET REMPLACEMENT DES LAMES DE LA RACLETTE	26
NETTOYAGE DE LA BROSSÉ.....	27
NETTOYAGE DU RÉSERVOIR DE RÉCUPÉRATION.....	27
NETTOYAGE DU FILTRE DE LA SOLUTION	28
NETTOYAGE DE LA TRÉMIE À DÉBRIS (POUR PLATEAU CYLINDRIQUE UNIQUEMENT)	28
RÉGLAGE DE L'AVANCE RECTILINÉAIRE DE LA MACHINE.....	28
NETTOYAGE DU RÉSERVOIR DU DÉTERGENT	29
VIDANGE DU SYSTÈME ECOFLEX.....	30
VÉRIFICATION/REMPACEMENT DU FUSIBLE.....	30
DÉPANNAGE	31
MISE À LA FERRAILLE	32

INTRODUCTION



REMARQUE

Les chiffres entre parenthèses renvoient aux éléments présentés dans le chapitre Description de la Machine.

BUT ET CONTENU DU MANUEL

Ce manuel se propose de fournir à l'opérateur toutes les informations nécessaires afin qu'il puisse utiliser la machine correctement et la gérer de la manière la plus autonome et sûre. Il comprend des informations concernant l'aspect technique, la sécurité, le fonctionnement, le stockage de la machine, l'entretien, les pièces de rechange et la mise à la ferraille. Avant d'effectuer toute opération sur la machine, les opérateurs et les techniciens qualifiés doivent lire attentivement les instructions contenues dans ce manuel. En cas de doutes sur la correcte interprétation des instructions, contacter Nilfisk pour avoir plus de renseignements.

DESTINATAIRES

Ce manuel s'adresse à l'opérateur aussi bien qu'aux techniciens préposés à l'entretien de la machine.

Les opérateurs ne doivent pas exécuter les opérations réservées aux techniciens qualifiés. Nilfisk ne répond pas des dommages dus à l'inobservance de cette interdiction.

COMMENT GARDER CE MANUEL

Le Mode d'emploi doit être gardé près de la machine, dans une enveloppe spéciale et, surtout, loin de liquides et de tout ce qui pourrait compromettre l'état de lisibilité.

DÉCLARATION DE CONFORMITÉ

La Déclaration de Conformité est livrée avec la machine et en atteste la conformité aux lois en vigueur.



REMARQUE

La déclaration de conformité originelle est livrée en double exemplaire dans la documentation de la machine.

DONNÉES D'IDENTIFICATION

Le numéro de série et le modèle de la machine sont indiqués sur la plaque (14).

L'année de production (Code de date : A17 signifie janvier 2017) et le numéro du modèle sont marqués sur la même plaque.

Ces informations sont nécessaires lors de la commande des pièces de rechange de la machine. Utiliser l'espace suivant pour noter les données d'identification de la machine.

Modèle
Numéro du modèle
Numéro de série

AUTRES MANUELS DE RÉFÉRENCE

- Manuel du chargeur de batterie électronique, qui constitue une partie intégrante de ce manuel.
- Catalogue de pièces de rechange (livré avec la machine)
- Manuel d'entretien (consultable auprès des Services après-vente Nilfisk)

PIÈCES DE RECHANGE ET ENTRETIEN

Pour toute nécessité concernant l'emploi, l'entretien et la réparation, s'adresser au personnel qualifié ou directement aux Services après-vente Nilfisk. N'utiliser que des pièces de rechange et accessoires d'origine.

Pour un service ou la commande de pièces de rechange et accessoires, contacter Nilfisk en spécifiant toujours le nom du modèle et le numéro de série de la machine.

CHANGEMENT ET AMÉLIORATION

Nilfisk vise à un constant perfectionnement de ses produits et se réserve le droit d'effectuer des modifications et des améliorations lorsqu'elle le considère nécessaire sans l'obligation de modifier les machines précédemment vendues.

Il est entendu que toute modification et/ou addition d'accessoires doit toujours être approuvée et réalisée par Nilfisk.

CAPACITÉS OPÉRATIONNELLES

L'autolaveuse SC550 est conçue et fabriquée pour le nettoyage (lavage et séchage) de sols lisses et fermes, en milieu commercial et industriel, en conditions de complète sécurité, par un opérateur qualifié.

L'autolaveuse n'est pas adaptée au lavage de tapis ou moquettes.

CONVENTIONS

Toutes les références à en avant, en arrière, avant, arrière, droite ou gauche indiquées dans ce manuel doivent être considérées comme référées à l'opérateur en position de conduite, les mains sur le guidon (15).

DÉBALLAGE/LIVRAISON

Pour déballer la machine, suivre attentivement les instructions sur l'emballage.

Lors de la livraison de la machine, contrôler attentivement que l'emballage et la machine n'ont pas été endommagés pendant le transport.

Si les dommages sont évidents, garder l'emballage de façon qu'il puisse être examiné par le transporteur qui l'a livré. Contacter immédiatement le transporteur pour remplir une demande de dommages-intérêts.

Contrôler que les composants suivants sont livrés avec la machine :

Documentation technique :

- Mode d'emploi de l'autolaveuse et liste des pièces de rechange (On peut également scanner le code QR sur la droite pour l'obtenir.)
- Manuel du chargeur de batterie électronique (si installé)



ATTENTION !

Les Produits vendus avec le présent manuel contiennent ou peuvent contenir des produits chimiques reconnus par certains gouvernements (comme l'État de Californie, par le biais de la proposition de loi d'avertissement réglementaire 65) comme provoquant des cancers, des anomalies congénitales et autres dangers pour la reproduction. Dans certains endroits (comme l'État de Californie), les acheteurs de ces Produits, qui les utilisent sur un lieu de travail ou dans un espace public, ont l'obligation d'apposer certains avis, avertissements ou informations concernant les produits chimiques qui sont ou peuvent être contenus dans les Produits dans ces lieux ou aux alentours de ces lieux de travail. Il incombe à l'acheteur de connaître les dispositions de, et de respecter, toutes les lois et réglementations ayant trait à l'utilisation de ces Produits au sein de tels environnements. Le Fabricant décline toute responsabilité d'informer les acheteurs concernant des exigences spécifiques qui peuvent s'appliquer à l'utilisation des Produits dans de tels environnements.

SÉCURITÉ

Les symboles suivants indiquent les situations potentiellement dangereuses. Toujours lire attentivement ces informations et prendre toutes les précautions nécessaires pour protéger les personnes et les biens.

Pour éviter tout accident, la collaboration de l'opérateur est essentielle. Aucun programme de prévention des accidents du travail ne peut résulter efficace sans la totale collaboration de la personne directement responsable du fonctionnement de la machine. La plupart des accidents qui peuvent survenir dans une entreprise, pendant le travail ou les déplacements, sont dus à l'inobservance des plus simples règles de prudence. Un opérateur attentif et prudent est la meilleure garantie contre les accidents du travail et se révèle indispensable pour compléter n'importe quel programme de prévention.

SYMBOLES VISIBLES SUR LA MACHINE



AVERTISSEMENT !

Lire toutes les instructions avec attention avant d'effectuer toute opération sur la machine.



AVERTISSEMENT !

Ne pas laver la machine avec des jets d'eau directs ou sous pression.



AVERTISSEMENT !

Ne pas utiliser la machine sur des pentes ayant une inclinaison dépassant ce qui est défini dans le cahier des charges.

SYMBOLES UTILISÉS DANS LE MANUEL

**DANGER !**

Cela indique une situation dangereuse exposant l'opérateur au risque de blessure mortelle.

**AVERTISSEMENT !**

Cela indique une situation exposant les personnes au risque de blessures.

**ATTENTION !**

Cela indique un avertissement ou une remarque concernant des fonctions importantes ou utiles. Prêter l'attention aux paragraphes marqués par ce symbole.

**REMARQUE**

Cela indique une remarque sur des fonctions importantes ou utiles.

**CONSULTATION**

Ceci indique la nécessité de se référer aux instruction d'utilisation avant d'entreprendre toute procédure.

INSTRUCTIONS GÉNÉRALES

Les avertissements et précautions spécifiques suivants informent sur les potentiels risques de dommage à la machine ou aux personnes.

**DANGER !**

- Avant d'effectuer toute opération d'entretien, de réparation, de nettoyage ou de remplacement des composants, éteindre la machine et débrancher le connecteur de la batterie.
- Cette machine doit être utilisée uniquement par le personnel adéquatement formé.
- Ne pas porter de bijoux quand on travaille près de composants électriques.
- Ne pas travailler sous la machine soulevée sans qu'elle soit supportée par des béquilles de sécurité.
- Ne pas opérer avec cette machine en présence de poudres, liquides ou vapeurs nuisibles, dangereux, inflammables et / ou explosifs : Cette machine ne convient pas pour la collecte des poudres dangereuses.
- Si des batteries au plomb (WET) sont installées dans la machine, tenir les étincelles, les flammes et les matériaux fumants loin des batteries. Les batteries produisent des gaz potentiellement explosifs pendant l'utilisation ordinaire.
- Si des batteries au plomb (WET) sont installées dans la machine, le chargement des batteries produit un gaz hydrogène très explosif. Soulever le réservoir de récupération pendant le cycle de rechargement des batteries et effectuer cette opération dans un endroit bien aéré, à l'écart des flammes libres.
- Tenir les batteries à l'écart des étincelles, des flammes et de matériaux incandescents. Pendant le fonctionnement normal, des gaz explosifs sont libérés.
- Veuillez lire l'ensemble des avertissements de sécurité et toutes les instructions. Le non-respect des avertissements et des instructions peut entraîner un choc électrique, un incendie et/ou des blessures graves.

**AVERTISSEMENT !**

- Avant d'effectuer toute activité d'entretien/réparation, lire attentivement toutes les instructions qui concernent l'entretien/réparation.
- N'utilisez pas d'autres types de batteries ; utilisez uniquement celle fournie avec la machine ou sa pièce de rechange d'origine.
- Avant chaque utilisation, vérifier la machine pour voir si elle est endommagée.
- Ne la trempez pas dans des liquides.
- Rechargez uniquement avec le chargeur spécifié par le fabricant. Un chargeur adapté à un type de bloc-batterie peut créer un risque d'incendie lorsqu'il est utilisé avec un autre bloc-batterie.
- Dans des conditions abusives, du liquide peut être éjecté de la batterie ; évitez tout contact. En cas de contact accidentel, rincez à l'eau. Si le liquide entre en contact avec les yeux, consultez également un médecin. Le liquide éjecté de la batterie peut causer une irritation ou des brûlures.
- Lorsque le blocbatterie n'est pas utilisé, gardez-le à l'écart d'autres objets métalliques, tels que des trombones, des pièces de monnaie, des clés, des clous, des vis ou d'autres petits objets métalliques qui peuvent établir une connexion d'une borne à une autre. La mise en court-circuit des bornes de la batterie peut provoquer des brûlures ou un incendie.
- N'utilisez pas un bloc-batterie ou un appareil endommagé ou modifié. Les batteries endommagées ou modifiées peuvent présenter un risque imprévisible d'incendie, d'explosion ou de blessure.

- *Suivez toutes les instructions de charge et ne chargez pas le bloc-batterie ou un appareil en dehors de la plage de température spécifiée dans ces instructions. Une charge incorrecte ou à des températures en dehors de la plage spécifiée peut endommager la batterie et augmenter le risque d'incendie.*
- *N'exposez pas un bloc-batterie ou un appareil équipé d'une batterie à un feu ou à une température excessive. Une exposition au feu ou à une température supérieure à 130 °C peut provoquer une explosion.*
- *Faites effectuer l'entretien par un réparateur qualifié en utilisant uniquement des pièces de rechange identiques. Cela garantira la sécurité continue du produit.*
- *Ne pas modifier ou tenter de réparer la batterie.*
- *Ne pas stocker, utiliser ou recharger dans des environnements à une température supérieure à 45 °C.*
- *Ne rechargez pas avec des températures inférieures à 0 °C.*
- *En raison du risque de court-circuit, ne stockez pas la batterie avec des objets métalliques.*
- *Si la batterie est endommagée, apportez-la à un centre de service Nilfisk.*
- *Avant de mettre la machine hors service, retirez la batterie.*
- *Ranger le chargeur de batterie dans un endroit sec.*
- *Si le chargeur de batterie ou le câble est mouillé, ne l'utilisez pas.*
- *N'utilisez pas le chargeur de batterie dans des environnements où il y a des poudres inflammables et/ou des matières explosives.*
- *Ne couvrez pas le chargeur de batterie.*
- *Utilisez toujours le chargeur de batterie fourni avec la machine ou la pièce de rechange d'origine. Éteindre tout d'abord la machine. Débrancher alors le bloc batteries de l'appareil avant tout réglage, changement d'accessoires ou entreposage de l'appareil. De telles mesures de sécurité préventives réduisent le risque de démarrage accidentel de l'appareil.*
- *Utiliser uniquement les appareils avec des blocs-batterie spécifiquement conçus. L'utilisation d'autres blocs-batterie peut créer un risque de blessure et d'incendie.*
- *Gardez le bloc-batterie, y compris les canaux de ventilation et les zones de contact propres, sans saleté ni humidité.*
- *Évitez que la saleté et l'humidité pénètrent à l'intérieur du bloc-batterie pendant le nettoyage.*
- *Avant d'utiliser le chargeur de batterie, s'assurer que la fréquence et la tension indiquées sur la plaque avec numéro de série coïncident avec la tension du réseau.*
- *Ne pas utiliser le câble du chargeur de batterie pour tirer ou transporter la machine et ne pas utiliser le câble comme poignée. Ne pas fermer de porte sur le câble du chargeur de batterie, ne pas tirer le câble sur des surfaces ou coins tranchants. Ne pas faire fonctionner la machine avec le câble du chargeur de batterie.*
- *Éloigner le câble du chargeur de batterie des surfaces chauffées.*
- *Ne pas utiliser la machine si le câble du chargeur de batterie ou la fiche sont endommagés. Si la machine ne fonctionne pas correctement, si elle est endommagée, laissée à l'extérieur ou tombée dans l'eau, la porter dans un centre de service après-vente Nilfisk.*
- *Pour réduire le risque d'incendie, d'électrocution ou de blessure, avant toute procédure d'entretien, débrancher le câble du chargeur de batterie du réseau électrique.*
- *Ne pas fumer pendant le chargement de la batterie.*
- *Protéger toujours la machine du soleil, de la pluie et d'autres intempéries, pendant le fonctionnement et en état d'arrêt. Cette machine doit être utilisée et entreposée à l'intérieur et au sec ; par conséquent elle ne doit pas être utilisée ou conservée à l'extérieur dans des conditions humides.*
- *Avant d'utiliser la machine, fermer toutes les portes et / ou carters comme indiqué dans le Mode d'emploi.*
- *Cette machine n'est pas conçue pour être utilisée par des personnes (y compris des enfants) avec des facultés physiques, sensorielles ou mentales réduites, ou manquant d'expérience et de connaissances.*
- *Les enfants doivent être surveillés afin de s'assurer qu'ils ne jouent pas avec la machine.*
- *Une attention particulière est nécessaire lorsqu'elle est utilisée à proximité d'enfants.*
- *Ne pas utiliser à des fins autres que celles prévues dans ce manuel. Utiliser seulement les accessoires recommandés par Nilfisk.*
- *Contrôler la machine avec soin avant de l'utiliser et vérifier toujours que tous les composants ont été installés correctement avant de mettre la machine en service. L'utilisation de la machine qui n'est pas installée parfaitement peut provoquer des lésions aux personnes et endommager les équipements.*
- *Prendre toutes les précautions nécessaires pour empêcher les cheveux, les bijoux et les vêtements amples d'être happés par des pièces en mouvement de la machine.*
- *Ne pas utiliser la machine sur des pentes ayant une inclinaison dépassant ce qui est défini dans le cahier des charges.*
- *Afin de ne pas compromettre la stabilité, ne pas incliner la machine d'un angle supérieur à la valeur indiquée sur la machine même.*
- *Ne pas utiliser la machine dans des endroits particulièrement poussiéreux.*
- *Utiliser la machine à condition de disposer d'un éclairage adapté.*
- *Pendant l'utilisation de cette machine, prendre soin de ne pas causer de dommages corporels ou matériels.*
- *Ne pas heurter d'étagères ou d'échafaudages, en particulier lorsqu'il y a un risque de chute d'objets.*
- *Ne pas poser de récipients contenant des liquides sur la machine, utiliser le porte-gobelet prévu à cet effet.*
- *La température de travail de la machine doit être comprise entre 0 °C et +40 °C.*
- *La température de stockage de la machine doit être comprise entre 0 °C et +40 °C.*
- *L'humidité doit être comprise entre 30% et 95%.*

- Pendant l'utilisation de détergents pour le nettoyage des sols, suivre toujours les instructions et les avertissements indiqués sur les étiquettes des flacons.
- Avant la manipulation de détergents pour le nettoyage des sols, mettre les gants et les vêtements de protection adéquats.
- Ne pas utiliser la machine comme moyen de transport.
- Ne pas faire travailler la brosse lorsque la machine est à l'arrêt pour ne pas endommager le sol.
- En cas d'incendie, il est préférable d'utiliser un extincteur à poudre, plutôt qu'un extincteur à eau.
- Ne pas altérer pour aucune raison les protections prévues pour la machine, respecter scrupuleusement les instructions prévues pour l'entretien ordinaire.
- Ne pas laisser entrer d'objets dans les ouvertures. Ne pas utiliser la machine si les ouvertures sont bouchées. Toujours garder les ouvertures exemptes de poussière, de poils et de tout autre corps étranger qui pourrait réduire le flux d'air.
- Ne pas enlever ou altérer les plaques installées sur la machine.
- Pour déplacer la machine manuellement, il est nécessaire de débloquer le frein électromagnétique. Après avoir déplacé la machine manuellement, activer à nouveau le frein électromagnétique. Ne jamais utiliser la machine avec le frein électromagnétique désactivé.
- Si l'on doit déplacer la machine par poussée pour des raisons de service (manque de batteries, batteries déchargées, etc.), ne jamais dépasser la vitesse de 4 km/h.
- Cette machine ne doit pas être utilisée sur les routes ou les rues publiques.
- Faire attention pendant le transport de la machine, si la température est sous le point de congélation. L'eau présente dans le réservoir de récupération ou dans les tuyaux pourrait se congeler et endommager sérieusement la machine.
- Utiliser uniquement les brosses livrées avec la machine ou spécifiées dans le Mode d'emploi. L'utilisation de brosses différentes peut compromettre la sécurité.
- S'assurer que les éventuelles anomalies de fonctionnement de la machine ne dépendent pas du manque d'entretien. En cas contraire, demander l'intervention du personnel autorisé ou d'un Service après-vente autorisé.
- En cas de remplacement de pièces, demander les pièces de rechange D'ORIGINE à un Concessionnaire ou Revendeur autorisé.
- Afin de garantir la sécurité et le bon fonctionnement de la machine, faire effectuer l'entretien programmé prévu au chapitre spécifique de ce manuel par du personnel autorisé ou par un Service après-vente autorisé.
- Ne lavez pas la machine avec des jets d'eau directs ou sous pression ou avec des substances corrosives.
- Lors de la mise à la ferraille, la machine ne doit pas être abandonnée par la présence de matériaux toxiques (batteries, etc.), sujets à des lois qui prévoient l'élimination auprès de centres spéciaux (voir le chapitre Mise à la ferraille).
- Cette machine ne doit être utilisée qu'avec l'unité d'alimentation fournie avec l'appareil.
- La machine ne doit être alimentée qu'à très basse tension de sécurité correspondant au marquage sur l'appareil.
- Cette machine est conçue pour l'usage commercial, par exemple dans des hôtels, des écoles, des hôpitaux, des usines, des magasins, des bureaux et des entreprises de location.
- Les opérateurs doivent être formés correctement à l'utilisation de ces machines.
- Respecter le poids brut du véhicule (PBV) de la machine lorsqu'on charge, conduit, lève ou supporte la machine.
- Ne pas fixer les faisceaux laser de la machine. Il pourrait en résulter des lésions oculaires permanentes. Lorsque l'exposition oculaire est de courte durée, par exemple pour vérifier s'ils fonctionnent, les lasers sont sans danger pour les yeux. Ne pas fixer directement les lasers sans porter de lunettes de protection laser.
- Afin d'empêcher une utilisation non autorisée de la machine, la source d'alimentation doit être éteinte ou verrouillée, par exemple en coupant la machine.
- Les machines laissées sans surveillance doivent être bloquées afin d'empêcher tout mouvement involontaire.

Les produits Nilfisk agréés pour 61000-6-8 doivent inclure les déclarations suivantes dans le manuel :

Cet équipement répond aux exigences des sites commerciaux et de l'industrie légère lorsqu'il est installé et entretenu par des professionnels.

L'installation et l'entretien doivent être effectués par un professionnel de la compatibilité électromagnétique (CEM).

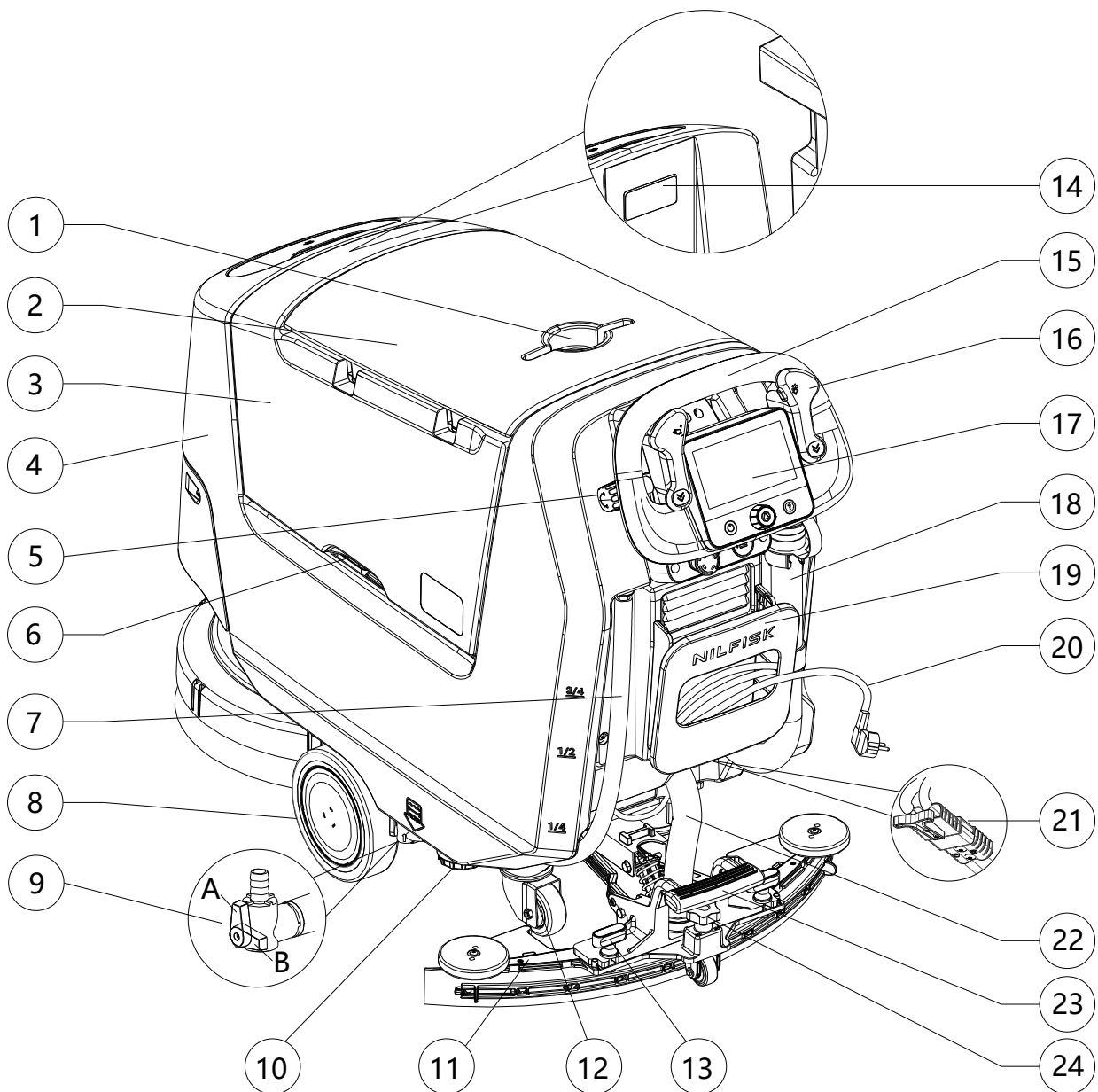
L'installateur professionnel doit évaluer la situation CEM avant l'installation, si l'équipement est installé à moins de 30 m d'un lieu résidentiel.

Attention : Cet équipement n'est pas conçu pour être utilisé dans des lieux résidentiels et ne garantira pas une protection adéquate de la réception radio dans de tels lieux.

DESCRIPTION DE LA MACHINE

STRUCTURE DE LA MACHINE

- | | |
|--|--|
| <ul style="list-style-type: none"> 1. Porte-boissons 2. Couvercle du réservoir de récupération 3. Réservoir de récupération 4. Réservoir de solution 5. Bouton de verrouillage du guidon (T) 6. Poignée de soulèvement réservoirs 7. Tuyau de niveau et de vidange solution 8. Roues avant de traction 9. Robinet de solution: <ul style="list-style-type: none"> A) Vanne ouverte (T) B) Vanne fermée (T) 10. Filtre de solution (T) 11. Raclette 12. Roues arrière pivotantes 13. Boutons de fixation de la raclette (T) | <ul style="list-style-type: none"> 14. Plaque avec numéro de série/données techniques/marquage de conformité 15. Poignée de conduite 16. Manette d'actionnement et marche avant / arrière 17. Panneau de commande 18. Tuyau de vidange de l'eau de récupération (T) 19. Logement câble chargeur de batterie et porte-documents 20. Câble du chargeur de batterie 21. Connecteur (rouge) des batteries. 22. Tuyau d'aspiration de la raclette 23. Pédale de soulèvement / abaissement raclette 24. Poignée de réglage de la raclette (T) |
|--|--|

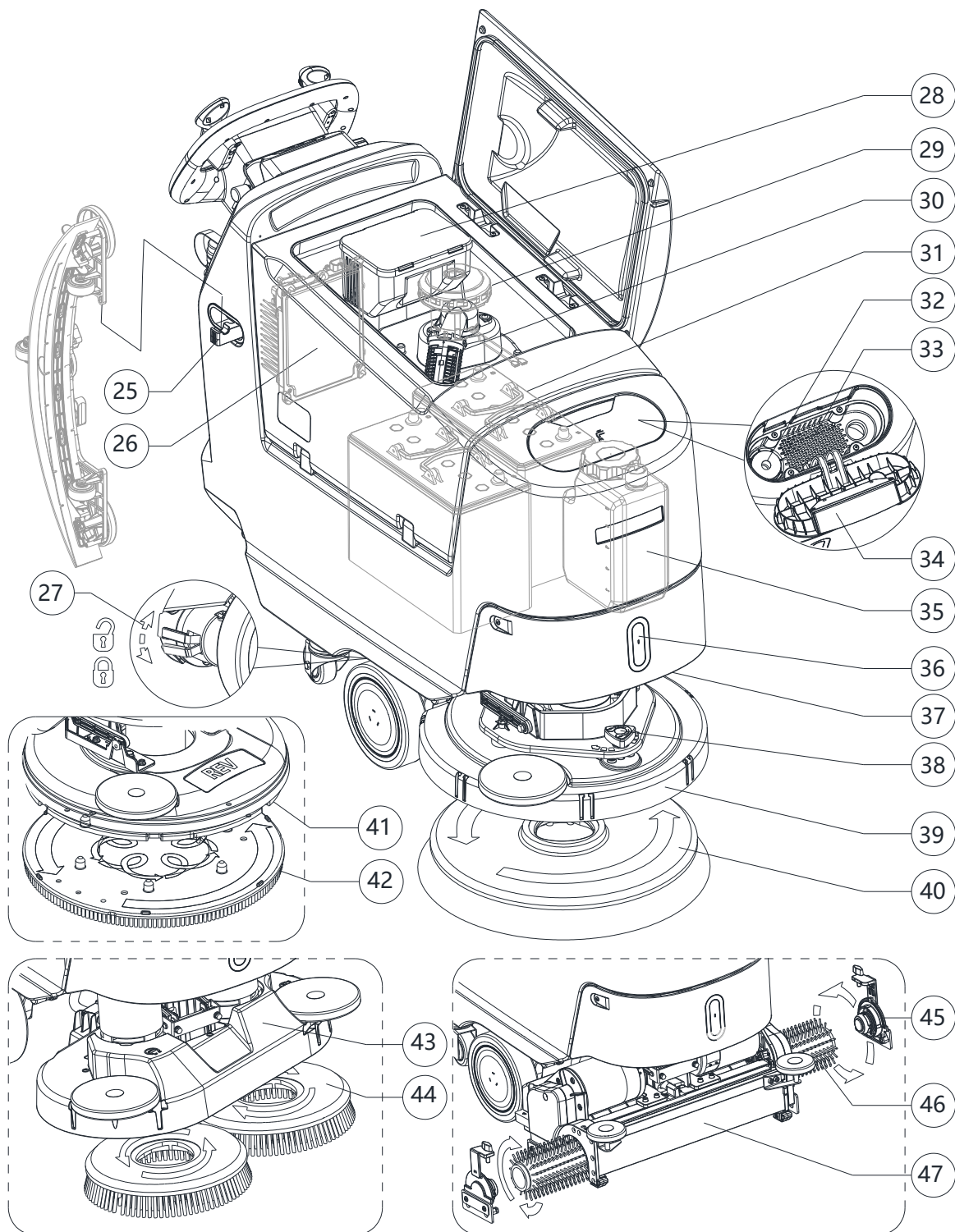


STRUCTURE DE LA MACHINE (suite)

- 25. Crochet de la raclette (T)
- 26. Chargeur de batterie
- 27. Levier de blocage / déblocage frein électromagnétique
- 28. Réservoir de collecte des débris (T)
- 29. Moteur du système d'aspiration
- 30. Grille d'aspiration avec fermeture automatique à flotteur
- 31. Batteries
- 32. Tuyau extractible de remplissage d'eau (T)
- 33. Goulotte de remplissage du réservoir de solution
- 34. Bouchon de goulotte de remplissage avant du réservoir de solution (T)
- 35. Cartouche de détergent EcoFlex
- 36. Feu avant/Feu avant avec laser (*)
- 37. Panneau avant
- 38. Bouton de réglage d'avance rectiligne

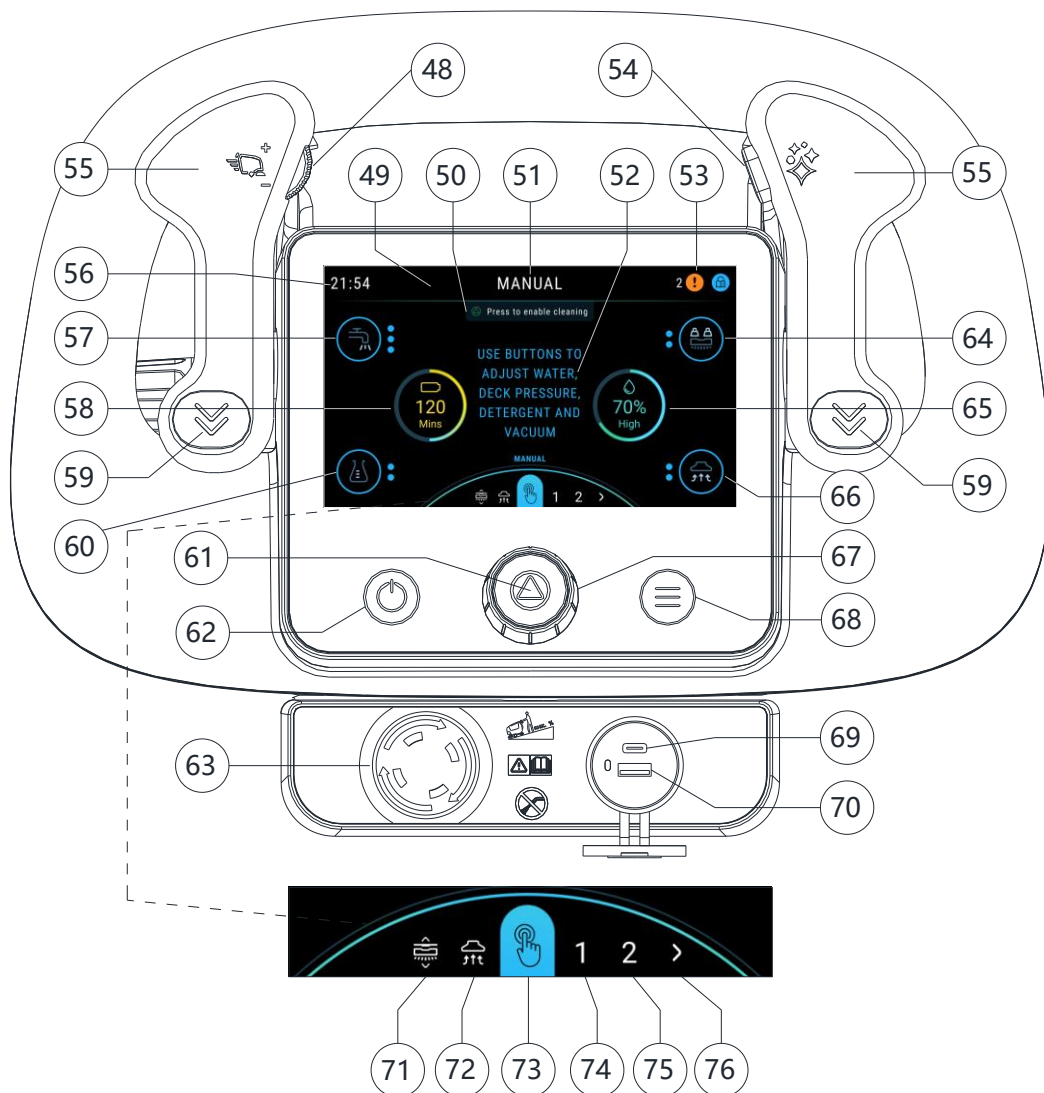
- 39. Plateau de lavage de brosses à disque
- 40. Brosse à disque unique
- 41. Plateau REV (R)
- 42. Brosse REV (R)
- 43. Plateau de brosse à disque double (D)
- 44. Brosse à disque double (D)
- 45. Crochet latéral de brosse cylindrique (C)
- 46. Brosse cylindrique (C)
- 47. Plateau de lavage avec brosses cylindriques (C)

- (*) Optionnel pour la version de BASE
- (R) Pour la version REV uniquement
- (D) Pour la version à disque double uniquement
- (C) Pour la version avec brosses cylindriques uniquement
- (T) Point de contact de couleur bleue



PANNEAU DE COMMANDE

- 48. Bouton de commande de vitesse (T)
 - 49. En-tête
 - 50. Zone d'invite
 - 51. Nom du préréglage
 - 52. Zone d'information
 - 53. Zone d'état
 - 54. Bouton de puissance supplémentaire (T)
 - 55. Manette de marche avant
 - 56. Horloge
 - 57. Bouton de niveau d'eau (uniquement en mode manuel)
 - 58. Graphique de niveau de batterie
 - 59. Manette de marche arrière
 - 60. Bouton de niveau de détergent (uniquement en mode manuel)
 - 61. Bouton marche / arrêt / sélection
 - 62. Bouton d'alimentation
 - 63. Bouton d'arrêt d'urgence
 - 64. Bouton de pression du plateau (uniquement en mode manuel)
 - 65. Graphique de niveau d'eau
 - 66. Bouton d'aspiration (uniquement en modes manuel et d'aspiration)
 - 67. Bouton intelligent (T)
 - 68. Bouton de menu
 - 69. Type C
 - 70. USB-A
 - 71. Mode de marche / arrêt de la brosse par déclic (machine à brosse à disque uniquement)
 - 72. Mode d'aspiration uniquement
 - 73. Mode manuel
 - 74. Mode de préréglage 1
 - 75. Mode de préréglage 2
 - 76. Plus de préréglages
- (T) Point de contact de couleur bleue



ACCESSOIRES/OPTIONS

En plus des composants standards, la machine peut être équipée des accessoires/options suivants, selon l'utilisation spécifique de la machine :

- Batterie GEL/Batteries Li-ion
- Chargeur de batterie électronique
- Brosses de matériaux différents
- Tampons de différents matériaux
- Dispositif de connectivité
- Chariot
- Bavette garde-boue
- Autre matériau des lames
- EcoFlex
- Système de remplissage automatique
- KIT FOB (porte-clé)
- Porte balai à franges

Pour de plus amples informations relatives aux accessoires optionnels susmentionnés, s'adresser au revendeur agréé.

DONNÉES TECHNIQUES

Modèle	SC550 53D	SC550 61D	SC550 51C	SC550 51R
Réservoir de solution	13.2 US gal (50 liters)			
Réservoir de récupération	13.2 US gal (50 liters)			
Dimensions de la machine (L x l x h)	52.36x21.3x41.3 in (1330x540x1050 mm)	52.8x26.8x41.3 in (1340x680x1050 mm)	50.8x23.2x41.3 in (1290x590x1050 mm)	53.5x21.3x41.3 in (1360x540x1050 mm)
Largeur de la raclette	29in (730mm)	32 in (810mm)		29in (730mm)
Largeur de lavage	21 in/20 in (530 mm/508 mm)	24 in (610 mm)	20 in (508 mm)	20 in (508 mm)
Diamètre des roues motrices	7.8 in (200 mm)			
Pression spécifique des roues motrices sur le sol (GVW)	75 psi (0.52 N/mm ²)	74 psi (0.51 N/mm ²)	73 psi (0.5 N/mm ²)	71 psi (0.49 N/mm ²)
Diamètre de roue arrière	3.2 in (80 mm)			
Pression spécifique des roues arrière sur le sol (GVW)	297 psi (2.05 N/mm ²)	203 psi (1.4 N/mm ²)	280 psi (1.93 N/mm ²)	284 psi (1.96 N/mm ²)
Support de pression de brosse/max	33 lb/66 lb (15 kg/30 kg)	55 lb /66 lb (25 kg/30 kg)	48.5 lb (22 kg)	48.5 lb /66 lb (22 kg/30 kg)
Valeurs de débit de solution	0,75/1,5/3,0 cl/meter	0,90/1,8/3,6 cl/meter	1,0/1,83/2,8 cl/meter	0,38/0,75/1,5 cl/meter
Mode plein débit de solution	0.98 gpm (3,7 liter/minute)			
Pourcentage de détergent du système EcoFlex	Ratio 1:400 ÷ 1:33 (0.25 % ÷ 3 %)			
Niveau de pression acoustique à l'oreille de l'opérateur (ISO 11201, ISO 4871, EN 60335-2-72) (LpA) Mode normal/Mode silencieux	63±3 dB(A)/ 56±3 dB(A)	65±3 dB(A) / 61±3 dB(A)	65±3 dB(A)/ 59±3 dB(A)	65±3 dB(A) / 62±3 dB(A)
Puissance acoustique émise par la machine (ISO 3744, ISO 4871, EN 60335-2-72) (LwA) Mode normal/Mode silencieux	75 dB(A) / 71dB(A)	80 dB(A) / 75 dB(A)	77 dB(A) / 76 dB(A)	78 dB(A) / 77 dB(A)
Niveau de vibrations au bras de l'opérateur (ISO 5349-1, EN 60335-2-72)	< 98.4 in/s ² (< 2.5 m/s ²)			
Pente maximum d'utilisation (*1)	10 %			
Puissance du moteur du système de traction	24V/0.27 hp (24V/200 W)			
Vitesse du conducteur	0 - 3.1 mi/h (0 - 5 km/h)			
Moteur d'aspiration	24V/0.48 hp (24V/350 W)			
Capacité du circuit du système d'aspiration Mode normal/Mode silencieux	Normal: 29.9 in H ₂ O (760 mm H ₂ O) Silent: 16.1 in H ₂ O (410 mm H ₂ O)			
Moteur de brosse	24V/0.6 hp (24V/450 W)	(2x) 24V/0.6 hp ((2x) 24V/450 W)	(2x) 24V/0.4 hp ((2x) 24V/300 W)	24V/0.48 hp (24V/350 W)
Vitesse de brosse	120 rpm	120 rpm	600 rpm	-
Puissance nominale en entrée (*2)	1.1 hp (830 W)	0.85 hp (630 W)	0.9 hp (680 W)	0.76 hp (560 W)
Indice de protection IP	X4			
Classe de protection (électrique)	III			
Dimensions du compartiment de la batterie (L x l x h)	13.8x13.8x10.2 in (350x350x260 mm)			
Tension du système	24V			
Batteries standards Li-ion 50Ah*1	24V 50Ah			
Chargeur de batterie Li-ion	24V 27.1A			
Temps de fonctionnement max. Li-ion 50Ah (*) Mode ECO (50Ah 1pcs)	3.7 hour	3.4 hour	3.6 hour	3.8 hour
Temps de fonctionnement max. Li-ion 50Ah (*) Mode normal (50Ah 1pc)	3.6 hour	3 hour	2.8 hour	3.2 hour
Poids sans batterie et avec réservoirs vides	231 lb (105 kg)	254 lb (115 kg)	245 lb (111kg)	234 lb (106 kg)
Poids brut du véhicule avec batterie Li-ion (50Ah) (GVW)	381 lb (173 kg)	403 lb (183 kg)	395 lb (179 kg)	384 lb (174 kg)
Poids d'expédition avec batterie Li-ion (50Ah) (colis complet)	326 lb (148 kg)	348 lb (158 kg)	340 lb (154 kg)	329 lb (149 kg)

(*) Valeurs en conditions standard de travail (EN 60335-2-72)

(*1) La longueur maximum d'utilisation continue sur la pente doit être inférieure à 20 mètres.

SCHÉMA DE CÂBLAGE
(SYSTÈME DE BATTERIE LI-ION)

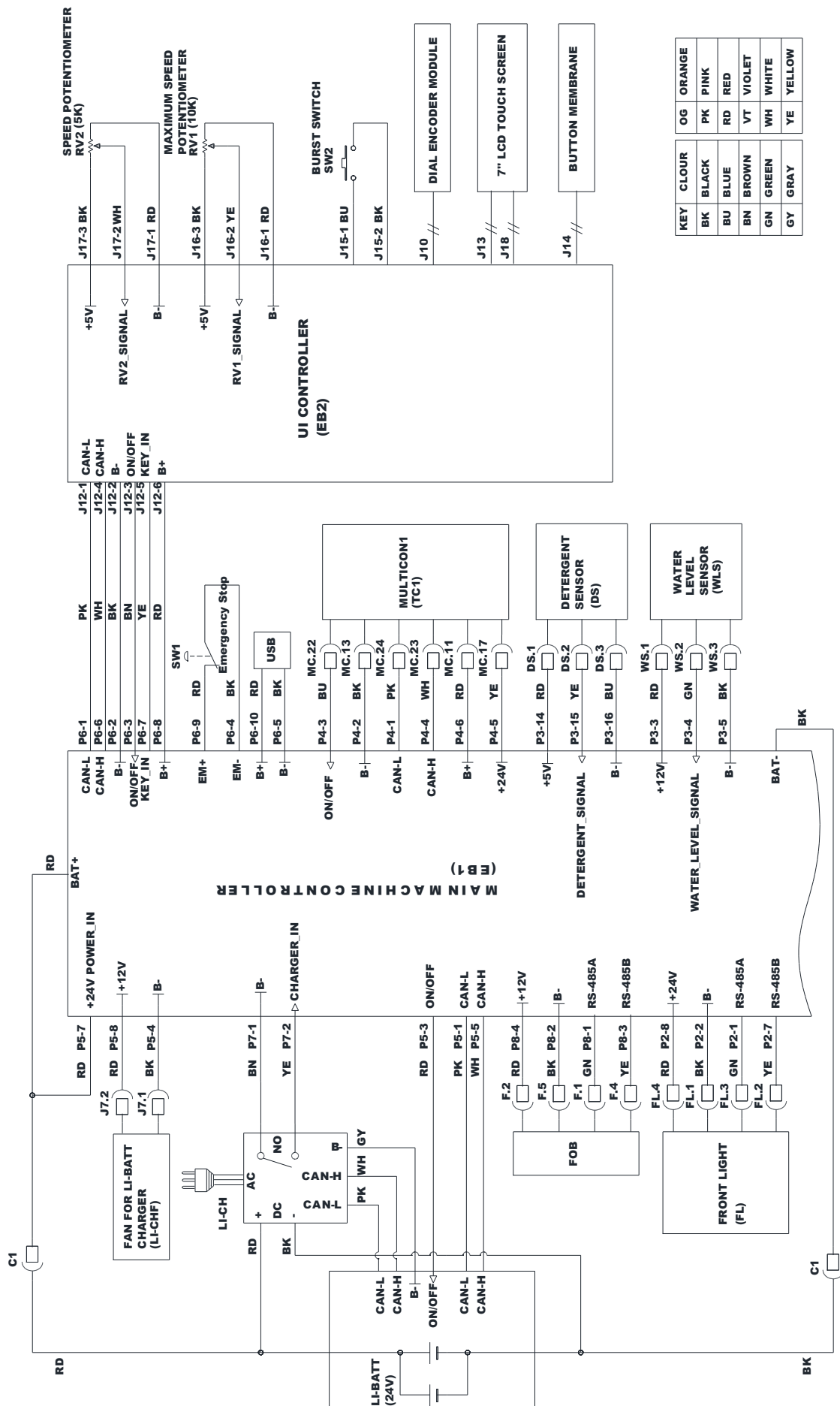
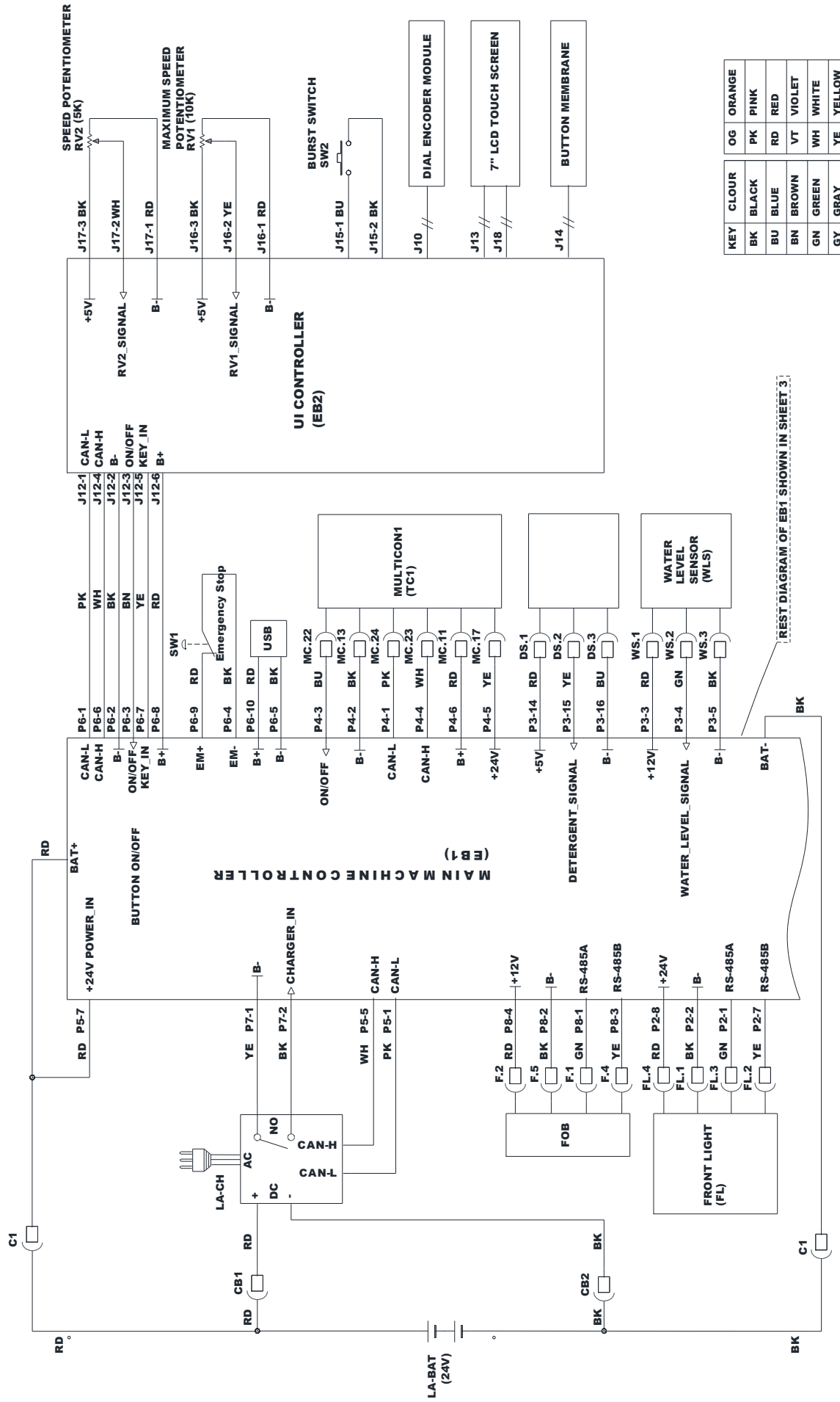


SCHÉMA DE CÂBLAGE

(SYSTÈME DE LA BATTERIE AU PLOMB)

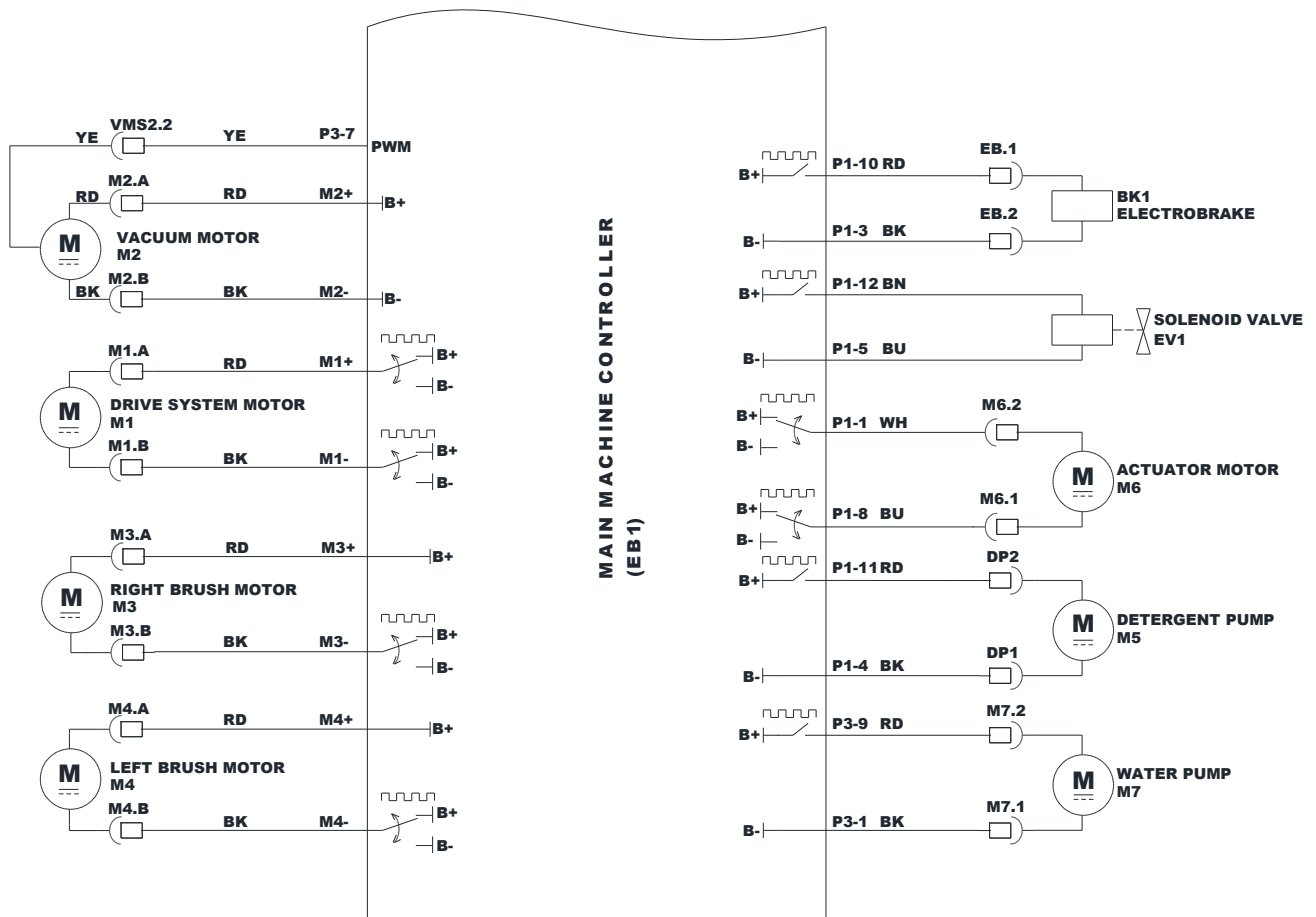


KEY	CLOUR	OG	ORANGE
BK	BLACK	PK	PINK
BU	BLUE	RD	RED
BN	BROWN	VT	VIOLET
GN	GREEN	WH	WHITE
GY	GRAY	YE	YELLOW

REST DIAGRAM OF EB1 SHOWN IN SHEET 3

SCHÉMA DE CÂBLAGE

(PARTIES COMMUNES)



Légende

LI-BAT	BATTERIE LI-ION (24V 50Ah) SIP
LI-CH	CHARGEUR DE BATTERIE LI-ION 24V 27A SIP
LI-CHF	VENTILATEUR CC SIP
LA-BAT	BATTERIES AU PLOMB
LA-CH	CHARGEUR DE BATTERIE AU PLOMB
FOB	KIT FOB (porte-clé)
FL	FEU AVANT W LASER SIP FEU AVANT SIP
EB1	CONTRÔLEUR PRINCIPAL DE LA MACHINE SIP
EB2	MODULE D'INTERFACE UTILISATEUR SIP
TC1	DISPOSITIF DE CONNECTIVITÉ
DS	CAPTEUR DE NIVEAU DU DÉTERGENT SIP
WLS	CAPTEUR DE NIVEAU D'EAU SIP
RV1	KIT DE RÉGLAGE DE VITESSE MANETTE F
RV2	POTENTIOMÈTRE 5K SIP
M3	MOTEUR ÉLECTRIQUE 350W 24V SIP MOTORÉDUCTEUR 450W 24V SIP MOTORÉDUCTEUR 450W 24V SIP MOTEUR CYL 24V 300W 1500 TR/MIN SIP

Codes des couleurs

BK	NOIR
BU	BLUE
BN	BROWN
GN	VERT
GY	GRIS
OG	ORANGE

M4	MOTORÉDUCTEUR 450W 24V SIP
M1	MOTEUR CYL 24V 300W 1500 TR/MIN SIP
M2	KIT MOTEUR DE TRACTION 24V 200W
M5	MOTEUR D'ASPIRATION BLDC 24V 350W SIP
M6	POMPE PÉRISTALTIQUE MÉLANGE DE DÉTERGENT 24V SIP
M7	ACTIONNEUR 24V 550N 105MM SIP
EV1	ACTIONNEUR LINÉAIRE 24V DC STRK 120MM SIP
BK1	ACTIONNEUR LINÉAIRE 24V DC STRK 98MM SIP
USB	POMPE DE SOLUTION 24V 3,8L/MIN 40PSI SIP
CADRAN MODULE ENCODEUR	ÉLECTROVANNE 24V SIP
MEMBRANE DU BOUTON	FREIN ÉLECTROMAGNÉTIQUE SIP
ÉCRAN TACTILE À CRISTAUX LIQUIDES DE 7"	PORT USB SIP
SW1	MODULE D'INTERFACE UTILISATEUR SIP
SW2	MODULE D'INTERFACE UTILISATEUR SIP
	MODULE D'INTERFACE UTILISATEUR SIP
	MODULE D'INTERFACE UTILISATEUR SIP
	KIT D'URGENCE INTERRUPTEUR
	KIT HAUTE PERFORMANCE MANETTE F

PK	PINK
RD	ROUGE
VT	VIOLET
WH	BLANC
YE	JAUNE

UTILISATION/FONCTIONNEMENT



AVERTISSEMENT !

En certains endroits de la machine il y a des plaques adhésives indiquant :

- **DANGER**
- **AVERTISSEMENT**
- **ATTENTION**
- **CONSULTATION**

Lors de la lecture de ce manuel, l'opérateur doit bien comprendre le sens des symboles illustrés sur les plaques (voir le paragraphe Symboles visibles sur la machine).

Ne pas couvrir ces plaques et les remplacer immédiatement si elles sont abîmées.

INTERFACE DE CRÉATION ET DE CONNEXION D'UN NOUVEL UTILISATEUR

1. Lorsque la machine est mise en marche pour la première fois, elle guidera la création d'un compte « UTILISATEUR SUPERVISEUR ». Cet utilisateur est la plus haute autorité de la machine et l'opérateur doit terminer la création de ce compte pour passer à l'étape suivante.

Le « SUPERVISEUR UTILISATEUR » peut créer d'autres utilisateurs dans les paramètres/ l'interface d'accès utilisateur. (voir le paragraphe de l'INTERFACE DE MENU dans le chapitre Entretien)

- Mot de passe « UTILISATEUR STAGIAIRE » (0000) Pour la première utilisation / nouvel opérateur. La principale différence réside dans les démarrages en mode d'entraînement avec toutes les fenêtres contextuelles activées.
- Mot de passe « UTILISATEUR DE BASE » (création par « UTILISATEUR SUPERVISEUR ») Pour l'utilisateur général, seuls les pré-réglages activés par le superviseur sont disponibles. (Pas de mode manuel disponible).
- Mot de passe « UTILISATEUR AVANCÉ » (création par « UTILISATEUR SUPERVISEUR ») Mode manuel disponible. Possibilité de modifier les ratios / paramètres de détergent.
- Mot de passe « UTILISATEUR SUPERVISEUR » (créé lorsque la machine est activée pour la première fois ou création par un « UTILISATEUR SUPERVISEUR » existant) Tous les paramètres et pré-réglages sont disponibles, possibilité d'ajouter de nouveaux utilisateurs, de modifier la configuration du plateau, de changer les batteries, etc.

2. Après son redémarrage, la machine entrera dans l'interface de connexion par mot de passe illustrée à la figure 1 ; saisir alors le mot de passe personnel pour démarrer la machine.



Figure 1

VÉRIFICATION/RÉGLAGE DE LA BATTERIE SUR UNE NOUVELLE MACHINE



AVERTISSEMENT !

Les composants électriques de la machine peuvent être sérieusement endommagés si les batteries sont mal installées ou mal connectées.

Les batteries doivent être uniquement installées par un personnel qualifié.

Vérifier les dommages de la batterie avant l'installation.

Manipuler les batteries avec grande précaution.

VERSION BATTERIE LI-ION : La machine nécessite au moins une batterie de 24V, branchées selon le schéma indiqué dans la figure 2.

VERSION DE LA BATTERIE AU PLOMB : La machine requiert 2 batteries de 12V, branchées selon le schéma indiqué dans la figure 3.

Batteries déjà installées dans la machine

1. S'assurer que le connecteur des batteries (21) soit branché.
2. Lors de la première utilisation de la machine avec des batteries neuves, effectuer un cycle de rechargement complet des batteries (voir la procédure dans le chapitre Entretien).

INSTALLATION DES BATTERIES



DANGER !

Cette machine fonctionne avec une batterie aux ions de lithium scellée à usage exclusif.

Installation de batterie Li-ion

1. Couper la machine avec le bouton marche/arrêt (62).
2. Débrancher le connecteur (21) des batteries.
3. Ouvrir le couvercle (2) et vérifier si le réservoir de récupération (3) est vide. Dans le cas contraire, le vider au moyen du tuyau de vidange (18).
4. Fermer le couvercle (2).
5. Saisir la poignée (6) et soulever le réservoir (3) avec soin.
6. Desserrer les vis pour démonter le couvercle de la boîte (le cas échéant).
7. L'opérateur doit d'abord débrancher le pôle positif, puis le câble de commande. Il débranche ensuite le pôle négatif de la batterie, soulève légèrement la batterie et peut alors la retirer du côté gauche ou droit.
8. Remettre la batterie neuve sur la machine et rebrancher les pôles et le câble de commande sur la batterie.



DANGER !

En cas de batterie Li-ion 24 V 64 Ah, faire particulièrement attention lorsque l'on connecte les broches de la batterie. Il faut d'abord brancher le câble noir à la borne négative (-) de la batterie, puis le câble de commande et enfin, brancher le câble rouge à la borne positive (+). Une erreur lors du branchement ou dans l'ordre des opérations peut endommager la batterie.

9. Fermer le couvercle du boîtier et resserrer les vis qui avaient été dévissées puis fermer le couvercle.

Chargement des batteries

10. Effectuer un cycle de rechargement complet des batteries (voir la procédure au chapitre Entretien).

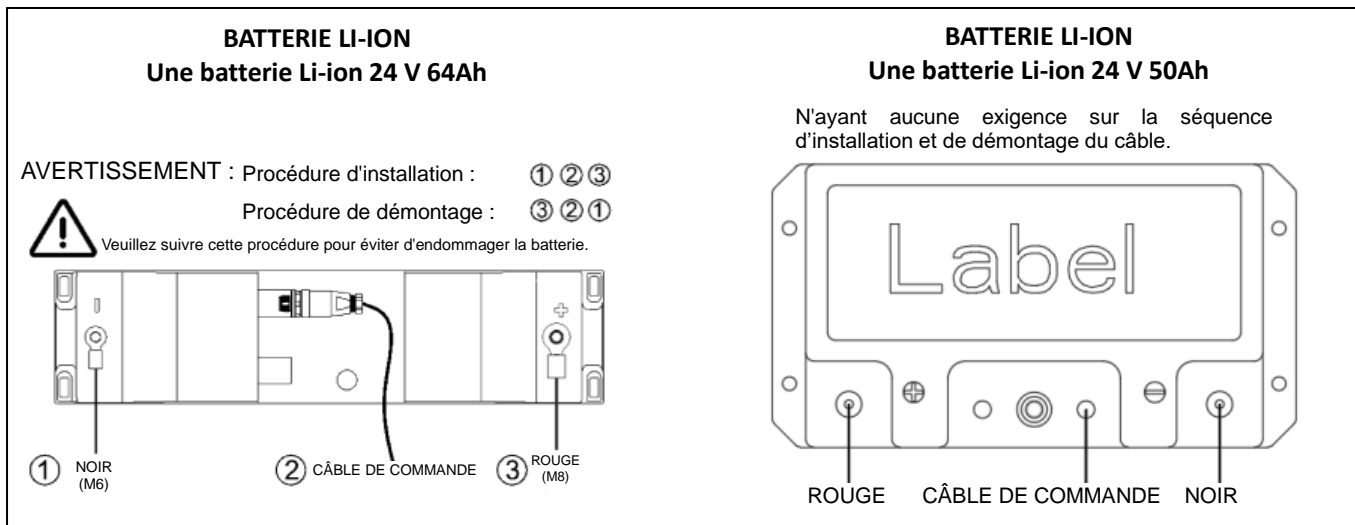


Figure 2

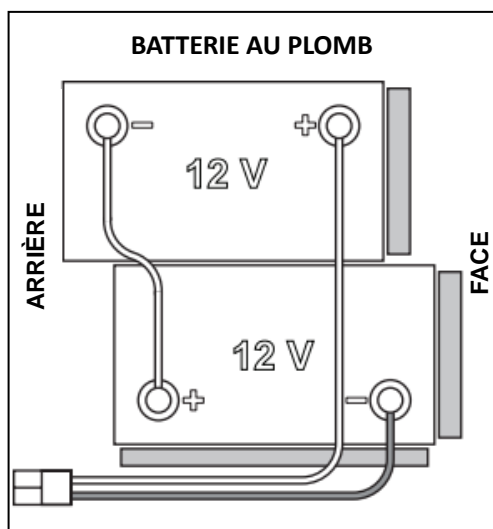


Figure 3

AVANT LE DÉMARRAGE DE LA MACHINE




AVERTISSEMENT !

Lors de l'allumage de la machine, vérifier qu'il n'y a pas de corps étranger entre le plateau et le groupe réservoir qui empêcherait le mouvement du plateau. Lorsqu'on rallume la machine, le plateau se soulève automatiquement, si la machine a été éteinte sans que l'on ait soulevé le plateau.

Installation / retrait de la brosse ou du porte-tampon (système avec brosse à disque)


La machine peut être équipée de la brosse (A, Fig. 4) et du plateau porte-tampon (B) avec tampon (C), en fonction du traitement à effectuer sur le sol.

1. Placer la brosse (A) ou le porte-tampon (B) sous le plateau de lavage (39)/plateau de brosse à disque double (43).
2. Appuyer sur le bouton marche/arrêt (62) et saisir le mot de passe pour démarrer la machine. Bouton cadran rotatif (67) pour sélectionner le mode de marche/arrêt de la brosse (71), appuyer sur le bouton cadran (61) pour confirmer.
3. Appuyer sur le bouton Attacher la (les) brosse(s)  à l'écran pour abaisser le plateau sur la brosse.
4. Les moteurs de brosses tournent automatiquement jusqu'à ce que la brosse soit engagée.



ATTENTION !

Vérifier que la brosse est placée directement en dessous et répéter la procédure si elle ne s'installe pas en douceur. Le fait de balancer légèrement la machine d'un côté à l'autre en fonction de la position de la brosse peut améliorer les chances de succès de l'installation automatique.

5. Pour retirer la brosse, le plateau doit être soulevé ainsi que le bouton cadran rotatif (67) de sélection du mode de marche/arrêt par dé clic de la brosse. Appuyer sur le bouton cadran (61) pour confirmer. Appuyer sur le bouton Relâcher la (les) brosse(s) . La brosse va fonctionner pendant quelques secondes et s'arrêter ; attendre que la brosse soit descendue sur le sol.

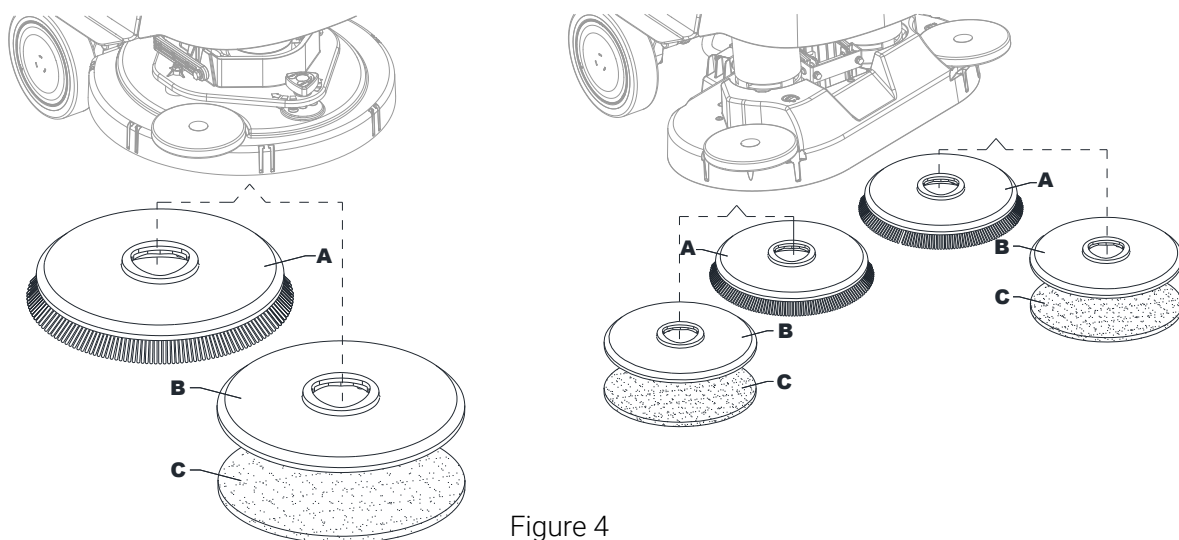


Figure 4

Types de brosses disponibles et suggestions pour le choix

Modèles	46 GRIT	80 GRIT	180 GRIT	240 GRIT	500 GRIT	PROLENE	PROLITE	UNION MIX
Nettoyage général :								
Béton								
Pavage terrasse								
Carreaux de céramique/pierres de taille								
Marbre								
Carreaux de vinyle								
Carreaux de caoutchouc								
Polissage :								
Carreaux de caoutchouc								
Marbre								
Carreaux de vinyle								

Installation / retrait du porte-tampon (système REV)

1. S'assurer que le plateau REV (41) est soulevé.
2. Couper la machine avec le bouton marche/arrêt (62).
3. En fonction du traitement à effectuer sur le sol, installer le tampon (A, Fig. 5) ou la brosse (C, en option) en suivant les instructions ci-dessous :
 - Placer le tampon (A) sous le plateau et l'appuyer jusqu'à la fixation avec le velcro du disque d'entraînement (B).
 - Placer la brosse (C, optionnelle) sous la tête, puis faire correspondre les pions de centrage (D) aux trous respectifs du disque d'entraînement (B), ensuite accrocher la brosse avec les trois vis de fixation (E).
4. Pour déposer le tampon ou la brosse procéder dans l'ordre inverse de la repose.

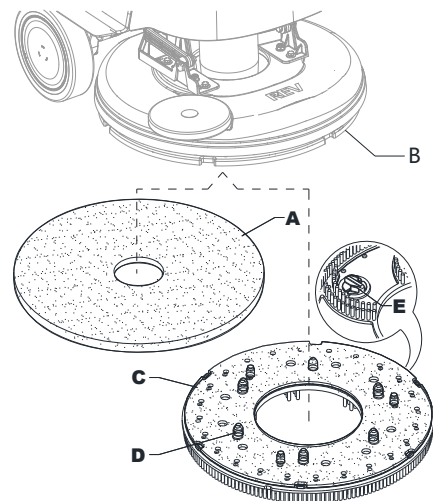


Figure 5

Installation/retrait de la brosse (système avec brosses cylindriques)

1. S'assurer que le plateau de lavage avec brosses cylindriques (47) est soulevé.
2. Couper la machine avec le bouton marche/arrêt (62).
3. En fonction du traitement à effectuer sur le sol, installer la brosse (B, Fig. 6) en suivant les instructions ci-dessous :
 - Relâcher la vis (A) et retirer le crochet latéral (C) du plateau de lavage (D).
 - Installer la brosse (B) dans le plateau (D). Installer le crochet latéral (C) pour la brosse et verrouiller la vis (A).
4. Pour retirer la brosse, procéder dans l'ordre inverse de la pose.

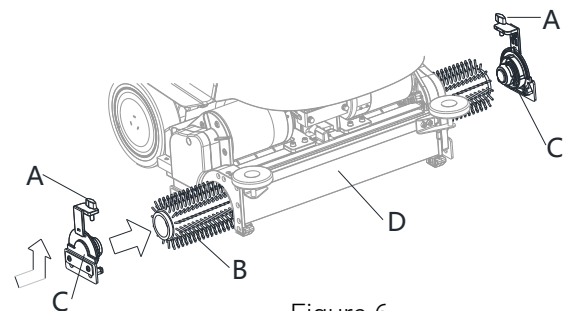


Figure 6

Installation de la raclette

1. Installer la raclette (A, Fig. 7) et la fixer à l'étrier (C) avec les boutons (B).
2. Si nécessaire, régler la raclette avec la poignée (D) de sorte que la lame arrière (E) et la lame avant (F) touchent le sol, comme indiqué dans la figure.

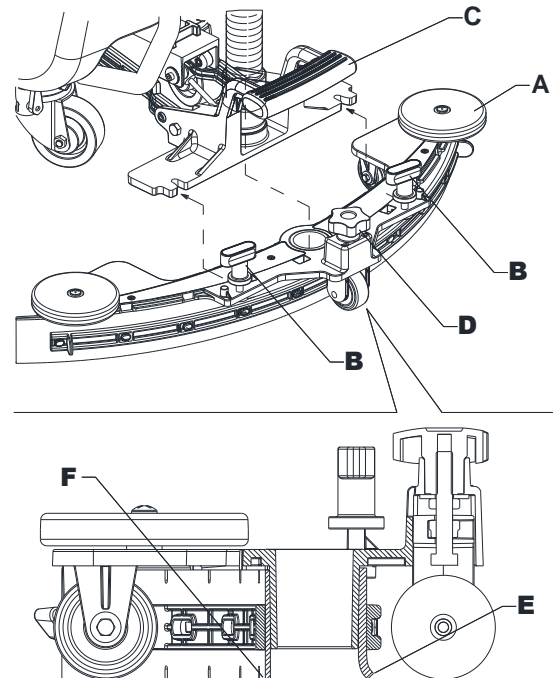


Figure 7

Remplissage du réservoir de solution



ATTENTION !

Utiliser uniquement des détergents peu moussants et non-inflammables, qui sont destinés à des applications de nettoyage en autolaveuse.



AVERTISSEMENT !

Pendant l'utilisation de détergents pour le nettoyage des sols, suivre toujours les instructions et les avertissements indiqués sur les étiquettes des flacons.

Avant la manipulation de détergents pour le nettoyage des sols, mettre les gants et les vêtements de protection adéquats.



REMARQUE

Si la machine est équipée du système EcoFlex, verser de l'eau propre ou de la solution détergente dans le réservoir.

1. S'assurer que le robinet de solution (9) est en position ouverte (9-A).
2. Pour remplir le réservoir de solution (4), utiliser la goulotte de remplissage avant (33).

(Pour machines sans système EcoFlex)

3. Remplir le réservoir (4) avec une solution adéquate au travail à effectuer. Ne jamais remplir complètement le réservoir, mais laisser toujours quelques pouces ou centimètres du bord. Utiliser le tuyau de niveau (7) comme référence. Suivre toujours les instructions de dilution sur l'étiquette du conteneur du produit chimique utilisé pour la solution. La température de la solution ne doit jamais être supérieure à 40°C.

(Pour machines avec système EcoFlex)

4. Remplir le réservoir (4) avec de l'eau propre. Utiliser le tuyau amovible de remplissage d'eau (32). Ne jamais remplir complètement le réservoir, mais laisser toujours quelques centimètres du bord. Utiliser le tuyau de niveau (7) comme référence. La température de l'eau ne doit jamais être supérieure à 40°C.

Remplissage du réservoir de détergent (pour machines avec système EcoFlex)

- Ouvrir le couvercle (2) et vérifier si le réservoir de récupération (3) est vide. Dans le cas contraire, le vider au moyen du tuyau de vidange (18).
- Fermer le couvercle (2).
- Saisir la poignée (6) et soulever le réservoir (3) avec soin.
- Remplir le réservoir (34) avec un détergent adéquat au travail à effectuer (détergent à haute concentration). Ne jamais remplir complètement le réservoir du détergent, mais laisser toujours quelques centimètres du bord.

**REMARQUE**

Pour accélérer le remplissage des tuyaux et le fonctionnement du système (en cas de nouveau système, si le système a été vidé pour le nettoyage, etc.), il peut être bon de lancer d'abord un programme de PURGE de détergent. (voir la procédure au chapitre Entretien).

Réglage de l'angle du levier de commande

- Vérifiez que la machine est arrêtée.
- Dévisser le bouton de verrouillage de la poignée (5) jusqu'à ce que le guidon (B, Fig. 8) puisse être déplacé.
- Régler à l'angle de fonctionnement et verrouiller par le bouton de verrouillage de la poignée (A).

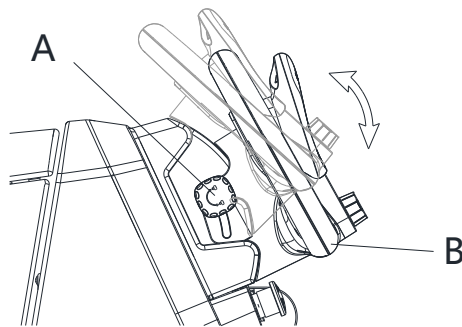


Figure 8

DÉMARRAGE ET ARRÊT DE LA MACHINE**Démarrage de la machine**

- Préparer la machine comme indiqué dans le paragraphe précédent.
- Appuyer sur le bouton marche/arrêt (62). Dans les 2 premières secondes après le démarrage de la machine, l'écran affiche l'interface du mot de passe. Saisir le mot de passe pour démarrer la machine.
- L'écran affiche l'interface principale.

**REMARQUE**

Contrôler l'état de charge des batteries. Lorsque l'écran affiche le symbole (58) de batterie déchargée, les batteries doivent être rechargées (voir la procédure au chapitre Entretien).

- Se porter sur le lieu de travail, en démarrant la machine avec les mains sur la poignée de conduite (15) et en poussant la manette (16) en avant pour la marche avant et en arrière pour la marche arrière. La vitesse d'avance est réglable par la pression plus ou moins grande sur la manette (16). La vitesse maximale se règle avec le bouton de réglage de la vitesse (48).

Arrêt de la machine

- Arrêter la machine, en relâchant la manette (16).
- Couper la machine en appuyant sur le bouton marche/arrêt (62).

**REMARQUE**

La machine, laissée allumée mais à l'arrêt de toute activité de travail, se désactive automatiquement au bout de 5 minutes.

- S'assurer que la machine ne peut pas bouger de façon autonome.

**AVERTISSEMENT !**

En cas de nécessité immédiate, appuyer sur le bouton d'arrêt d'urgence (63) pour arrêter toutes les fonctions de la machine.

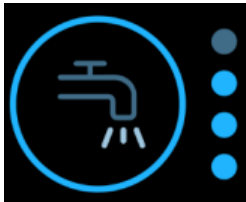
MACHINE AU TRAVAIL (LAVAGE/SÉCHAGE)

- Démarrer la machine comme prévu au paragraphe précédent.
- Baisser la raclette (11) au moyen de la pédale (23).
- Appuyer sur le bouton marche/arrêt (62) et saisir le mot de passe pour démarrer la machine. Bouton cadran rotatif (67) pour sélectionner le mode de nettoyage comme suit et appuyer sur le bouton cadran (61) pour confirmer.
 - Mode manuel (73) - Le débit de solution, le débit de détergent, la pression de la brosse, le niveau de vide peuvent être ajustés à l'écran.
 - Mode de nettoyage intelligent (74)- Préréglage, il ne peut pas être réglé à l'écran.
 - Mode de nettoyage standard (75)- Préréglage, il ne peut pas être réglé à l'écran.
 - Mode de nettoyage en profondeur/Mode de préparation du sol (REV uniquement) -Préréglage, il ne peut pas être réglé à l'écran.
- abaisser le plateau de lavage et entamer le lavage et le séchage. Commencer le nettoyage en manœuvrant la machine et en appuyant sur la manette (16) lorsque la brosse est abaissée sur le sol. Si besoin est, régler la vitesse maximum au moyen du bouton de réglage de la vitesse (48).
- Régler le flux de solution avec le bouton de régulation du débit de solution (mode manuel uniquement) selon les besoins et en fonction du type de lavage à effectuer.



REMARQUE

Pour les 3 premiers niveaux de débit (Fig. 9), la quantité de solution détergente distribuée est automatiquement réglée en fonction de la vitesse d'avance de la machine, de manière à obtenir une quantité constante de solution détergente par mètre linéaire de nettoyage.



Version	Valeurs de débit de solution (cl/mètre)				Mode plein débit de solution gpm (litre/minute), il doit être activé par un utilisateur superviseur.
	Lev.0	Lev.1	Lev.2	Lev.3	Lev.4
Disque	Débranché	0,75	1,5	3,0	0.98 gpm (3,7 litres/minute)
REV	Débranché	0,38	0,75	1,5	
Disque double	Débranché	0,90	1,8	3,6	
Cylindrique	Débranché	1,0	1,83	2,8	

Figure 9

- Si besoin est, pour réduire le niveau sonore, activer la fonction silencieuse du système d'aspiration en appuyant sur le bouton de réglage/désactivation du système d'aspiration (66) (mode manuel uniquement).



REMARQUE

Pour un lavage / séchage correct du sol près du mur, Nilfisk recommande d'approcher le côté droit de la machine, comme illustré dans la figure 10.

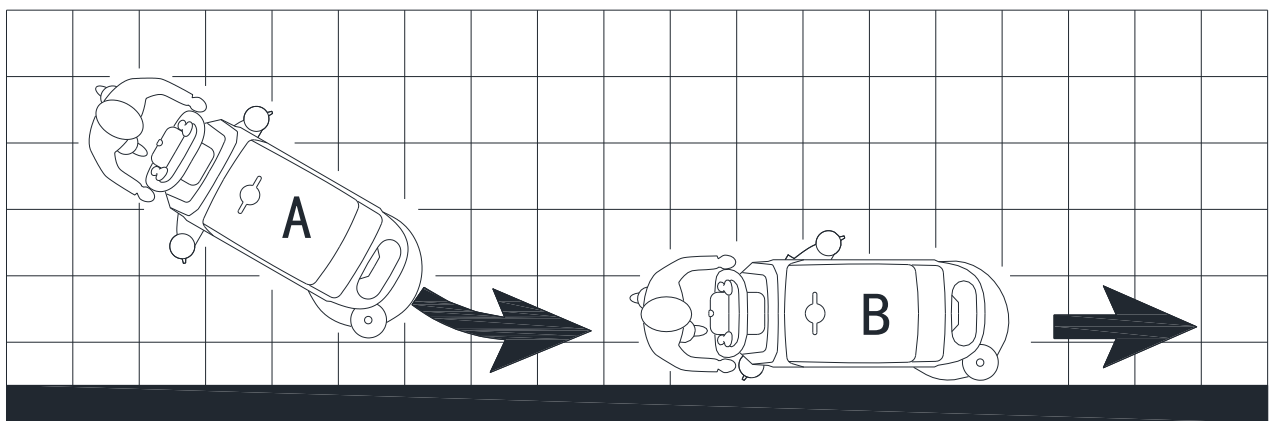


Figure 10



AVERTISSEMENT !

Afin d'éviter d'endommager les sols à nettoyer, ne pas tenir en rotation la brosse lorsque la machine est arrêtée, en particulier si l'on travaille avec la fonction d'extra-pression activée.

- En fin de travail, appuyer sur le bouton cadran (61) pour relever le plateau de lavage. Après 10 secondes, le système d'admission se désactive aussi.
- Soulever la raclette (11) au moyen de la pédale (23).

Réglage de la concentration de détergent dans la solution de nettoyage (mode manuel uniquement)

- (Pour machines avec système EcoFlex)
- Le système pour le mélange du détergent dans la solution de lavage est automatiquement activé lorsque la brosse est en fonctionnement.
- Le pourcentage de détergent ajouté à la solution de lavage est réglé au niveau 1 (Fig. 11).
- La pression sur le bouton de réglage du pourcentage de détergent (60) permet de régler ce pourcentage au niveau 2 ou de le remettre à 0.
- Les pourcentages réglés sont affichés sur l'écran (60).



Pourcentage de détergent		
Lev.0	Lev.1	Lev.2
Débranché	0,40 % 1:250	0,80 % 1:125

Figure 11

Bouton de puissance supplémentaire

Appuyer sur le bouton de puissance supplémentaire (54) chaque fois qu'une plus grande puissance de lavage temporaire est nécessaire.

Avec le système de puissance supplémentaire activé, l'on obtient une augmentation de l'écoulement de la solution, l'activation de la pression supplémentaire de la brosse et une augmentation de la concentration de détergent dans la solution (niveau 2, si le niveau était fixé à 1 - niveau 1, si le niveau était fixé à 0). L'écran affiche un compte à rebours de puissance supplémentaire de 60 s. Appuyer à nouveau sur le bouton de puissance supplémentaire (54) pour restaurer les réglages initiaux.



REMARQUE

Si l'on n'appuie pas à nouveau sur le bouton de puissance supplémentaire (54), les réglages initiaux sont rétablis automatiquement après 60 secondes.



REMARQUE

Toutes les valeurs ci-dessus indiquées sur les niveaux des fonctions de l'écoulement du détergent et de la concentration du détergent, sont des réglages d'usine. Pour modifier ces paramètres, voir le paragraphe Superviseur dans le chapitre Entretien.

Système REV (uniquement pour versions REV)

Appuyer sur le bouton de mode de préparation du sol lorsqu'un mode de lavage spécifique est nécessaire.

Avec le système REV activé, on obtient une diminution de la vitesse, une pression supplémentaire de la brosse, l'interruption du flux de détergent et une quantité inférieure de solution de lavage.

Travail avec la fonction de pression supplémentaire de la brosse (mode manuel uniquement)

Si le sol est particulièrement sale, il est possible de travailler avec l'extra-pression des brosses sur le sol, comme suit :

1. Appuyer sur le bouton marche/arrêt (62) et saisir le mot de passe pour démarrer la machine. Bouton cadran rotatif (67) pour sélectionner le mode manuel et appuyer sur le bouton cadran (61) pour confirmer. Abaisser le plateau de lavage comme indiqué dans le paragraphe « Mise en marche de la machine ».
2. Appuyer sur le bouton de pression supplémentaire (64). L'icône d'activation de la fonction de pression supplémentaire est affichée sur l'écran (64).
3. Pour retourner à la pression normale, appuyer à nouveau sur le bouton de pression supplémentaire (64) pour commuter.



ATTENTION !

En cas de surcharge du moteur de la brosse, dû à corps étrangers qui empêchent son mouvement, ou à sols difficiles / brosses dures, un système de sécurité arrête le moteur après un minute environ de surcharge continue. Si la surcharge se produit pendant que la fonction de pression supplémentaire est activée, le système arrête automatiquement la pression supplémentaire. Si la surcharge persiste, la brosse s'arrête. Pour reprendre le lavage après l'arrêt de la brosse à cause d'une surcharge, il est nécessaire d'arrêter et de rallumer la machine en appuyant sur le bouton marche/arrêt (62).

Décharge de la batterie pendant le fonctionnement

Lorsque la batterie (58) affiche un faible niveau à l'écran, il est conseillé de recharger la batterie parce que l'autonomie résiduelle de fonctionnement n'est que de quelques minutes (en fonction des caractéristiques de la batterie et du travail à effectuer). Après quelques secondes, la brosse s'arrête automatiquement ; seulement le système d'aspiration et le système de traction restent en fonction, pour permettre d'essuyer des endroits éventuels de sol mouillé et d'amener la machine dans la zone de rechargement.



ATTENTION !

Ne pas utiliser la machine avec des batteries déchargées pour éviter de les endommager et de réduire leur durée de vie.

VIDANGE DU RÉSERVOIR

Un système de fermeture automatique à flotteur (30) bloque le système d'aspiration lorsque le réservoir de récupération (3) est plein. La désactivation du système d'aspiration est signalée par une augmentation soudaine du niveau sonore du moteur d'aspiration ; en outre, le système d'aspiration ne sèche pas le sol.



ATTENTION !

Si le système d'aspiration s'arrête accidentellement (par exemple pour l'intervention prématurée du flotteur pendant un déplacement soudain de la machine), pour le remettre en marche : couper le système d'aspiration, ouvrir le couvercle (2) et vérifier que le flotteur dans la grille (30) est descendu. Enfin, fermer le couvercle (2) et remettre le système d'aspiration en marche.

Lorsque le réservoir de récupération (3) est plein, le vider en procédant comme suit.

Vidange du réservoir de récupération

1. Soulever le plateau de lavage.
2. Soulever la raclette (11) au moyen de la pédale (23).
3. Conduire la machine jusqu'à la zone d'élimination désignée.
4. Couper la machine avec le bouton marche/arrêt (62).
5. Vider le réservoir de récupération (3) au moyen du tuyau de vidange (18). Le travail effectué, rincer le réservoir à l'eau propre.

Vidange du réservoir de la solution

6. Exécuter les étapes de 1 à 4.
7. Vider le réservoir de la solution détergente (4) au moyen du tuyau de niveau (7). Le travail effectué, rincer le réservoir à l'eau propre.

APRÈS L'UTILISATION DE LA MACHINE

Le travail effectué, avant de laisser la machine :

1. Déposer la brosse en procédant comme indiqué au paragraphe spécifique.
2. Couper la machine avec le bouton marche/arrêt (62).
3. Vider les réservoirs (3) et (4) comme indiqué aux paragraphes respectifs.
4. Effectuer les procédures d'entretien quotidien (voir le chapitre d'entretien).
5. Garder la machine dans un endroit sec et propre, avec la brosse et la raclette déposés ou soulevés.

LONGUE INACTIVITÉ DE LA MACHINE

Si l'on prévoit de ne pas utiliser la machine pendant plus de 30 jours, effectuer les opérations suivantes :

1. Effectuer les opérations prévues au paragraphe Après l'utilisation de la machine.
2. Pour les versions avec système Ecoflex, vider le réservoir de détergent (35) et nettoyer le système avec le cycle de purge (voir les procédures au chapitre Entretien).
3. Fermer le robinet de la solution détergente (9-B).
4. Débrancher le connecteur (21) des batteries.

ENTRETIEN

La durée de vie de la machine et sa sécurité de fonctionnement sont garanties par un entretien soigné et régulier. Veuillez trouver ci-dessous le plan d'entretien programmé. Les périodicités indiquées peuvent subir des variations en fonction de conditions de travail particulières, à définir par le responsable de l'entretien.



AVERTISSEMENT !

Les opérations doivent être effectuées avec la machine arrêtée et avec les batteries débranchées. En outre, lire attentivement toutes les instructions du chapitre Sécurité avant d'effectuer les opérations d'entretien.

Toutes les opérations d'entretien programmé ou extraordinaire doivent être effectuées par du personnel qualifié ou par un Service après-vente agréé.



ATTENTION !

Chaque fois que l'icône Service s'affiche à l'écran (52), contacter un centre de service agréé Nilfisk pour l'entretien programmé.

Dans ce manuel, après le plan d'entretien programmé, seulement les procédures des opérations d'entretien les plus simples et les plus récurrentes sont indiquées. Pour les procédures des autres opérations d'entretien prévues par le plan d'entretien programmé, se référer au manuel d'entretien consultable auprès des Services après-vente.

CALENDRIER D'ENTRETIEN PROGRAMMÉ

Procédure	Quotidienne, après l'utilisation de la machine	Chaque semaine	Tous les six mois	Chaque année
Chargement des batteries				
Nettoyage de la raclette				
Nettoyage de la brosse/du tampon				
Nettoyage du réservoir de récupération, du plateau à débris et de la grille d'aspiration avec flotteur, et contrôle du joint d'étanchéité du couvercle et de la trémie à débris pour les machines équipées de brosses cylindriques				
Nettoyage et lavage du système de détergent (en option)				
Contrôle de lame de la raclette				
Nettoyage du filtre de la solution				
Remplacement de lame de la raclette				
Contrôle et nettoyage de l'évent du moteur de traction et de brosse			(1)	
Contrôle ou remplacement des balais de carbone du moteur de brosses				(1)
Contrôle ou remplacement des charbons du moteur du système de traction				(1)
Remplacement des amortisseurs de vibrations du plateau de lavage (uniquement pour version REV)				(1)

(1) Opération d'entretien du ressort d'un Service après vente agréé Nilfisk.

CHARGEMENT DE LA BATTERIE



REMARQUE

Recharger les batteries lorsqu'elles affichent un faible niveau (58) à l'écran, ou à la fin du quart de travail. Conserver des batteries chargées allonge leur durée de vie.



ATTENTION !

Lorsque les batteries sont déchargées, les charger dès que possible, puisque cette situation raccourcit leur durée de vie. Contrôler la charge des batteries au moins une fois par semaine.



ATTENTION !

Pour le chargement des batteries avec un chargeur de batterie externe, utiliser un chargeur de batterie adéquat au type de batteries installées.

Si
loin
Ne



AVERTISSEMENT !

des batteries au plomb (WET) sont installées dans la machine, le chargement des batteries produit un gaz hydrogène très explosif. Charger les batteries dans un endroit bien aéré et de flammes libres.

pas fumer pendant le chargement des batteries. Maintenir le réservoir de récupération soulevé jusqu'à la fin du cycle de chargement de la batterie.



AVERTISSEMENT !

Faire bien attention lors du chargement des batteries car il peut y avoir des fuites de liquides de batterie. Le liquide de batterie est corrosif. S'il entre en contact avec la peau ou les yeux, rincer abondamment à l'eau et consulter un médecin.

1. Porter la machine dans la zone destinée au chargement des batteries.
2. Vérifiez que la machine est arrêtée.
3. Ouvrir le couvercle (2) et vérifier si le réservoir de récupération (3) est vide. Dans le cas contraire, le vider au moyen du tuyau de vidange (18).
4. Fermer le couvercle (2).
5. Saisir la poignée (6) et soulever le réservoir (3) avec soin.
6. (Exclusivement pour batteries WET) Contrôler le niveau de l'électrolyte dans les batteries. Si besoin est, dévisser les bouchons et remplir. Après l'appoint du niveau, fermer les bouchons et, si besoin est, nettoyer la surface supérieure des batteries.

Chargement des batteries avec chargeur de batterie externe

1. Contrôler si le chargeur de batterie externe est adéquat en se référant au manuel spécifique. La tension nominale du chargeur de batterie doit être de 24 V.
2. Débrancher le connecteur (21) des batteries, équipé d'une poignée, et le brancher au chargeur de batterie externe.
3. Brancher le chargeur de batterie au réseau électrique.
4. Une fois que le chargement est terminé, débrancher le chargeur de batterie du réseau électrique et du connecteur (21).
5. Brancher le connecteur des batteries (21) à la machine.
6. Abaisser doucement le réservoir de récupération (3).



AVERTISSEMENT !

Ne jamais brancher le chargeur de batterie extérieur à la contrepartie du connecteur fixée à la machine. Le système électronique pourrait s'endommager irrémédiablement.

Charge de la batterie avec chargeur de batterie installé sur la machine

1. Brancher la fiche du chargeur de batterie (20) au réseau électrique [la tension et la fréquence de réseau doivent être égales aux valeurs correspondantes du chargeur de batterie, indiquées sur la plaque avec numéro de série de la machine].



REMARQUE

Lorsque le chargeur de batterie est branché au réseau électrique, toutes les fonctions de la machine sont automatiquement exclues. L'écran affiche la charge.

2. Lorsque la puissance de l'écran est de 100 %, le cycle de charge de la batterie est terminé.
3. Débrancher la fiche du chargeur de batterie (20) du réseau électrique et l'insérer dans son logement (19).
4. Abaisser doucement le réservoir de récupération (3).
5. La machine est prête à l'utilisation.



REMARQUE

Pour de plus amples informations relatives au fonctionnement du chargeur de batterie (26), voir le Manuel d'utilisation correspondant.

INTERFACE DE MENU POUR DIFFÉRENTS UTILISATEURS

La machine contient quatre types d'utilisateurs et les pages de menu différeront pour chaque utilisateur.

- UTILISATEUR STAGIAIRE
- UTILISATEUR DE BASE
- UTILISATEUR AVANCÉ
- UTILISATEUR SUPERVISEUR

Interface de menu (Fig. 12)

1. Appuyer sur le bouton marche/arrêt (62) et saisir le mot de passe pour démarrer la machine.
2. Appuyer sur le bouton de réglage (68) dans l'interface du menu.
3. Sélectionner l'élément que l'on souhaite définir à l'aide de l'écran tactile.

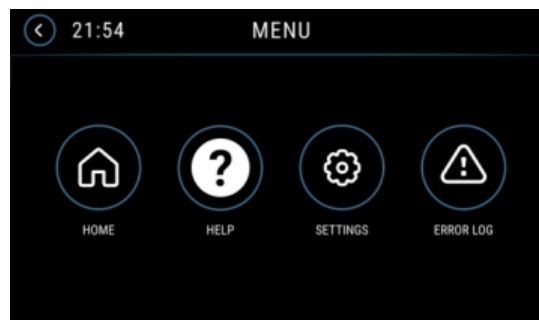


Figure 12

Interface d'aide de la machine (Fig. 13 a)

Il contient les modules suivants, qui peuvent aider l'opérateur à se familiariser rapidement avec la machine.

1. DÉMARRAGE RAPIDE (instructions d'affichage simples et claires)
2. COMMENT FAIRE DES VIDÉOS (mode d'emploi vidéo)
3. MODE DE FORMATION (guidage pas à pas)
4. MANUEL D'UTILISATION (manuel électronique détaillé.)

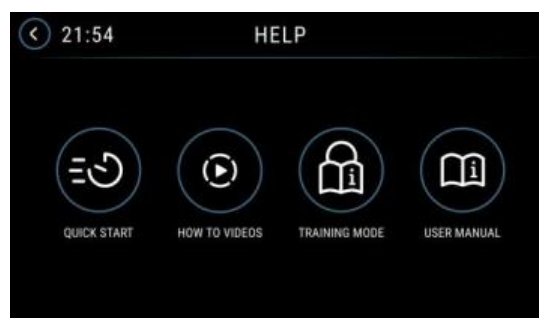


Figure 13 a

Interface de paramètres de la machine (Fig. 13 b)

Les éléments suivants vous permettent de faire des réglages.

1. LUMINOSITÉ DE L'ÉCRAN
2. HEURE ET RÉGION
3. LANGUE
4. PURGE DE DÉTERGENT (nettoyage des systèmes de tuyauterie et opérations de pré-remplissage des nouvelles tuyauteries).
5. INFORMATIONS SUR LA MACHINE



Figure 13-b

Interface des paramètres de la machine (Fig. 13 c) Uniquement pour UTILISATEUR SUPERVISEUR

Les éléments suivants vous permettent de faire des réglages.

1. RÉGLAGES DE LA MACHINE
2. ACCÈS UTILISATEUR
3. HEURE ET RÉGION
4. LANGUE
5. CONNECTIVITÉ (option)
6. PARAMÉTRAGE DES PRÉRÉGLAGES
7. CONFIGURATION DU PORTE-CLÉS (option)
8. INFORMATIONS SUR LA MACHINE

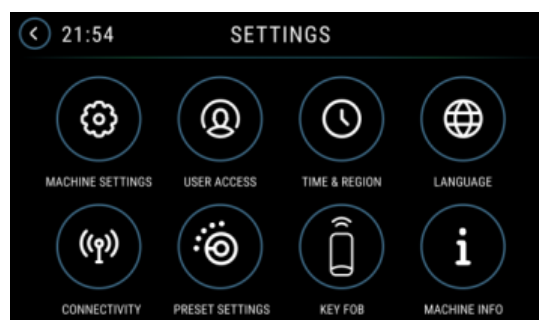


Figure 13 c

Interface de journal d'erreurs de la machine (Fig. 13 d)

Aider l'opérateur à comprendre l'état de la machine et l'historique des rapports d'erreurs.

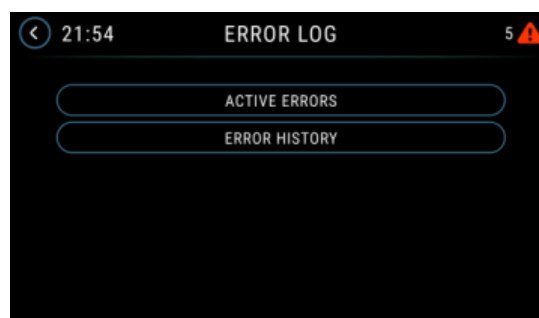


Figure 13 d

PARAMÈTRES MODIFIABLES					
Code	Description	Valeur min.	Réglage en	Valeur max.	
CHM1	Niveau concentration détergent 1	1:500 (0,25 %)	1:250(0,40%)	1:33 (3 %)	
CHM2	Niveau concentration détergent 2	1:500 (0,25 %)	1:125 (0,80 %)	1:33 (3 %)	
CHAS	Son de l'alarme de détergent	Débranché	Toujours branché Branché 30sec	Branché	
P1/P3	Rapport entre débit de la solution au niveau 1 et au niveau 3 (Voir section « Système pour la régulation du débit en tant que fonction de vitesse »)	Unique	0 %	25 %	100 %
		Double	0 %	21 %	100 %
			0 %		
		REV	0 %	25 %	100 %
Cylindrique	0 %	36 %	100 %		
P2/P3	Rapport entre débit de la solution au niveau 2 et au niveau 3 (Voir section « Système pour la régulation du débit en tant que fonction de vitesse »)	Unique	0 %	50 %	100 %
		Double	0 %	50 %	100 %
		REV	0 %	50 %	100 %
		Cylindrique	0 %	77 %	100 %
P3	Débit de solution de niveau 3	Unique	1,0 cl/m	3,0 cl/m	5,0 cl/m
		Double	1,0 cl/m	3,6 cl/m	5,0 cl/m
		REV	1,0 cl/m	1,5 cl/m	5,0 cl/m
		Cylindrique	1,0 cl/m	2,8 cl/m	5,0 cl/m
P4	Activation de débit de solution de niveau 4	Débranché	Débranché	Branché	
SPT	Temporisateur fonction EcoFlex	0 (coupé)	60 sec.	300 sec.	
FVMIN	Vitesse minimale marche avant	0 %	5 %	100 %	
FVMAX	Vitesse maximale en marche avant	10 %	100 %	100 %	
RVMAX	Vitesse maximale arrière	10 %	40 %	50 %	
WVMAX	Vitesse de fonctionnement maximale	10 %	100 %	100 %	
BRMAX	Vitesse de brosse maximale	0 %	90 %	100 %	
BAT	Type de batterie installée	0	10(ACE)	10	
TOFF	Durée d'inactivité	0 (coupé)	4mins	10mins	
BRGH	Luminosité de l'écran	1	16	16	
VRID	Puissance d'aspiration en mode silencieux (valeur de PWM)	10 %	20 %	80 %	
VRIN	Puissance d'aspiration en mode normal (valeur de PWM)	10 %	38 %	80 %	
RPM1	Seuil d'activation régime bas de la brosse	5	9	20	
RPM2	Seuil d'activation régime bas de la brosse	5	15	20	
RESET	Réinitialisation de tous les paramètres au réglage d'usine	Débranché	Débranché	Branché	

NETTOYAGE DE LA RACLETTE**REMARQUE**

La raclette doit être propre et ses lames doivent être en bon état pour obtenir un bon séchage.

**AVERTISSEMENT !**

Il est conseillé de porter des gants de protection lors du nettoyage de la raclette car il peut y avoir des débris pointus.

1. Conduire la machine sur un sol plat.
2. Vérifiez que la machine est arrêtée.
3. Desserrer les boutons (13) et déposer la raclette (11).
4. Laver et nettoyer la raclette. Nettoyer en particulier les compartiments (A, Fig. 14) et l'orifice d'aspiration (B). Contrôler que la lame avant (C) et la lame arrière (D) sont intactes et qu'elles ne présentent pas de coupures ou déchirures ; en cas contraire, les remplacer comme indiqué au paragraphe suivant.
5. Pour la repose de la raclette, procéder dans l'ordre inverse de la dépose.

CONTRÔLE ET REMPLACEMENT DES LAMES DE LA RACLETTE

1. Nettoyer la raclette comme décrit au paragraphe précédent.
2. Contrôler que la lame avant (C, Fig. 14) et la lame arrière (D) sont intactes et qu'elles ne présentent pas de coupures ou déchirures ; en cas contraire, les remplacer en procédant comme suit. Contrôler que l'arête avant (E) de la lame arrière n'est pas usée ; dans le cas contraire, tourner la lame, pour remplacer l'arête usée par l'une des trois arêtes intactes. Si toutes les arêtes sont usées, remplacer la lame en procédant comme suit :
 - À l'aide de la patte (F), libérer et retirer la bande élastique (G) des dispositifs de retenue (H), puis remplacer ou renverser la lame arrière (D).
 - Pour la repose de la lame, procéder dans l'ordre inverse de la dépose. Fixer la bande élastique (G) aux attaches (H) en partant d'un côté. Pour simplifier la procédure de fixation, fixer les attaches une par une en bloquant la bande d'une main (M) avant l'attache et en la tirant de l'autre main (N).
 - Dévisser les boutons (I) et enlever la bande de retenue (J), puis remplacer ou renverser la lame avant (C).
 - Pour la repose de la lame, procéder dans l'ordre inverse de la dépose.
3. Installer la raclette (11) et serrer les boutons (13).
4. Abaisser la raclette sur le sol pour vérifier la hauteur des lames, en procédant comme suit :
 - Vérifier que la patte (K) de la lame avant (C) et la patte (L) de la lame arrière (D) sont au repos comme indiqué dans la figure.
 - Pour le réglage, utiliser la poignée (24).

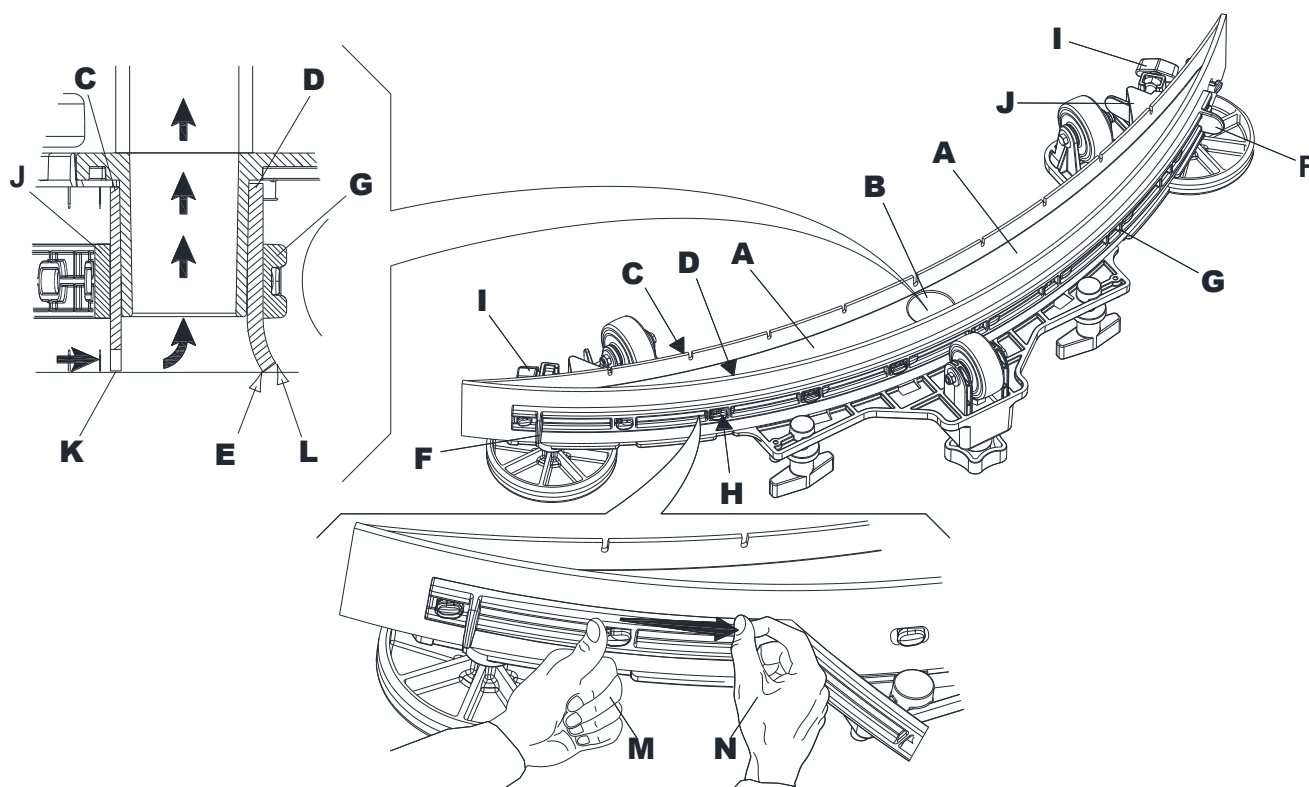


Figure 14

NETTOYAGE DE LA BROSSE



AVERTISSEMENT !

Lors du nettoyage de la brosse, il est conseillé de porter des gants de protection à cause de la présence éventuelle de débris tranchants.

1. Déposer la brosse de la machine comme prévu au chapitre Utilisation/Fonctionnement.
2. Nettoyer et laver la brosse avec de l'eau et de détergent.
3. Contrôler que les poils sont intacts et non excessivement usés ; dans le cas contraire, remplacer la brosse.

NETTOYAGE DU RÉSERVOIR DE RÉCUPÉRATION

1. Conduire la machine jusqu'à la zone d'élimination désignée.
2. Couper la machine en appuyant sur le bouton marche/arrêt (62).
3. Ouvrir le couvercle (2).
4. Nettoyer et laver avec de l'eau propre l'intérieur du réservoir (3) et du couvercle.
5. Vider l'eau du réservoir avec le tuyau (18).
6. Nettoyer la grille d'aspiration (30), dégager les dispositifs de retenue (A, Fig. 15), ouvrir la grille (B), récupérer le flotteur (C) et nettoyer soigneusement ; enfin reposer en place.
7. Démontez le bac de récupération des débris (D) et ouvrez son couvercle, puis nettoyez soigneusement et ré-installez le tuyau d'aspiration.
8. Contrôler l'état du joint du couvercle du réservoir (E). Si besoin est, remplacer le joint d'étanchéité (E) en le retirant de son logement (F). Lors de la pose du nouveau joint d'étanchéité, positionner le raccord (G) dans la zone inférieure indiquée dans la figure.



REMARQUE

Le joint d'étanchéité (E) permet la création d'une dépression dans le réservoir, nécessaire à l'aspiration de l'eau de récupération.

9. Contrôler aussi l'intégrité, l'efficacité et la propreté de la surface d'appui (H) du joint d'étanchéité (E) pour former un joint d'étanchéité avec le joint lui-même.
10. Fermer le couvercle (2).

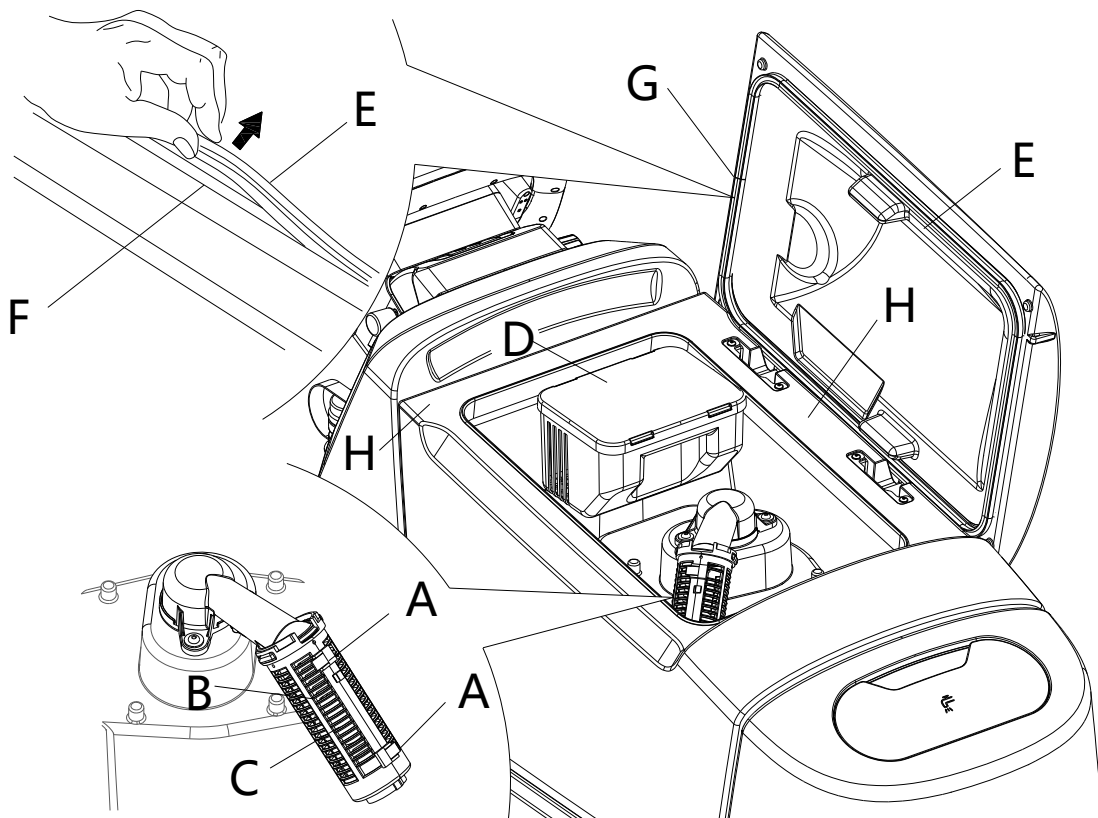


Figure 15

NETTOYAGE DU FILTRE DE LA SOLUTION

1. Conduire la machine sur un sol plat.
2. Vérifiez que la machine est arrêtée.
3. Fermer le robinet de la solution détergente (A, Fig. 16). Le robinet est fermé quand il se trouve dans la position (B) et ouvert quand il se trouve dans la position (C).
4. Retirer le couvercle du filtre (D) et le joint d'étanchéité (E), puis la crépine du filtre (F). Les laver et les rincer avec de l'eau, puis les réinstaller soigneusement sur le support filtre (G).



REMARQUE

Veiller à éviter la perte du joint d'étanchéité (E) pendant le nettoyage. S'assurer que le joint (E) est installé dans la bonne position sur le couvercle du filtre (D).

5. Ouvrir le robinet (A).

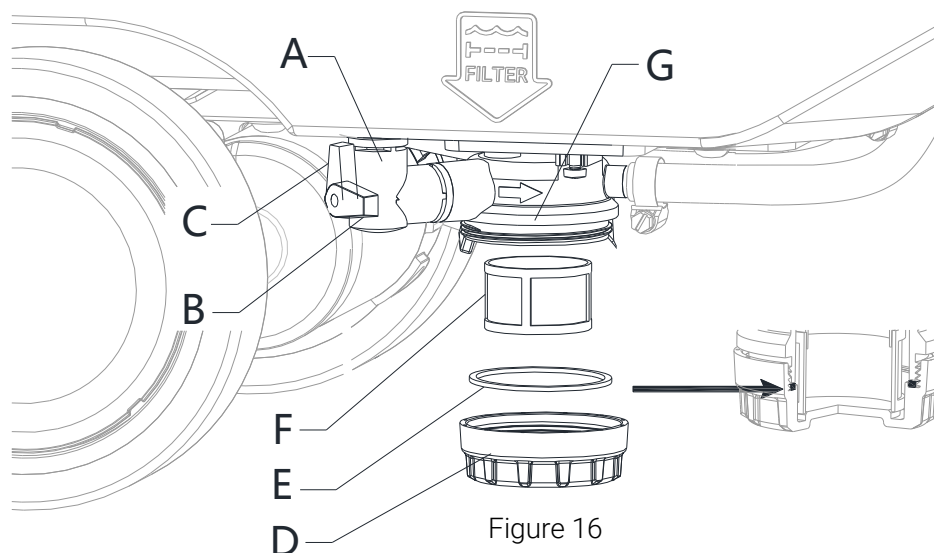


Figure 16

NETTOYAGE DE LA TRÉMIE À DÉBRIS (POUR PLATEAU CYLINDRIQUE UNIQUEMENT)

1. Conduire la machine sur un sol plat.
2. Vérifiez que la machine est arrêtée.
3. Tirer la trémie à déchets (A, Fig. 17) sur le côté, puis la nettoyer soigneusement et la réinstaller sur le plateau. Proposer de la nettoyer à la fin du quart de travail.
4. Tirer sur le couvercle en caoutchouc (B) et nettoyer le bac (C) pour s'assurer qu'aucun trou n'est bouché. Remettre le couvercle en caoutchouc (B) après le nettoyage.

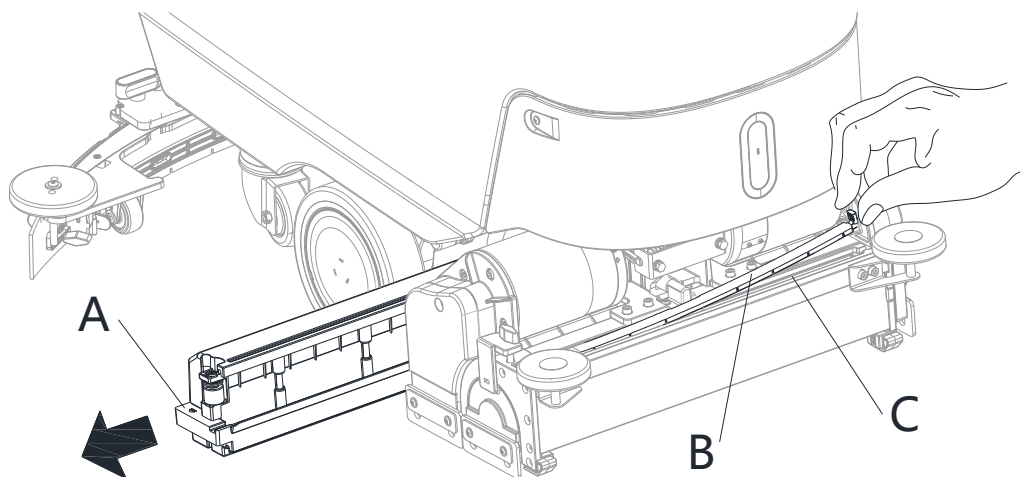


Figure 17

RÉGLAGE DE L'AVANCE RECTILINÉAIRE DE LA MACHINE (Pour un disque unique uniquement)

La vitesse d'avance rectilinéaire de la machine peut varier en fonction du type de sol à nettoyer, ou de l'utilisation de la brosse ou du tampon.

Si l'on relève que la machine, avec le plateau de lavage baissé et pendant le nettoyage, a tendance à dévier de la direction d'avance rectilinéaire, il est possible d'agir sur la manette (38) en la tournant dans le sens des aiguilles d'une montre ou dans le sens contraire pour corriger la déviation et obtenir un mouvement essentiellement neutre.

NETTOYAGE DU RÉSERVOIR DU DÉTERGENT

(Pour machines avec système EcoFlex)

Nettoyer le réservoir du détergent (35) en procédant comme suit.

1. Conduire la machine jusqu'à la zone d'élimination désignée.
2. Vérifiez que la machine est arrêtée.
3. Ouvrir le couvercle (2) et vérifier si le réservoir de récupération (3) est vide. Dans le cas contraire, le vider au moyen du tuyau de vidange (18).
4. Fermer le couvercle (2).
5. Saisir la poignée (6) et soulever le réservoir (3) avec soin.
6. Dévisser le bouchon (A, Fig. 18) du réservoir de détergent (B).
7. Enlever le réservoir de détergent (B).
8. Rincer et laver le réservoir à l'eau claire dans la zone destinée à l'évacuation.
9. Remplacer le réservoir de détergent (B) comme sur la figure, puis remettre le bouchon (A).
10. Après la vidange du réservoir de détergent, il pourrait être nécessaire de vidanger le système EcoFlex (voir la procédure au paragraphe suivant).

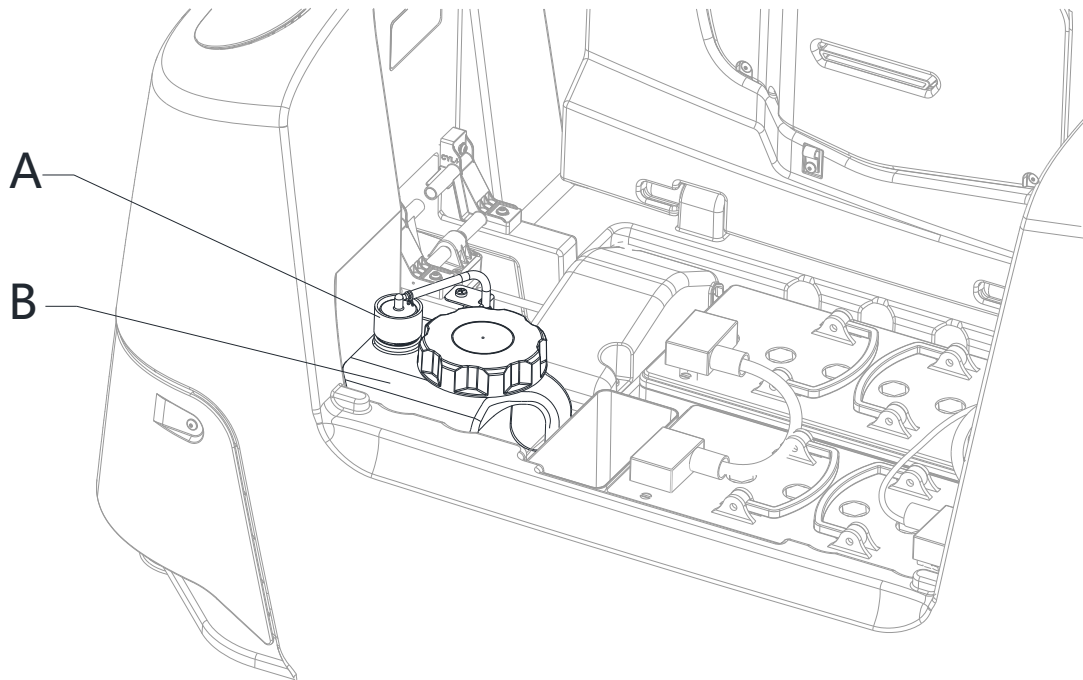


Figure 18

VIDANGE DU SYSTÈME ECOFLEX

(Pour machines avec système EcoFlex)

Nettoyer le réservoir du détergent en procédant comme indiqué au paragraphe précédent.

Pour éliminer le détergent en trop des tuyaux de détergent et de la pompe, procéder comme suit.

1. Contrôler la quantité de détergent par inspection visuelle. S'assurer que le réservoir est à moitié plein d'eau claire.
2. Appuyer sur le bouton marche/arrêt (62) et saisir le mot de passe pour démarrer la machine.



3. Appuyer sur le bouton de réglage (68) dans l'interface du menu. Sélectionner la PURGE DE DÉTERGENT dans l'interface de réglage. Terminer le processus de nettoyage selon les instructions à l'écran. Lorsque le programme est terminé, cette icône



apparaît et revient à l'interface de réglage après 2 secondes.

4. Couper la machine avec le bouton marche/arrêt (62).
5. Soulever le réservoir (3), puis contrôler que le tuyau du réservoir du détergent (35) soit vide ; dans le cas contraire, répéter les étapes de 2 à 5.

REMARQUE



Le cycle de vidange dure environ 30 secondes. L'opération de vidange peut être effectuée même avec le réservoir du détergent (35) plein d'eau ; de cette façon on effectue un lavage à fond du système. Il est conseillé d'effectuer cette PURGE DE DÉTERGENT lorsque le système EcoFlex est très sale et incrusté après de longues périodes d'inactivité / d'absence de nettoyage de la machine. L'opération de PURGE DE DÉTERGENT peut aussi être effectuée pour accélérer le remplissage du tuyau d'alimentation en détergent lorsque le réservoir (35) est plein et le système encore vide. Au besoin, la PURGE DE DÉTERGENT peut être effectuée plusieurs fois d'affilée.

VÉRIFICATION/REPLACEMENT DU FUSIBLE

REMARQUE



Tous les circuits électriques de la machine sont protégés par des dispositifs électroniques à restaurer automatiquement. Les fusibles de sécurité agissent seulement en cas de pannes graves. Par conséquent, on conseille de contacter le personnel qualifié pour l'éventuel remplacement des fusibles. Se référer au manuel d'entretien consultable auprès des revendeurs Nilfisk.

DÉPANNAGE

PROBLÈME	CAUSE POSSIBLE	SOLUTION
L'aspiration de l'eau sale est insuffisante.	Le réservoir de récupération est plein.	Vider le réservoir.
	Grille d'aspiration obstruée ou flotteur bloqué en position fermée.	Nettoyer la grille d'aspiration.
	Conteneur déchets avec la grille correspondante colmaté.	Nettoyer.
	Le tuyau flexible est débranché de la raclette.	Brancher.
	La raclette est sale ou les lames de la raclette sont usées ou endommagées.	Nettoyer la raclette ou tourner / remplacer les lames.
	Le couvercle du réservoir n'est pas bien fermé ou le joint d'étanchéité est usé.	Fermer correctement le couvercle ou nettoyer / remplacer le joint.
Le flux de solution à la brosse / plateau support disque est insuffisant.	Réservoir de la solution détergente vide.	Remplir.
	Le filtre de la solution est sale.	Nettoyer le filtre
	Réservoir du système EcoFlex (optionnel) sale / incrusté.	Nettoyer avec le cycle de vidange.
La raclette laisse des traces sur le sol.	Débris sous les lames de la raclette.	Retirer les débris.
	Les lames de la raclette sont usées, émoussées ou déchirées.	Tourner ou remplacer les lames.
	Raclette non équilibrée au moyen du bouton de réglage.	Régler la raclette.
L'écran (52) affiche un message d'alarme du type suivant : Code ALARME AVERTISSEMENT	L'écran affichera les causes possibles.	Agir en fonction des invites à l'écran. Arrêter et démarrer à nouveau la machine. Si le problème persiste, contacter un service après-vente agréé.



REMARQUE

Si la machine a été achetée avec un chargeur de batterie intégré, elle ne peut pas fonctionner sans cet appareil. En cas de panne du chargeur de batterie, s'adresser à un Service après-vente agréé.

Pour de plus amples informations, contacter les centres de service après-vente Nilfisk.

MISE À LA FERRAILLE

Effectuer la mise à la ferraille de la machine dans un centre de collecte agréé.

Avant la mise à la ferraille, retirer et séparer les éléments suivants, qui doivent être éliminés conformément à la législation en vigueur :

- Batteries
- Brosses
- Tuyaux et pièces en plastique
- Composants électriques et électroniques (*)

(*) Pour l'élimination des pièces électriques et électroniques, s'adresser au centre Nilfisk le plus proche.

Composition matérielle de la machine et possibilité de recyclage

Type	% recyclable	% du poids			
		Plateau de brosse à disque unique	Plateau REV	Plateau de brosse à disque double	Plateau CYL
Aluminium	100 %	8 %	8 %	8 %	8 %
Moteurs électriques - divers	29 %	30 %	35 %	33 %	29 %
Matériaux en fer	100 %	4 %	4 %	4 %	5 %
Faisceau de câbles	80 %	3%	2%	3%	3%
Liquides	100 %	0 %	0 %	0 %	0 %
Plastique - non recyclable	0 %	3%	2%	3%	3%
Plastique - recyclable	100 %	12 %	11 %	11 %	12 %
Polyéthylène	92 %	37 %	35 %	35 %	37 %
Caoutchouc	20 %	2 %	2 %	2 %	2 %

ÍNDICE

INTRODUÇÃO	2
OBJETIVO E CONTEÚDO DO MANUAL	2
DESTINATÁRIOS	2
COMO GUARDAR ESTE MANUAL	2
DECLARAÇÃO DE CONFORMIDADE	2
DADOS DE IDENTIFICAÇÃO	2
OUTROS MANUAIS DE REFERÊNCIA	2
PEÇAS DE SUBSTITUIÇÃO E MANUTENÇÃO	2
ALTERAÇÃO E MELHORAMENTO	2
CAPACIDADE DE OPERAÇÃO	2
CONVENÇÕES	3
DESEMBALAGEM/ENTREGA	3
SEGURANÇA	3
SÍMBOLOS VISÍVEIS NA MÁQUINA	3
SÍMBOLOS UTILIZADOS NO MANUAL	4
INSTRUÇÕES GERAIS	4
DESCRIÇÃO DA MÁQUINA	7
ESTRUTURA DA MÁQUINA	7
PAINEL DE CONTROLO	9
ACESSÓRIOS/OPÇÕES	9
DADOS TÉCNICOS	10
DIAGRAMA DA CABLAGEM	11
UTILIZAÇÃO/OPERAÇÃO	14
NOVA CRIAÇÃO DE UTILIZADOR E INTERFACE DE INÍCIO DE SESSÃO	14
VERIFICAÇÃO/DEFINIÇÃO DE BATERIAS NUMA MÁQUINA NOVA	14
INSTALAÇÃO DA BATERIA	15
ANTES DE COLOCAR A MÁQUINA EM FUNCIONAMENTO	15
INICIAR E PARAR A MÁQUINA	18
MÁQUINA EM OPERAÇÃO (LAVAGEM/SECAGEM)	19
ESVAZIAMENTO DO TANQUE	21
DEPOIS DE UTILIZAR A MÁQUINA	21
INACTIVIDADE DURANTE LONGO PERÍODO DE TEMPO	21
MANUTENÇÃO	22
TABELA DE MANUTENÇÃO PROGRAMADA	22
CARREGAMENTO DA BATERIA	23
INTERFACE DE MENU PARA DIFERENTES UTILIZADORES	24
LIMPEZA DO LIMPADOR	26
CONTROLO E SUBSTITUIÇÃO DAS LÂMINAS DO LIMPADOR	26
LIMPEZA DA ESCOVA	27
LIMPEZA DO TANQUE DA ÁGUA DE RECUPERAÇÃO	27
LIMPEZA DO FILTRO DA SOLUÇÃO DETERGENTE	28
RECIPIENTE DE DETRITOS LIMPO (APENAS PARA CABEÇA DE LAVAGEM COM ESCOVAS CILÍNDRICAS) ..	28
AJUSTE DO RASTREAMENTO DA MÁQUINA	28
LIMPEZA DO TANQUE DO DETERGENTE	29
DRENAGEM DO SISTEMA ECOFLEX	30
VERIFICAÇÃO/SUBSTITUIÇÃO DOS FUSÍVEIS	30
RESOLUÇÃO DE PROBLEMAS	31
ELIMINAÇÃO	32

INTRODUÇÃO

**NOTA**

Os números em parêntesis referem-se aos componentes mostrados no capítulo da Descrição da Máquina.

OBJETIVO E CONTEÚDO DO MANUAL

Este manual tem como objetivo fornecer ao operador todas as informações necessárias para poder utilizar a máquina da maneira mais adequada, autónoma e segura possível. O manual compreende informações inerentes à parte técnica, à segurança, ao funcionamento, à paragem da máquina, à manutenção, às peças de substituição e ao fim de vida. Antes de efetuar qualquer operação na máquina, os operadores e os técnicos qualificados devem ler cuidadosamente as instruções contidas no presente manual. Em caso de dúvidas sobre a correcta interpretação das instruções, contacte a Nilfisk para obter os esclarecimentos necessários.

DESTINATÁRIOS

O presente Manual destina-se quer aos operadores, quer aos técnicos qualificados de manutenção da máquina. Os operadores não devem executar intervenções reservadas aos técnicos qualificados. A Nilfisk não se responsabiliza por danos resultantes do não cumprimento desta proibição.

COMO GUARDAR ESTE MANUAL

O Manual de instruções de uso e manutenção deve ser guardado próximo da máquina, dentro do seu estojo, protegido de líquidos e tudo mais que possa deteriorar o seu estado de legibilidade.

DECLARAÇÃO DE CONFORMIDADE

A declaração de conformidade, fornecida com a máquina, atesta que a máquina está em conformidade com as disposições legais em vigor.

**NOTA**

São fornecidas duas cópias da Declaração de conformidade original com a documentação da máquina.

DADOS DE IDENTIFICAÇÃO

O número de série e o modelo da máquina estão indicados na placa (14).
Ano de produção (Código de data: A17 significa janeiro de 2017) e o número do modelo estão indicados na mesma placa.
Estas informações são necessárias quando são encomendadas peças de substituição para a máquina. Utilize o espaço seguinte para anotar os dados de identificação da máquina.

Modelo
Número do modelo
Número de série

OUTROS MANUAIS DE REFERÊNCIA

- O manual do carregador de bateria eletrónico, deve ser considerado parte integrante do presente manual.
- Catálogo das peças de substituição (fornecido com a máquina)
- Manual de assistência (pode ser consultado apenas pelos técnicos qualificados nos Centros de Assistência Nilfisk)

PEÇAS DE SUBSTITUIÇÃO E MANUTENÇÃO

Em caso de necessidade relativa à utilização, à manutenção e à reparação, consulte o pessoal qualificado ou directamente os centros de assistência Nilfisk. Utilize sempre peças de substituição e acessórios originais.
Contacte a Nilfisk para assistência ou para encomendar peças sobresselentes e acessórios, especificando o nome do modelo, o número do modelo e o número de série.

ALTERAÇÃO E MELHORAMENTO

A Nilfisk procura constantemente aperfeiçoar os produtos e reserva-se o direito de efectuar modificações e melhorias, quando necessário, sem a obrigação de modificar as máquinas vendidas anteriormente.
Fica estipulado que qualquer modificação e/ou acréscimo de acessórios deve ser explicitamente aprovada e realizada pela Nilfisk.

CAPACIDADE DE OPERAÇÃO

A presente máquina de lavar e secar SC550 foi concebida e fabricada para a limpeza (lavagem e secagem) de pisos lisos e sólidos, em espaços comerciais e industriais, em condições de comprovada segurança, por parte de um operador qualificado.
A máquina de lavar e secar não é adequada para a lavagem de tapetes ou carpetes.

CONVENÇÕES

Todas as referências para frente e para trás, dianteiro e traseiro, direito e esquerdo indicadas neste manual, devem ser entendidas como referindo-se ao operador na posição de condução com as mãos no guiador (15).

DESEMBALAGEM/ENTREGA

Para desembalar a máquina, siga atentamente as instruções presentes na embalagem.

No momento da entrega da máquina, verifique com atenção que a embalagem e a máquina não tenham sido danificadas durante o transporte.

Se notar qualquer dano, guarde a embalagem para que possa ser vista por parte do transportador responsável pela entrega. Contate imediatamente a empresa de entregas para preencher um pedido de indemnização pelos danos.

Verifique que os seguintes componentes são fornecidos com a sua máquina:

Documentação técnica:

- Manual de instruções de uso da máquina de lavar e secar e lista de peças de reposição (Também pode digitalizar o código QR à direita para obtê-lo.)
- Manual do carregador de bateria eletrónica (se instalado)



AVISO!

Os produtos vendidos com este Manual contêm produtos químicos que são considerados por alguns governos (como o Estado da Califórnia, conforme identificado na respetiva Proposta 65 de Lei de Advertência Regulamentar) como causadores de cancro, defeitos de nascença ou outros problemas reprodutivos. Em determinados locais (incluindo o Estado da Califórnia), os compradores destes produtos que os colocam em serviço num local de trabalho ou num espaço de acesso público devem, por lei, fazer determinados avisos, advertências ou divulgações no que diz respeito aos produtos químicos que existem ou possam existir nos Produtos em tais locais de trabalho. É da responsabilidade do comprador conhecer o conteúdo e respeitar qualquer lei e regulamento relativos à utilização destes Produtos em tais ambientes. O Fabricante rejeita qualquer responsabilidade de comunicação aos compradores de quaisquer requisitos específicos que possam ser aplicáveis à utilização dos Produtos em tais ambientes.

SEGURANÇA

Os símbolos seguintes indicam potenciais situações perigosas. Leia atentamente esta informação e siga as precauções necessárias para proteger as pessoas e propriedade à sua volta.

A colaboração do operador é essencial para evitar acidentes. Nenhum programa de prevenção de acidentes pode ser eficaz sem a total colaboração da pessoa diretamente responsável pelo funcionamento da máquina. A maioria dos acidentes, que podem ocorrer numa fábrica, no trabalho ou nas deslocações, deve-se ao incumprimento das mais elementares normas de segurança. Um operador atento e prudente é a melhor garantia contra os acidentes e indispensável para implementar qualquer programa de prevenção.

SÍMBOLOS VISÍVEIS NA MÁQUINA



ATENÇÃO!

Leia atentamente todas as instruções antes de realizar qualquer operação na máquina.



ATENÇÃO!

Não lave a máquina com jactos de água directos ou pressurizados.



ATENÇÃO!

Não utilize a máquina em rampas com um gradiente que exceda o definido na especificação.

SÍMBOLOS UTILIZADOS NO MANUAL**PERIGO!**

Indica uma situação perigosa com risco de morte para o operador.

**ATENÇÃO!**

Indica um risco de ferimento potencial para pessoas.

**CUIDADO!**

Indica cuidados ou notificação relacionados com funções importantes ou úteis. Preste atenção aos parágrafos marcados por este símbolo.

**NOTA**

Indica uma notificação relacionada com funções importantes ou úteis.

**CONSULTA**

Indica a necessidade de consulta do manual de Instruções de Utilização antes de realizar qualquer procedimento.

INSTRUÇÕES GERAIS

Avisos e cuidados específicos a informar sobre danos potenciais a pessoas e à máquina são exibidos abaixo.

**PERIGO!**

- *Antes de realizar qualquer procedimento de manutenção, reparação, limpeza ou substituição, desligue a máquina e desconecte o conector da bateria.*
- *Esta máquina deve ser utilizada apenas por pessoas que tenham tido formação apropriada.*
- *Tire todas as joias quando estiver a trabalhar próximo de componentes elétricos.*
- *Não trabalhe sob a máquina levantada, sem os suportes de elevação fixos de segurança adequados.*
- *Não opere a máquina perto de pós, líquidos ou vapores tóxicos, perigosos, inflamáveis e/ou explosivos. Esta máquina não se adequa para recolha de pós perigosos.*
- *Se estiverem equipadas com baterias de chumbo (WET), mantenha faíscas, chamas e materiais fumegantes, longe das baterias. Gases explosivos são expelidos durante o uso normal.*
- *Se a máquina estiver equipada com baterias de chumbo (WET), durante o carregamento é produzido gás hidrogénio altamente explosivo. Levante o reservatório de água de recuperação durante todo o ciclo de recarga das baterias e efetue a operação apenas em áreas bem ventiladas e longe de chamas livres.*
- *Manter faísca, chamas e materiais incandescentes, longe das baterias. Durante o normal funcionamento, são libertados gases explosivos.*
- *Leia todos os avisos de segurança e todas as instruções. O não cumprimento dos avisos e instruções pode resultar em choque elétrico, incêndio e/ou ferimentos graves.*

**ATENÇÃO!**

- *Antes de efetuar qualquer intervenção de manutenção/reparação, leia cuidadosamente todas as instruções.*
- *Não use nenhum outro tipo de baterias; use apenas aquela fornecida com a máquina ou a sua peça de reposição original.*
- *Antes de cada utilização, verifique se a máquina está danificada.*
- *Não a mergulhe em líquidos.*
- *Recarregue apenas com o carregador especificado pelo fabricante. Um carregador adequado para um tipo de bateria pode criar um risco de incêndio quando usado com outro conjunto de baterias.*
- *Em condições abusivas, o líquido pode ser ejetado da bateria; evite o contacto. Se o contacto ocorrer acidentalmente, limpe com água. Se o líquido entrar em contacto com os olhos, procure ajuda médica. O líquido ejetado da bateria pode causar irritação ou queimaduras.*
- *Quando a bateria não estiver em utilização, mantenha-a longe de outros objetos metálicos, como cliques de papel, moedas, chaves, pregos, parafusos ou outros pequenos objetos metálicos que possam fazer uma conexão de um terminal para outro. O curto-circuito dos terminais da bateria pode causar queimaduras ou incêndios.*

- Não utilize um conjunto de bateria ou um aparelho que esteja danificado ou modificado. As baterias danificadas ou modificadas podem apresentar um comportamento imprevisível, resultando em incêndios, explosões ou risco de ferimentos.
- Siga todas as instruções de carregamento e não carregue a bateria ou o aparelho fora do intervalo de temperatura especificado nas instruções. O carregamento inadequado ou a temperaturas fora do intervalo especificado pode danificar a bateria e aumentar os riscos de incêndio.
- Não exponha uma bateria ou aparelho a fogo ou a uma temperatura excessiva. A exposição ao fogo ou a uma temperatura acima de 130°C pode causar explosão.
- A manutenção deve ser realizada por uma pessoa qualificada em reparação com a utilização apenas peças de reposição idênticas. Isto garantirá a manutenção da segurança do produto.
- Não modifique ou tente reparar as baterias.
- Não armazene, use ou recarregue em ambientes com uma temperatura superior a 45°C.
- Não recarregue com temperaturas inferiores a 0°C.
- Devido ao risco de curtos-circuitos, não armazene a bateria com objetos metálicos.
- Se a bateria estiver danificada, leve-a a um Centro de Assistência Nilfisk.
- Antes de descomissionar a máquina, remova a bateria.
- Armazene a bateria num local seco.
- Se o carregador de bateria ou o cabo estiverem molhados, não a utilize.
- Não use o carregador de baterias em ambientes onde haja pós inflamáveis e/ou materiais explosivos.
- Não cubra o carregador de baterias.
- Utilize sempre o carregador de baterias fornecido com a máquina ou a peça de reposição original. Em primeiro lugar, desligue a máquina. E, em seguida, desligue o conjunto de baterias do aparelho antes de fazer quaisquer ajustes, trocar acessórios ou armazenar o aparelho. Tais medidas preventivas de segurança reduzem o risco de ligar o aparelho acidentalmente.
- Utilize aparelhos apenas com as baterias especificamente designadas. O uso de quaisquer outras baterias pode criar risco de ferimentos e incêndios.
- Mantenha a bateria, incluindo os canais de ventilação e as áreas de contacto limpas da sujidade e humidade.
- Evite que a sujidade e a humidade entrem na bateria durante a limpeza.
- Antes de utilizar o carregador de bateria, certifique-se de que a frequência e a tensão indicadas na placa do número de série da máquina correspondem à tensão da rede.
- Não utilize o cabo do carregador de bateria para tirar ou transportar a máquina, nem o utilize como se fosse uma pega. Não deixe que o cabo do carregador de bateria seja preso numa porta, nem o puxe em superfície ou ângulos afiados. Não deixe que a máquina passe por cima do cabo do carregador da bateria.
- Mantenha o cabo do carregador da bateria longe de superfícies quentes.
- Não utilize a máquina se o cabo do carregador de bateria e a ficha estiverem danificados. Se a máquina não funcionar corretamente, estiver danificada, tiver ficado ao ar livre ou caído na água, leve-a para um centro de assistência.
- Para reduzir o risco de incêndios, choques eléctricos ou lesões, desconecte o cabo do carregador da rede eléctrica.
- Não fume durante o carregamento da bateria.
- Proteja sempre a máquina do sol, chuva e outras intempéries seja em estado de funcionamento ou parada. Esta máquina deve ser utilizada e armazenada no interior e em condições secas e não deve ser utilizada ou conservada no exterior, em condições de humidade.
- Antes de utilizar a máquina, feche todas as portinholas e/ou tampas como descrito no Manual de instruções de uso.
- Esta máquina não deve ser utilizada por crianças ou por pessoas com diminuição das capacidades físicas, sensoriais ou mentais ou com falta de experiência e conhecimentos.
- As crianças devem ser monitorizadas, para garantir que não brincam com a máquina.
- Preste em particular atenção quando a utilizar com crianças por perto.
- Não utilize para fins diferentes dos que são indicados neste Manual. Utilize apenas os acessórios recomendados pela Nilfisk.
- Inspeccione atentamente a máquina antes de a usar e verifique sempre se montou todos os componentes corretamente, antes de colocar a máquina em funcionamento. A utilização da máquina não perfeitamente montada pode provocar lesões nas pessoas e nos danos nas ferramentas.
- Tome as devidas precauções de modo que cabelos, jóias, partes das roupas soltas não fiquem presas nas partes em movimento da máquina.
- Não utilize a máquina em rampas com um gradiente que exceda o definido na especificação.
- Não incline a máquina a um ângulo superior à marca existente na máquina para não comprometer a estabilidade.
- Não utilize a máquina em espaços particularmente poeirentos.
- Utilize a máquina unicamente em áreas suficientemente iluminadas.
- Durante a utilização da máquina, preste atenção para garantir a segurança das outras pessoas e dos objectos.
- Não encoste a estantes ou andaimes, principalmente se existir o perigo de queda de objectos.
- Não pose recipientes com líquidos na máquina, utilize a base específica porta-copos e porta-latas.

- A temperatura de uso da máquina deve estar compreendida entre 0 °C e +40 °C.
- A temperatura de armazenamento da máquina deve estar compreendida entre 0°C e +40°C.
- A humidade deve estar compreendida entre 30% e 95%.
- Durante a utilização de detergentes para a limpeza dos pavimentos, siga as instruções e as advertências indicadas nas etiquetas das garrafas.
- Antes de manusear detergentes para a limpeza dos pavimentos, vista luvas e proteções adequadas.
- Não utilize a máquina como meio de transporte.
- Em caso de incêndio, utilize, se for possível, um extintor de pó e não de água.
- Não viole, em nenhum caso, as proteções previstas para a máquina; respeite escrupulosamente as instruções previstas para a manutenção periódica.
- Não deixe penetrar nenhum objeto nas aberturas. Não utilize a máquina que as aberturas estiverem entupidas. Mantenha as aberturas da máquina livres de pó, fios, pelos e qualquer outro corpo estranho que possa reduzir o fluxo de ar.
- Não remova, nem altere as placas colocadas na máquina.
- Para deslocar manualmente a máquina, é necessário desbloquear o travão eletromagnético. No final da deslocação manual, deve ativar o travão eletromagnético. Nunca utilize a máquina com o travão eletromagnético desativado.
- No caso em que a máquina seja movimentada através de empurro por motivos de serviço (falta de baterias, baterias descarregas, etc.), nunca ultrapassar a velocidade de 4 km/h.
- A presente máquina não pode ser utilizada em estradas ou vias públicas.
- Preste atenção durante o transporte da máquina em condições abaixo da temperatura de congelamento. A água presente no tanque de recuperação ou nas mangueiras pode congelar e danificar gravemente a máquina.
- Utilize unicamente as escovas fornecidas com a máquina ou os especificados no Manual de instruções de uso. A utilização de outras escovas pode pôr em causa a segurança.
- No caso de se verificarem anomalias no funcionamento da máquina, certifique-se de que não se devem à falta de manutenção periódica. Caso contrário, solicite a intervenção do pessoal autorizado ou do centro de assistência autorizado.
- Em caso de substituição de peças, solicite peças de substituição ORIGINAIS a um concessionário ou revendedor autorizado.
- Por motivos de segurança, e também do bom funcionamento, faça com que pessoal autorizado ou um centro de assistência autorizado execute a manutenção programada prevista no capítulo específico deste manual.
- Não lave a máquina com jatos de água diretos ou sob pressão, nem com substâncias corrosivas.
- A máquina não deve ser abandonada, no fim de seu ciclo de vida, devido à presença, em seu interior, de materiais tóxicos nocivos (baterias, etc.), sujeitos a normas que preveem o despejo junto a centros especiais (veja o capítulo Fim de vida).
- Esta máquina deve ser usada apenas com a fonte de alimentação fornecida com o aparelho.
- A máquina só deve ser fornecida com uma tensão extra-baixa de segurança correspondente à marcação no aparelho.
- Esta máquina é destinada ao uso comercial, por exemplo, em hotéis, escolas, hospitais, fábricas, lojas, escritórios e empresas de aluguer.
- Os operadores devem ser instruídos adequadamente sobre a utilização destas máquinas.
- Observe o peso bruto do veículo (GVW) da máquina quando estiver carregando, conduzindo, levantando ou suportando a máquina.
- Não olhe para os feixes de laser utilizados pela máquina. Podem ocorrer lesões oculares permanentes. Os lasers são seguros para os olhos se observados por pouco tempo, por exemplo, para determinar se estão a funcionar. Não olhe diretamente para os lasers ou fique à sua frente sem usar óculos de proteção contra raios laser.
- Para impedir a utilização não autorizada da máquina, a fonte de alimentação deve ser desligada ou bloqueada, por exemplo, desligando a máquina.
- As máquinas deixadas sem vigilância devem ser protegidas contra os movimentos não intencionais.

Os produtos Nilfisk aprovados contra 61000-6-8 devem incluir as seguintes declarações no manual:

Este equipamento atende aos requisitos para locais comerciais e industriais ligeiros quando instalado e mantido profissionalmente.

A instalação e manutenção devem ser realizadas por um profissional de EMC.

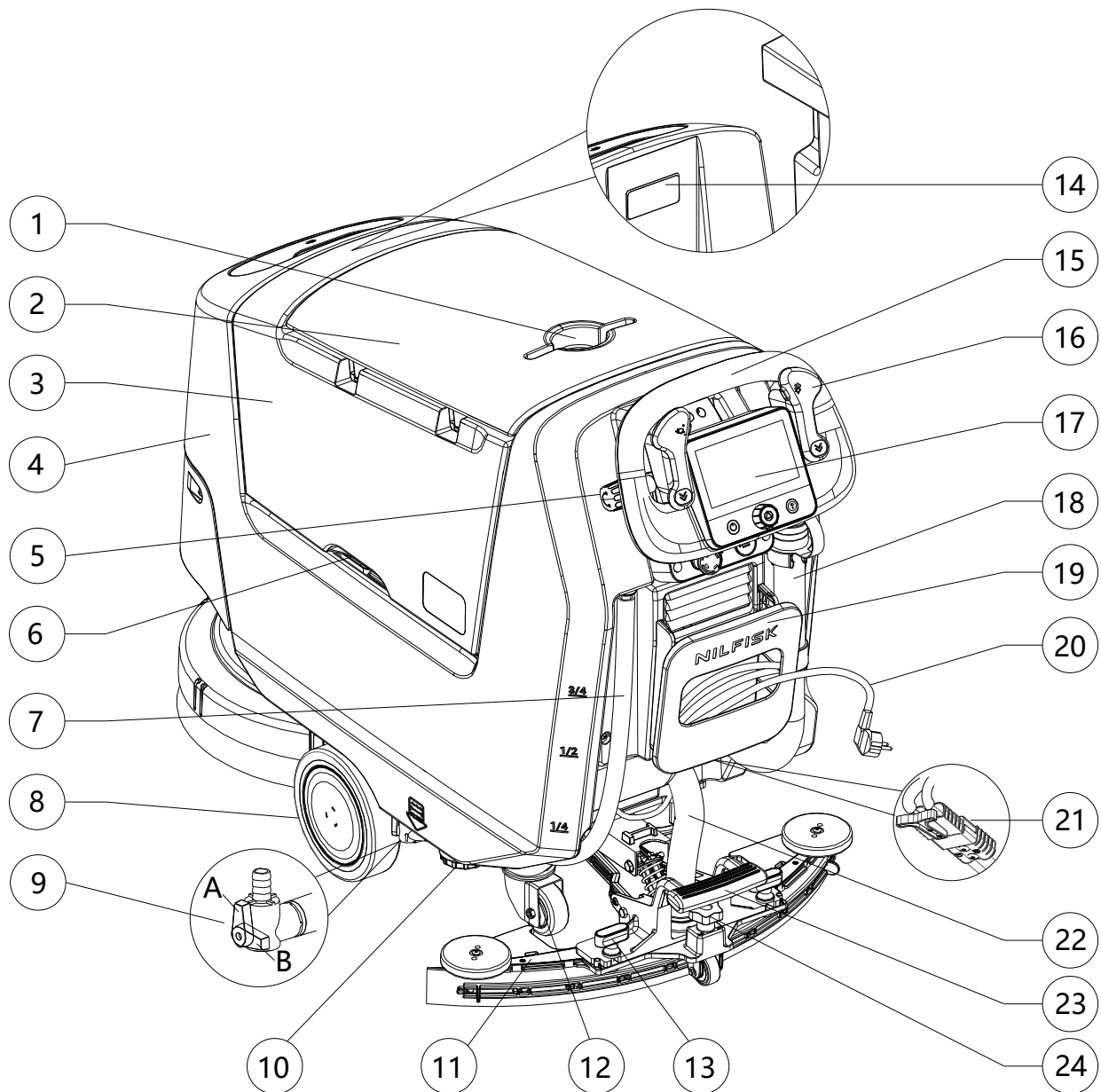
O instalador profissional deve avaliar a situação EMC antes da instalação, se o equipamento estiver instalado a menos de 30 m de um local residencial.

Cuidado: Este equipamento não se destina a ser utilizado em locais residenciais e não garante uma proteção adequada à receção de rádio nesses locais.

DESCRIÇÃO DA MÁQUINA

ESTRUTURA DA MÁQUINA

1. Compartimento porta-objetos/latas
2. Tapa do tanque de recuperação
3. Tanque de recuperação
4. Tanque de solução
5. Botão de bloqueio do guidão (T)
6. Pega de elevação do tanque
7. Mangueira de drenagem da solução e de controle de nível
8. Rodas de tracção dianteiras
9. Válvula da solução:
 - A) Abra a válvula (T)
 - B) Válvula fechada (T)
10. Filtro de solução (T)
11. Limpador
12. Rodas giratórias traseiras
13. Volantes de montagem do limpador (T)
14. Placa do número de série/dados técnicos/marca de conformidade
15. Guidão da transmissão
16. Engrenagem para frente/para trás e pá de ativação
17. Painel de controlo
18. Tubo de descarga da água de recuperação (T)
19. Caixa de cabo do carregador da bateria e suporte do documento
20. Cabo do carregador da bateria
21. Conector (vermelho) da bateria.
22. Tubo de aspiração do limpador
23. Pedal para baixar e levantar o limpador
24. Botão de ajuste do limpador (T) Ponto de toque com cor azul



ESTRUTURA DA MÁQUINA (continuação)

- 25. Gancho do rodo (T)
- 26. Carregador da bateria
- 27. Alavanca de bloqueio/desbloqueio do travão eletromagnético
- 28. Tanque de recolha de detritos (T)
- 29. Motor do sistema de aspiração
- 30. Grade de aspiração com flutuador de fechamento automático
- 31. Baterias
- 32. Tubo extraível para o carregamento da água (T)
- 33. Enchedor dianteiro do tanque de solução
- 34. Tampão de abastecimento dianteiro do tanque de solução (T)
- 35. Depósito detergente EcoFlex
- 36. Luz frontal/Luz frontal com laser (*)
- 37. Painel frontal
- 38. Botão de ajuste do movimento retilíneo

- 39. Cabeça de lavagem com escova de disco
- 40. Escova de disco única
- 41. Cabeça REV (R)
- 42. Escova REV (R)
- 43. Cabeça de lavagem com escova de disco dupla (D)
- 44. Escova de disco dupla (D)
- 45. Gancho lateral da escova cilíndrica (C)
- 46. Escova cilíndrica (C)
- 47. Cabeça de lavagem com escovas cilíndricas (C)

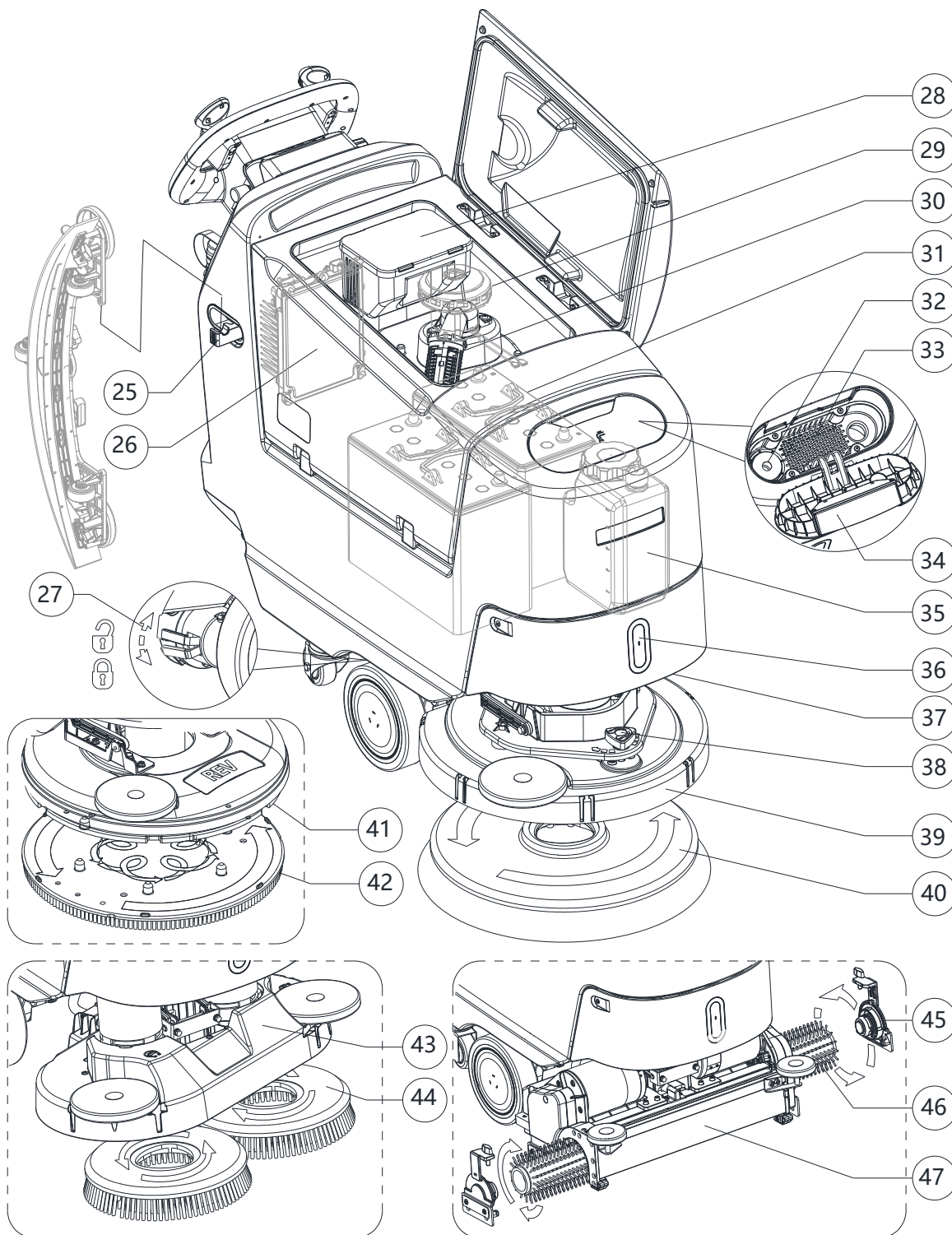
(*) Opcional para versão BASIC

(R) Apenas para a versão REV

(D) Apenas para a versão com escova de disco dupla

(C) Apenas para a versão cilíndrica

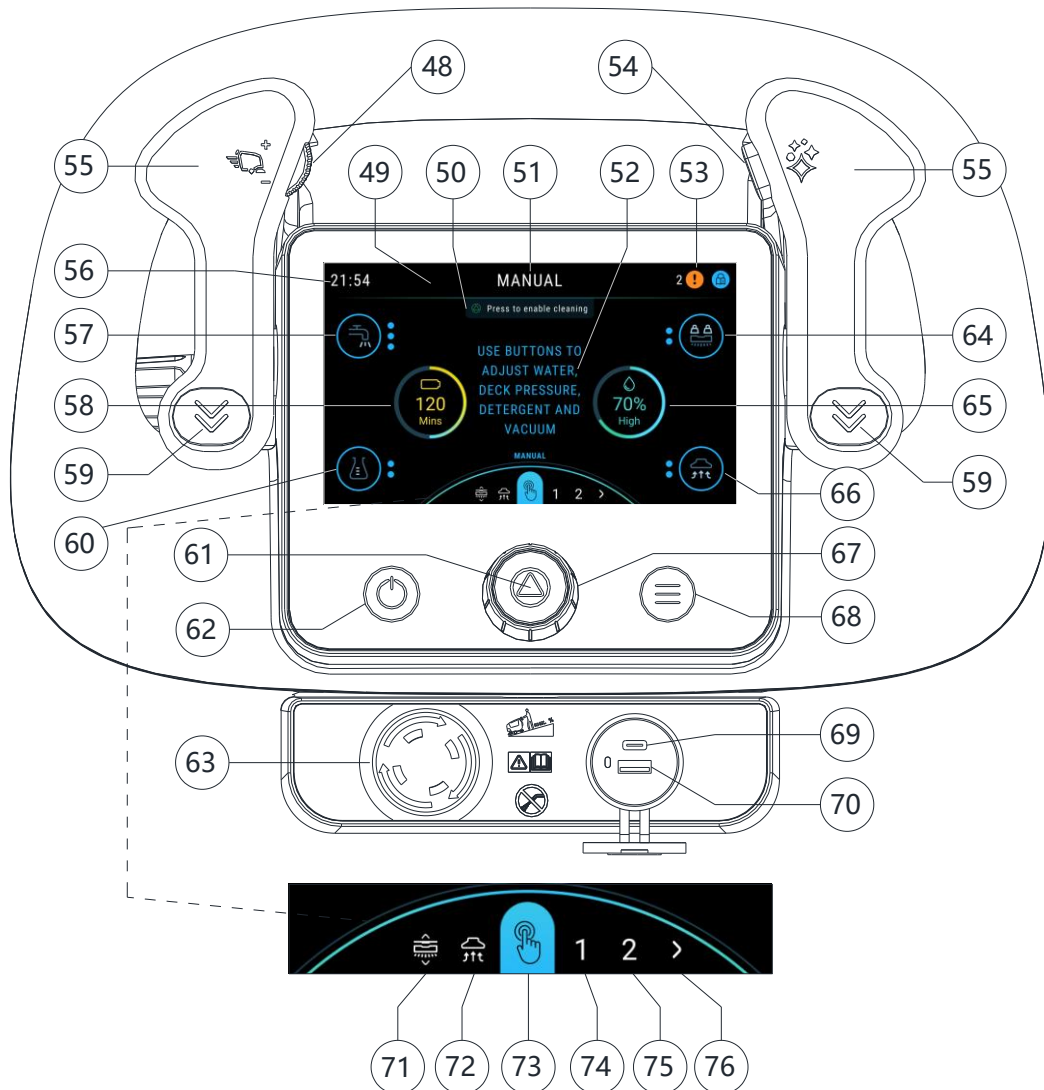
(T) Ponto de toque com cor azul



PAINEL DE CONTROLO

- 48. Mostrador do controlo de velocidade (T)
- 49. Cabeçote
- 50. Área de mensagens
- 51. Nome predefinido
- 52. Área de informações
- 53. Área de estado
- 54. Botão de potência extra (T)
- 55. Painel avançar
- 56. Relógio
- 57. Botão de nível de água (apenas no modo manual)
- 58. Gráfico do nível de bateria
- 59. Painel marcha-atrás
- 60. Botão de nível de detergente (apenas no modo manual)
- 61. Botão Iniciar/parar/selecionar
- 62. Botão de ligar
- 63. Botão de paragem de emergência
- 64. Botão de pressão da cabeça (apenas no modo manual)
- 65. Gráfico do nível de água
- 66. Botão de aspiração (apenas no modo manual e no modo de aspiração)
- 67. Mostrador inteligente (T)
- 68. Botão de menu
- 69. Tipo C
- 70. USB-A
- 71. Modo de ativação/desativação do clique da escova (somente máquina com escova de disco)
- 72. Modo apenas de aspiração
- 73. Modo Manual
- 74. Modo de predefinições 1
- 75. Modo de predefinições 2
- 76. Mais predefinições

(T) Ponto de toque com cor azul



ACESSÓRIOS/OPÇÕES

Para além dos componentes por defeito, a máquina pode ser equipada com os acessórios/opções seguintes, de acordo com a utilização específica da máquina:

- Baterias de GEL/baterias de iões de lítio
- Carregador de bateria eletrónico
- Escovas de disco de materiais diferentes em relação ao standard
- Feltros de materiais diferentes
- Dispositivo conectividade
- Caddy
- Proteção contra respingos
- Outro material das lâminas
- EcoFlex
- Sistema de enchimento automático
- KIT FOB
- Suporte da mopa

Para mais informações relativas aos acessórios opcionais acima indicados, consulte o seu revendedor habitual.

DADOS TÉCNICOS

Modelo	SC550 53D	SC550 61D	SC550 51C	SC550 51R
Tanque de solução	13.2 US gal (50 liters)			
Tanque de recuperação	13.2 US gal (50 liters)			
Dimensões da embalagem (C x L x A)	52.36x21.3x41.3 in (1330x540x1050 mm)	52.8x26.8x41.3 in (1340x680x1050 mm)	50.8x23.2x41.3 in (1290x590x1050 mm)	53.5x21.3x41.3 in (1360x540x1050 mm)
Largura do limpador	29in (730mm)	32 in (810mm)		29in (730mm)
Largura de lavagem	21 in/20 in (530 mm/508 mm)	24 in (610 mm)	20 in (508 mm)	20 in (508 mm)
Diâmetro da roda motriz	7.8 in (200 mm)			
Pressão máxima específica das rodas de tração no solo (GVW)	75 psi (0.52 N/mm ²)	74 psi (0.51 N/mm ²)	73 psi (0.5 N/mm ²)	71 psi (0.49 N/mm ²)
Diâmetro da roda traseira	3.2 in (80 mm)			
Pressão máxima específica das rodas traseiras no solo (GVW)	297 psi (2.05 N/mm ²)	203 psi (1.4 N/mm ²)	280 psi (1.93 N/mm ²)	284 psi (1.96 N/mm ²)
Suporte de pressão da escova/máx	33 lb/66 lb (15 kg/30 kg)	55 lb /66 lb (25 kg/30 kg)	48.5 lb (22 kg)	48.5 lb /66 lb (22 kg/30 kg)
Valores de fluxo da solução	0,75/1,5/3,0 cl/meter	0,90/1,8/3,6 cl/meter	1,0/1,83/2,8 cl/meter	0,38/0,75/1,5 cl/meter
Modo de fluxo total da solução	0.98 gpm (3,7 liter/minute)			
Porcentagem de detergente do sistema EcoFlex	Ratio 1:400 ÷ 1:33 (0.25 % ÷ 3 %)			
Pressão sonora no ouvido do operador (ISO 11201, ISO 4871, EN 60335-2-72) (LpA) Modo normal/Modo silencioso	63±3 dB(A)/ 56±3 dB(A)	65±3 dB(A) / 61±3 dB(A)	65±3 dB(A)/ 59±3 dB(A)	65±3 dB(A) / 62±3 dB(A)
Potência sonora emitida pela máquina (ISO 3744, ISO 4871, EN 60335-2-72) (LwA) Modo normal/Modo silencioso	75 dB(A) / 71dB(A)	80 dB(A) / 75 dB(A)	77 dB(A) / 76 dB(A)	78 dB(A) / 77 dB(A)
Nível das vibrações no braço do operador (ISO 5349-1, EN 60335-2-72)	< 98.4 in/s ² (< 2.5 m/s ²)			
Inclinação máxima de utilização (*1)	10 %			
Potência do motor do sistema de tração	24V/0.27 hp (24V/200 W)			
Velocidade do condutor	0 - 3.1 mi/h (0 - 5 km/h)			
Motor de aspiração	24V/0.48 hp (24V/350 W)			
Depressão do circuito do sistema de aspiração Modo normal/Modo silencioso	Normal: 29.9 in H ₂ O (760 mm H ₂ O) Silent: 16.1 in H ₂ O (410 mm H ₂ O)			
Motor da escova	24V/0.6 hp (24V/450 W)	(2x) 24V/0.6 hp ((2x) 24V/450 W)	(2x) 24V/0.4 hp ((2x) 24V/300 W)	24V/0.48 hp (24V/350 W)
Velocidade da escova	120 rpm	120 rpm	600 rpm	-
Entrada de potência nominal (*2)	1.1 hp (830 W)	0.85 hp (630 W)	0.9 hp (680 W)	0.76 hp (560 W)
Classe de proteção IP	X4			
Classe de proteção (elétrica)	III			
Tamanho do compartimento da bateria (C x L x A)	13.8x13.8x10.2 in (350x350x260 mm)			
Tensão instalação	24V			
Baterias de íões de lítio padrão 50Ah*1	24V 50Ah			
Carregador de bateria de íões de lítio	24V 27.1A			
Tempo máx. de funcionamento lão lítio 50Ah (*) Modo eco (50Ah 1pçs)	3.7 hour	3.4 hour	3.6 hour	3.8 hour
Tempo máx. de funcionamento lão lítio 50Ah(*) Modo normal (50Ah 1pcs)	3.6 hour	3 hour	2.8 hour	3.2 hour
Peso sem baterias e com os tanques vazios	231 lb (105 kg)	254 lb (115 kg)	245 lb (111kg)	234 lb (106 kg)
Peso veículo bruto com bateria de íões de lítio (50Ah) (GVW)	381 lb (173 kg)	403 lb (183 kg)	395 lb (179 kg)	384 lb (174 kg)
Peso de transporte com bateria de íões de lítio (50Ah) (pacote completo)	326 lb (148 kg)	348 lb (158 kg)	340 lb (154 kg)	329 lb (149 kg)

(*) Os valores refletem as condições operacionais padrão (EN 60335-2-72)

(*1) O comprimento máximo de uso contínuo no declive deverá ser inferior a 20 metros.

DIAGRAMA DA CABLAGEM (SISTEMA DE BATERIA DE ÍONS DE LÍTIO)

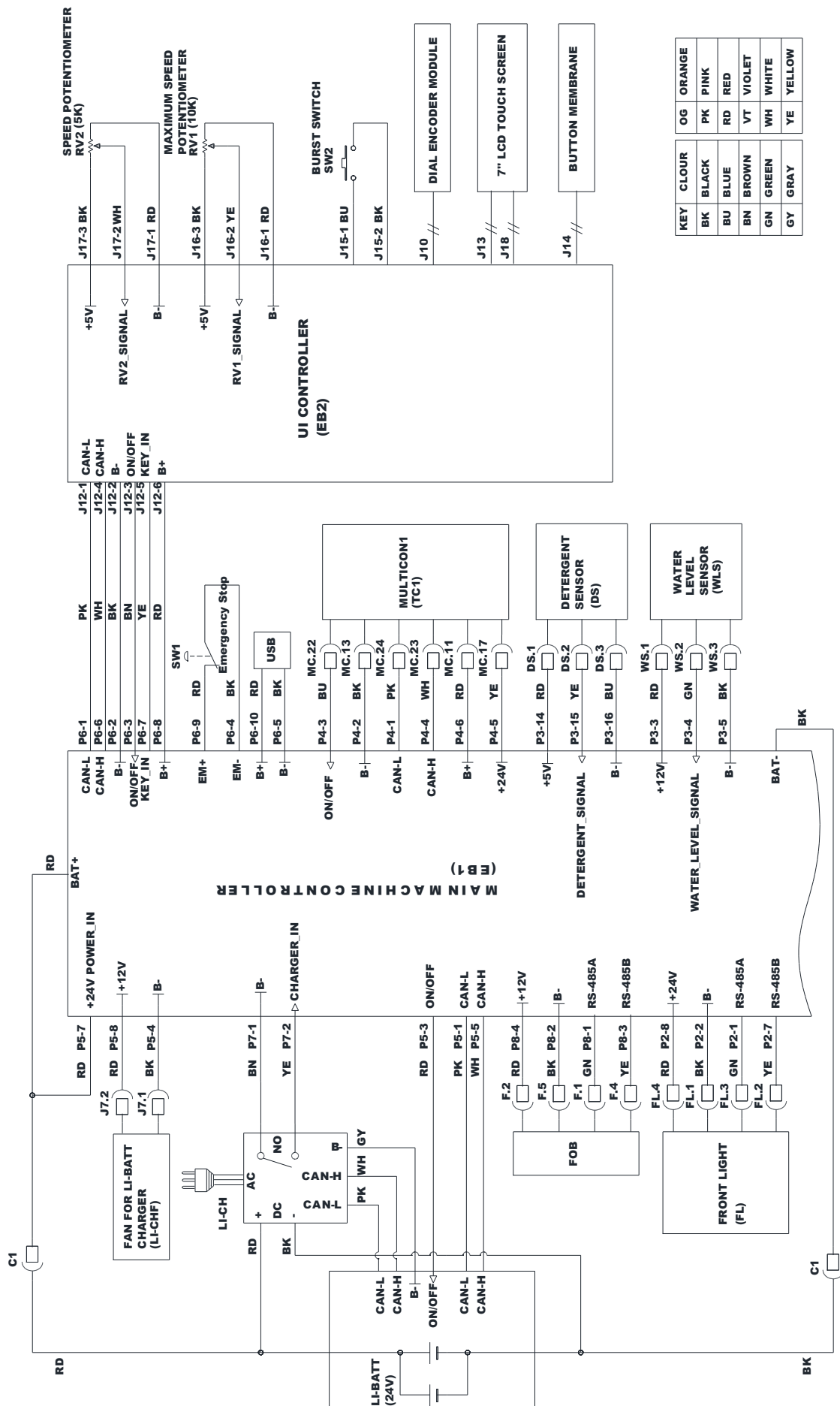
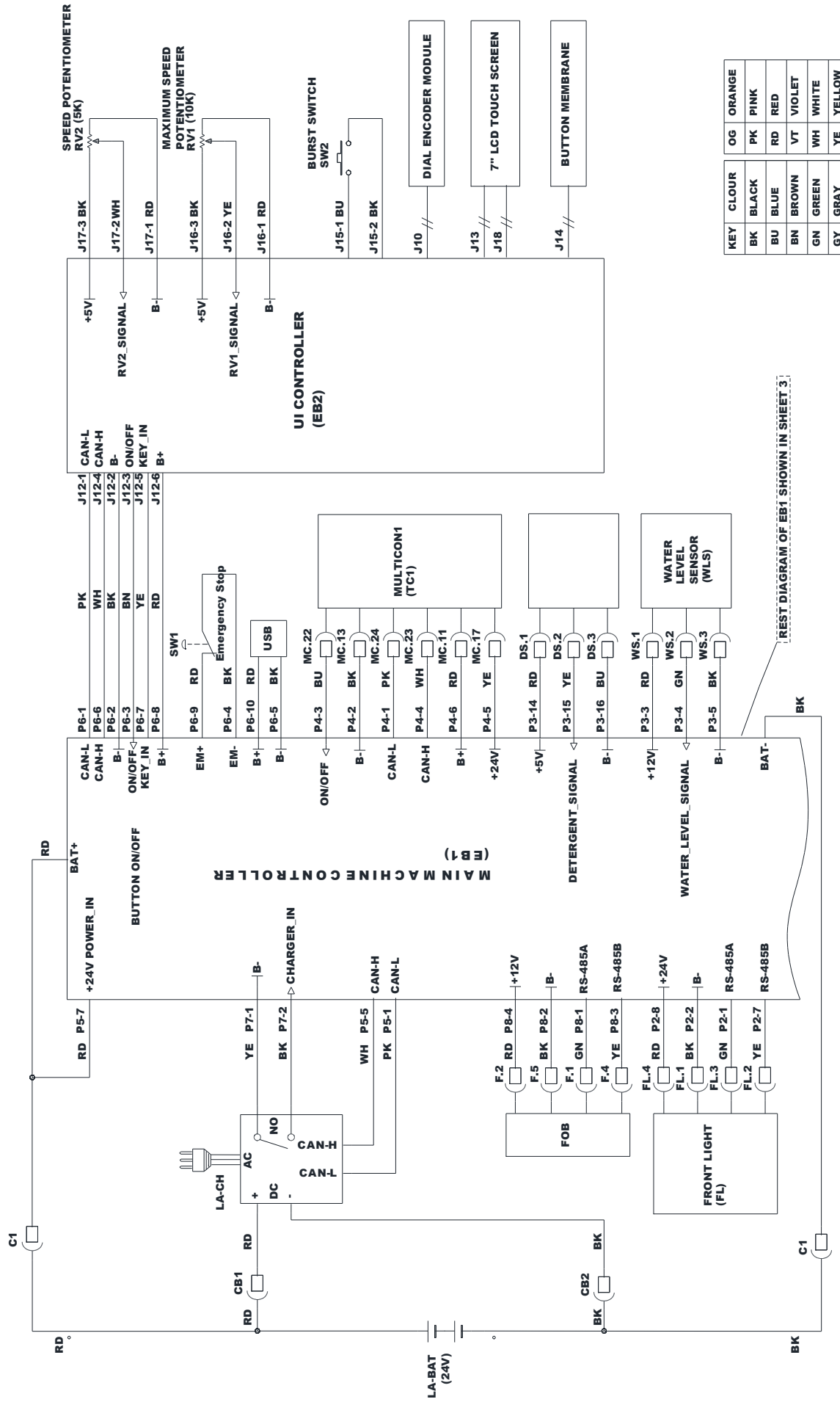


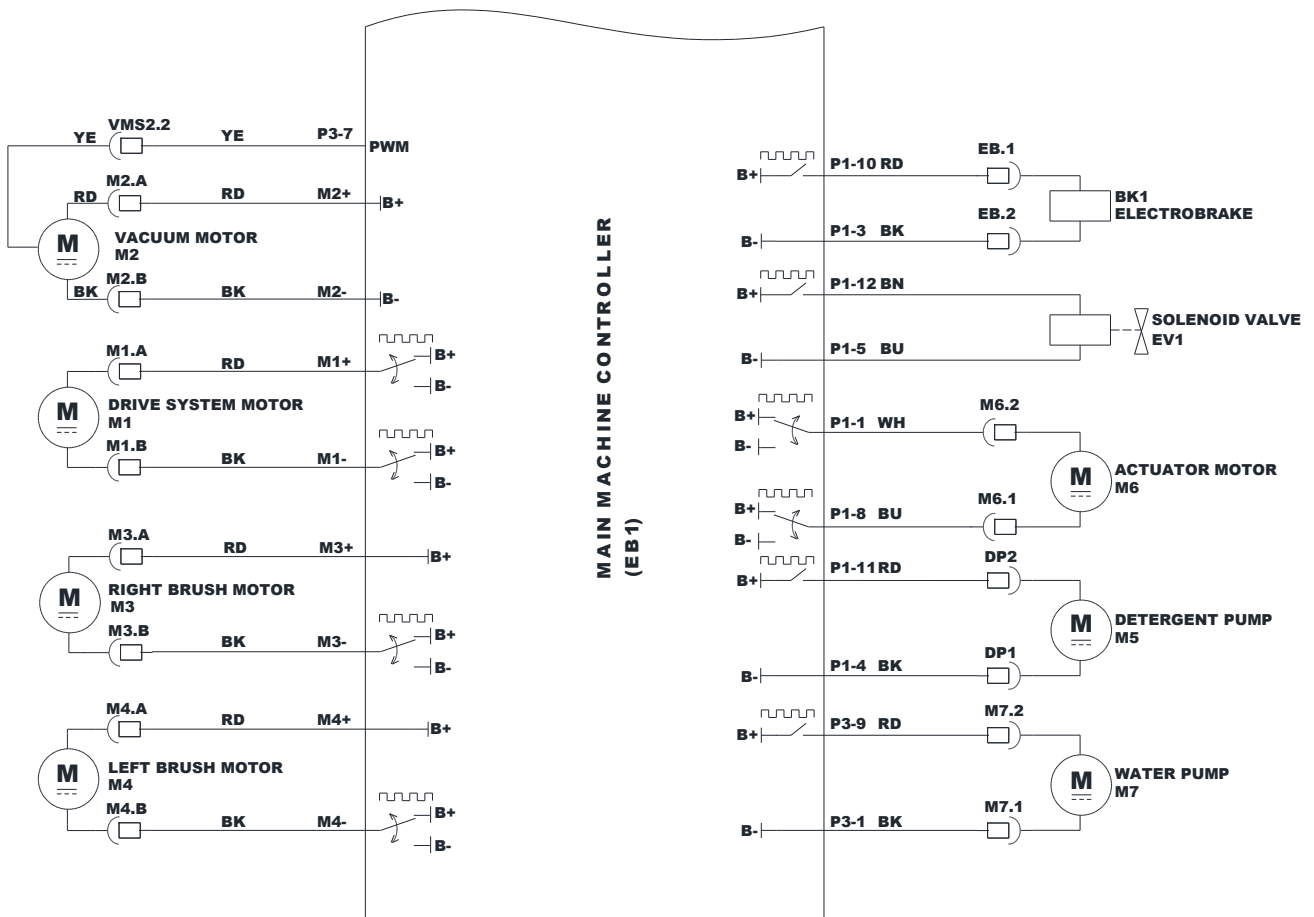
DIAGRAMA DA CABLAGEM
(SISTEMA DE BATERIA DE CHUMBO)



REST DIAGRAM OF EB1 SHOWN IN SHEET 3.

DIAGRAMA DA CABLAGEM

(PARTES COMUNS)



Legenda

LI-BAT	BATERIA DE ÍONS DE LÍTIO (24V 50Ah) SIP
LI-CH	CARREGADOR DE BATERIA DE ÍONS DE LÍTIO 24V 27A SIP
LI-CHF	VENTOINHA DC SIP
LA-BAT	BATERIAS DE CHUMBO
LA-CH	CARREGADOR DE BATERIA DE CHUMBO
FOB	KIT FOB
FL	LUZ DIANTEIRA W LASER SIP LUZ DIANTEIRA SIP
EB1	CONTROLADOR PRINCIPAL DA MÁQUINA SIP
EB2	MÓDULO UI SIP
TC1	DISPOSITIVO CONECTIVIDADE
DS	SENSOR DE NÍVEL DE DETERGENTE SIP
WLS	NÍVEL DE ÁGUA DO SENSOR SIP
RV1	KIT DE AJUSTE DE VELOCIDADE PAINEL F
RV2	POTENCIÓMETRO 5K SIP
M3	MOTOR ELÉTRICO 350W 24V SIP
	MOTORREDUTOR DE REDUÇÃO 450W 24V SIP
	MOTORREDUTOR DE REDUÇÃO 450W 24V SIP
	MOTOR CIL 24V 300W 1500RPM SIP

Código das cores

BK	PRETO
BU	AZUL
BN	CASTANHO
GN	VERDE
GY	CINZENTO
OG	LARANJA

M4	MOTORREDUTOR DE REDUÇÃO 450W 24V SIP
	MOTOR CIL 24V 300W 1500RPM SIP
M1	MOTOR DE TRACÇÃO KIT 24V 200W
M2	MOTOR DE ASPIRAÇÃO BLDC 24V 350W SIP
M5	BOMBA DETERG MIX PERISTÁLTICA 24V SIP
M6	ATUADOR 24V 550N 105MM SIP
	ATUADOR LINEAR 24V DC STRK 120MM SIP ATUADOR LINEAR 24V DC STRK 98MM SIP
M7	BOMBA DE SOLUÇÃO 24V 3.8L/MIN 40PSI SIP
EV1	VÁLVULA SOLENOIDE 24V SIP
BK1	TRAVÃO ELECTROMAGNÉTICO SIP
USB	PORTA USB SIP
MÓDULO DO CODIFICADOR DE MARCAÇÃO	MÓDULO UI SIP
MEMBRANA DE BOTÃO	MÓDULO UI SIP
ECRÃ TÁTIL 7" LCD	MÓDULO UI SIP
SW1	INTERRUPTOR KIT DE EMERGÊNCIA
SW2	KIT DE ALTA PERFORMANCE PAINEL F

PK	ROSA
RD	VERMELHO
VT	ROXO
WH	BRANCO
YE	AMARELO

UTILIZAÇÃO/OPERAÇÃO



ATENÇÃO!

Em alguns pontos da máquina, existem algumas placas adesivas que indicam:

- PERIGO
- ATENÇÃO
- CUIDADO
- CONSULTA

Durante a leitura deste guia, o operador deve compreender perfeitamente o significado dos símbolos presentes nas placas (ver o parágrafo "Símbolos visíveis na máquina").

Não cubra estas placas de forma alguma e substitua-as se forem danificadas.

NOVA CRIAÇÃO DE UTILIZADOR E INTERFACE DE INÍCIO DE SESSÃO

- Quando a máquina é ativada pela primeira vez, a máquina orientará a criação de uma conta de "UTILIZADOR SUPERVISOR". Esta é a mais alta autoridade da máquina, e o operador deve concluir a criação desta conta para prosseguir para a próxima etapa. O "SUPERVISOR DE UTILIZADOR" pode criar mais utilizadores nas definições/interface de acesso do utilizador. (veja o parágrafo da INTERFACE DO MENU no capítulo da Manutenção)
 - Senha "UTILIZADOR FORMANDO" (0000) Para uso pela primeira vez/novo operador. A principal diferença é iniciar no modo de formação com todos os pop-ups ativados.
 - Senha "UTILIZADOR BÁSICO" (Criada por "UTILIZADOR SUPERVISOR") Para o utilizador em geral, apenas as predefinições ativadas pelo Supervisor estão disponíveis. (Nenhum modo manual disponível).
 - Senha "UTILIZADOR AVANÇADO" (Criação por "UTILIZADOR SUPERVISOR") Modo manual disponível. Capacidade de alterar as relações/configurações de detergente.
 - Senha "SUPERVISOR DE UTILIZADOR" (Criar quando a máquina é ativada pela primeira vez ou criar por existente "SUPERVISOR DE UTILIZADOR") Todas as definições e predefinições disponíveis, capacidade de adicionar novos utilizadores, alterar a configuração da cabeça, alterar baterias, etc.
- Depois de reiniciar a máquina, a máquina entrará na interface de login de senha mostrada na Figura 1 e, em seguida, digitará a sua senha para iniciar a máquina.



Figura 1

VERIFICAÇÃO/DEFINIÇÃO DE BATERIAS NUMA MÁQUINA NOVA



ATENÇÃO!

Os componentes eléctricos da máquina podem ser seriamente danificados caso as baterias estejam instaladas ou ligadas incorrectamente.

As baterias devem ser instaladas unicamente por pessoal qualificado.

Inspeccione as baterias antes da instalação para verificar que não estejam danificadas.

Manuseie as baterias com cuidado.

VERSÃO BATERIA DE IÕES DE LÍTIO: A máquina requer pelo menos uma bateria de 24 V, ligada de acordo com o diagrama mostrado na Figura 2.

VERSÃO BATERIA DE CHUMBO: A máquina requer 2 baterias de 12 V, ligadas conforme indicado na Figura 3.

Baterias montadas na máquina e prontas para a utilização

1. Certifique-se de que o conector das baterias (21) está ligado.
2. Ao utilizar a máquina pela primeira vez com baterias novas, executar um ciclo de carregamento completo (consultar o procedimento no capítulo Manutenção).

INSTALAÇÃO DA BATERIA



PERIGO!

Esta máquina requer bateria de íão de lítio de uso exclusivo selada.

Instalação da bateria de íões de lítio

1. Desligue a máquina com o botão iniciar/parar (62).
2. Desligue o conector da bateria (21).
3. Levante a tampa (2) e verifique se o tanque de recuperação (3) está vazio; caso contrário, esvazie-o através do tubo de esvaziamento (18).
4. Feche a tampa (2).
5. Segure a pega (6) levante o tanque com cuidado (3).
6. Solte os parafusos para retirar a tampa da cobertura (se presente).
7. O operador deve desconectar o terminal positivo primeiro, segundo o cabo de controlo e, em seguida, desconectar o terminal negativo na bateria e levantar a bateria um pouco e depois puxá-la para fora no lado esquerdo ou direito.
8. Substitua a nova bateria na máquina e reconecte os terminais e o cabo de controlo à bateria.

PERIGO!

Para a bateria de íões de lítio de 24V 64Ah, preste especial atenção ao ligar os pinos da bateria. O cabo preto deve ser ligado primeiro ao polo negativo (-) da bateria e depois ao cabo de controlo e depois ao polo positivo (+). A ligação ou a sequência erradas podem danificar a bateria.



9. Feche a tampa da caixa e trave novamente os parafusos que estão soltos antes e feche a tampa.

Carregamento das baterias

10. Carregar totalmente as baterias (ver o procedimento no capítulo da Manutenção).

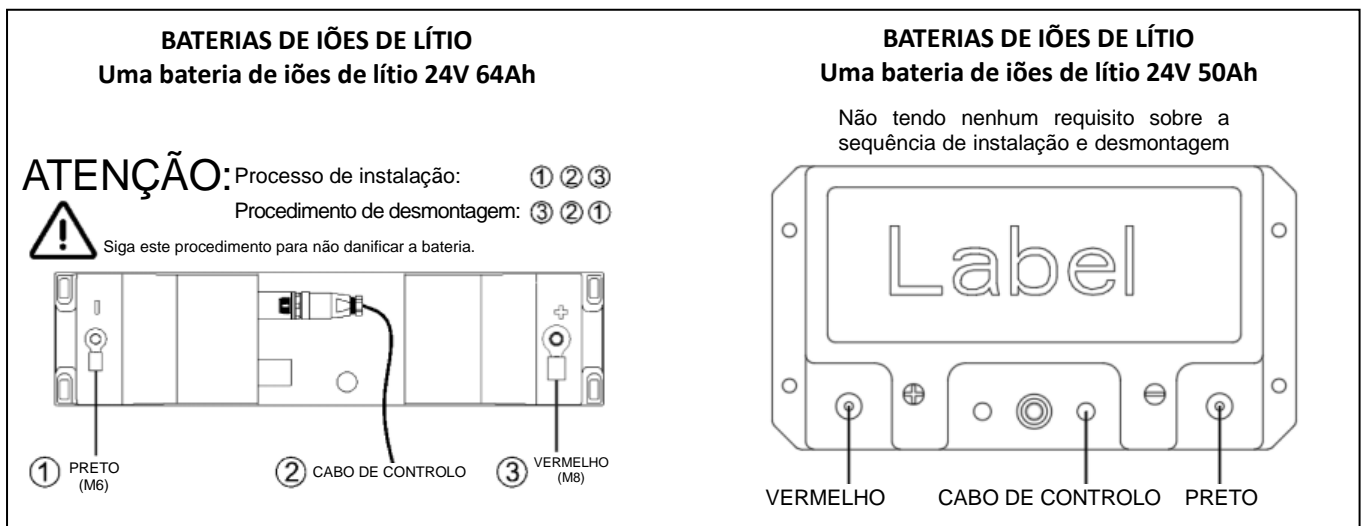


Figura 2

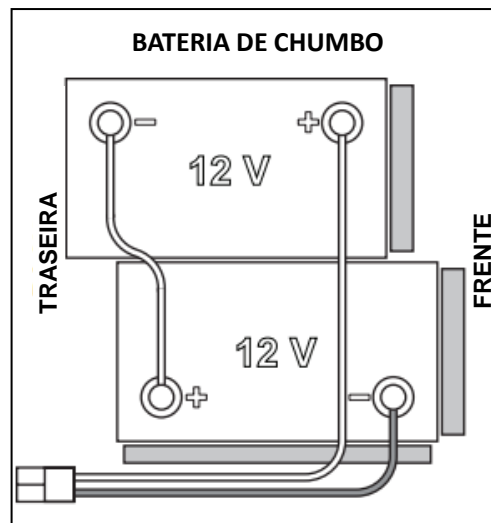


Figura 3

ANTES DE COLOCAR A MÁQUINA EM FUNCIONAMENTO




ATENÇÃO!

Ao ligar a máquina, certifique-se de que não haja material estranho entre a cabeça e o conjunto do tanque que possa obstruir o movimento da cabeça. Se a máquina for desligada sem ter levantado a cabeça, ao voltar a ligá-la, a cabeça levanta-se automaticamente.

Remoção/instalação da escova/suporte do lustrador (sistema com escova de disco)


Na máquina é possível instalar as escovas (A, Fig. 4) e os portas-feltro (B) com feltro (C), de acordo com o tratamento a efetuar no chão.

1. Posicione a escova (A) ou o suporte do lustrador (B) sob a cabeça de lavagem (39) / cabeça de lavagem com escova de disco dupla (43).
2. Pressione o botão iniciar/parar (62) e digite a senha para iniciar a máquina. Botão de marcação Roto (67) para selecionar o modo de ativação/desativação da escova (71), pressione o botão de marcação (61) para confirmar.
3. Pressione o botão de fixação das escova  no ecrã para abaixar a cabeça na escova.
4. Os motores da escova giram automaticamente até que a escova esteja engatada.



CUIDADO!

Certifique-se de que a escova é colocada diretamente abaixo e repita o procedimento se não for instalada sem problemas. Balance a máquina ligeiramente de um lado para o outro de acordo com a posição da escova pode melhorar a taxa de sucesso da instalação automática.

5. Para remover a escova, a cabeça deve ser levantada e o botão de marcação roto (67) para selecionar o modo de ativação/desativação da escova. Pressione o botão de marcação (61) para confirmar. Pressione o botão libertar  escova(s). A escova irá funcionar durante alguns segundos e parar, aguarde até que a escova seja baixada para o chão.

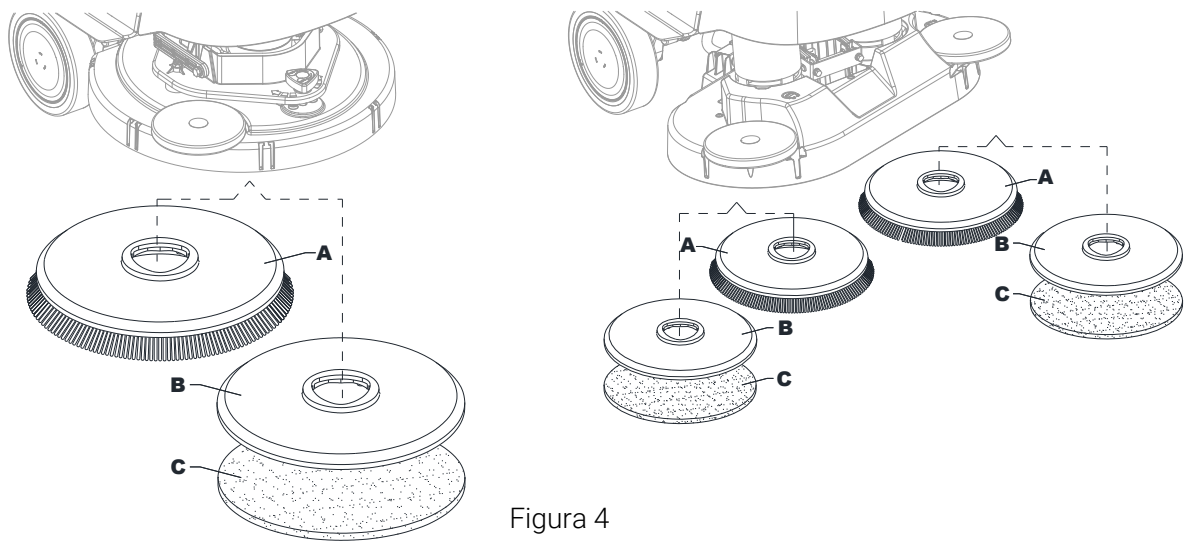


Figura 4

Tipos de escovas disponíveis e guia da sua aplicação (apenas sugestões)

Modelos	46 GRIT	80 GRIT	180 GRIT	240 GRIT	500 GRIT	PROLENE	PROLITE	UNION MIX
Limpeza geral:								
Betão								
Piso de terraço								
Azulejos de cerâmica/pedra								
Mármore								
Pavimento de vinil								
Pavimento de borracha								
Polimento:								
Pavimento de borracha								
Mármore								
Pavimento de vinil								

Remoção/instalação do suporte do lustrador (sistema REV)

1. Certifique-se de que a cabeça REV (41) está levantada.
2. Desligue a máquina com o botão iniciar/parar (62).
3. De acordo com o tipo de limpeza a ser realizada, instale o lustrador (A, Fig. 5) ou a escova (C, opcional) e observe o seguinte:
 - Coloque o lustrador (A) sob a plataforma e pressione-a até que esteja presa com o velcro do disco de acionamento (B).
 - Posicione a escova (C, opcional) sob a cabeça e, em seguida, combine os pinos de centralização (D) com os respectivos orifícios do disco de acionamento (B) e, em seguida, encaixe a escova com os três parafusos de montagem (E).
4. Para remover o lustrador ou a escova, proceda pela ordem inversa.

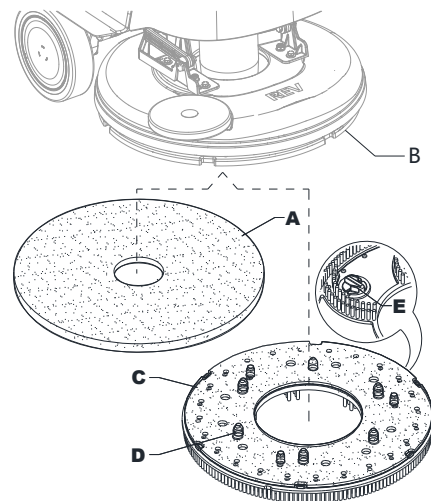


Figura 5

Remoção/instalação da escova (sistema com escovas cilíndricas)

1. Certifique-se de que a cabeça de lavagem com escovas cilíndricas (47) está levantada.
2. Desligue a máquina com o botão iniciar/parar (62).
3. De acordo com o tipo de limpeza a ser realizada, instale a escova (B, Fig. 6) e observe o seguinte:
 - Solte o parafuso (A) e remova o gancho lateral (C) da cabeça de lavagem (D).
 - Instale a escova (B) na cabeça (D). Instale o gancho lateral (C) para a escova e trave o parafuso (A).
4. Para remover a escova, proceda pela ordem inversa.

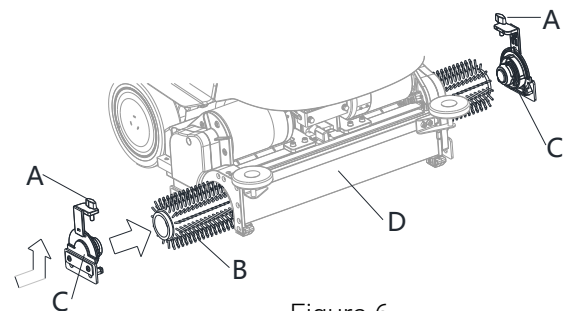


Figura 6

Instalação do limpador

1. Instale o limpador (A, Fig. 7) e fixe-o ao suporte (C) com os volantes (B).
2. Se necessário, ajuste o limpador com o botão (D) de modo a que a lâmina traseira (E) e a lâmina frontal (F) toquem no chão, conforme ilustrado na figura.

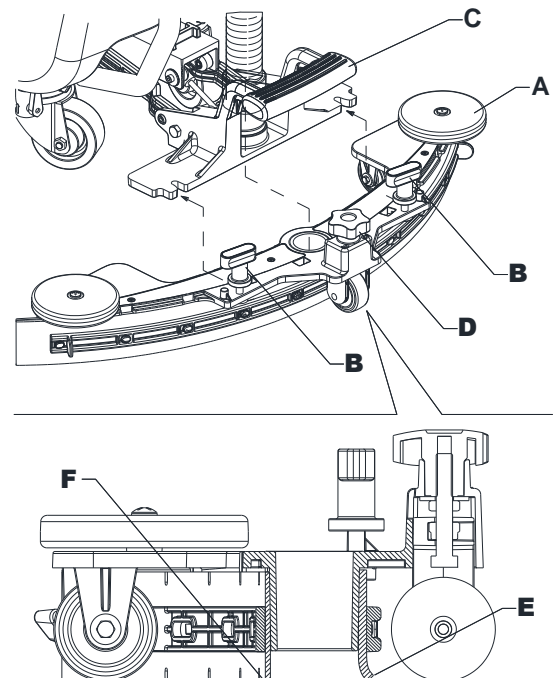


Figura 7

Enchimento do tanque da solução detergente



CUIDADO!

Unicamente utilize detergentes não inflamáveis, que façam pouca espuma e que sejam adequados para aplicações em escovas automáticas.



ATENÇÃO!

Durante a utilização de detergentes para a limpeza dos pavimentos, siga as instruções e as advertências indicadas nas etiquetas das garrafas.

Antes de manusear detergentes para a limpeza dos pavimentos, vista luvas e proteções adequadas.



NOTA

Se a máquina estiver equipada com sistema EcoFlex ateste o reservatório com a água limpa; caso contrário ateste com solução detergente.

1. Assegure-se de que a válvula de solução (9) está aberta (9-A).
2. Para encher o depósito de solução (4), utilize o bocal de enchimento dianteiro (33).

(Unicamente para máquinas sem sistema EcoFlex)

3. Encha o tanque (4) com uma solução detergente específica para o trabalho a executar. Não encha completamente o tanque, pare a algumas polegadas ou centímetros do topo. Utilize o tubo de nível (7) como referência. Siga sempre às instruções de diluição indicadas na etiqueta da embalagem do produto químico usado para compor a solução detergente. A temperatura da solução detergente não deve ultrapassar os 40°C.

(Unicamente para máquinas com sistema EcoFlex)

4. Encha o tanque (4) com água limpa. Use a mangueira de enchimento removível de água (32). Não encha completamente o tanque, pare a alguns centímetros do topo. Utilize o tubo de nível (7) como referência. A temperatura da água não deve ultrapassar os 40°C.

Enchimento do tanque de detergente (para máquinas com sistema EcoFlex)

5. Levante a tampa (2) e verifique se o tanque de recuperação (3) está vazio; caso contrário, esvazie-o através do tubo de esvaziamento (18).
6. Feche a tampa (2).
7. Segure a pega (6) levante o tanque com cuidado (3).
8. Encha o tanque (34) com um detergente adequado para o trabalho a efectuar (detergente de alta concentração). Não encha completamente o tanque de detergente, pare a alguns centímetros do topo.

**NOTA**

Para acelerar o enchimento das mangueiras e a operação do sistema (com um novo sistema, se o sistema tiver sido esvaziado para limpeza, etc.), é uma boa ideia executar primeiro o programa de PURGA de detergente. (veja o procedimento no capítulo da Manutenção)

Ajuste do ângulo da pega de operação

1. Assegure-se de que a máquina está desligada.
2. Desaparafuse o botão de trava da alça (5) até que o guidão (B, Fig. 8) possa ser movido.
3. Ajuste para o ângulo de operação e trave através do botão de trava da alavanca (A).

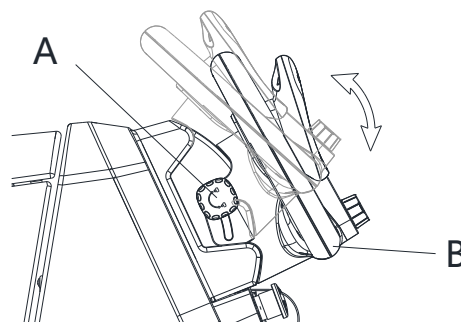


Figura 8

INICIAR E PARAR A MÁQUINA**Iniciar a máquina**

1. Prepare a máquina como previsto no parágrafo anterior.
2. Pressione o botão de iniciar/parar (62). Nos primeiros 2 segundos após o arranque da máquina, o ecrã apresenta a interface de senha. Digite a senha para iniciar a máquina.
3. O ecrã exibe a interface principal.

**NOTA**

Verifique o nível de carga da bateria. Quando o símbolo da bateria do visor do ecrã (58) está baixo, as baterias têm de ser carregadas (veja o procedimento no capítulo da Manutenção).

4. Conduza a máquina para a área necessária, iniciando-a com as mãos no guidão (15) e empurrando o painel (16) para frente para avançar e para trás para mover-se para trás. A velocidade pode ser regulada pressionando o painel (16) mais ou menos. A velocidade máxima pode ser configurada com o botão de ajuste de velocidade (48).

Parar a máquina

5. Pare a máquina soltando o painel (16).
6. Desligue a máquina ao pressionar o botão iniciar/parar (62).

**NOTA**

Se a máquina estiver ligada, mas não estiver a funcionar, desliga-se automaticamente após 5 minutos.

7. Verifique que a máquina não pode mover-se sozinha.

**ATENÇÃO!**

Em caso de emergência, para parar todas as funções da máquina imediatamente, pressione o botão de paragem de emergência (63).

MÁQUINA EM OPERAÇÃO (LAVAGEM/SECAGEM)

1. Ligue a máquina como previsto no parágrafo anterior.
2. Baixe o limpador (11) com o pedal (23).
3. Pressione o botão iniciar/parar (62) e digite a senha para iniciar a máquina. Botão de marcação Roto (67) para selecionar o modo de limpeza da seguinte forma e pressione o botão de marcação (61) para confirmar.
 - Modo manual (73)- O fluxo de solução, o fluxo de detergente, a pressão da escova, o nível de aspiração podem ser ajustados no ecrã.
 - Modo de limpeza inteligente (74) - Pré-ajuste, não pode ser ajustado no ecrã.
 - Modo de limpeza padrão (75) - Pré-ajuste, não pode ser ajustado no ecrã.
 - Modo de limpeza profunda/modo de preparação do piso (apenas REV) - Pré-ajuste, não pode ser ajustado no ecrã.
4. abaixe a cabeça de lavagem e comece a esfregar e secar. Inicie a limpeza manobrando a máquina e pressionando o painel (16) quando a escova estiver abaixada no chão. Se necessário, ajuste a velocidade máxima com o botão de ajuste de velocidade (48).
5. Ajuste o fluxo da solução pressionando o botão de ajuste do fluxo da solução (apenas modo manual) conforme necessário, dependendo do tipo de limpeza a ser executada.



NOTA

Para os primeiros 3 níveis de fluxo (Fig. 9), a quantidade de solução dispensada é automaticamente ajustada de acordo com a velocidade da máquina, a fim de obter uma quantidade constante de solução por metro linear de limpeza.



Versão	Valores de fluxo da solução (cl/metro)				Modo de fluxo total da solução gpm (litro/minuto) requer um utilizador supervisor para habilitá-lo.
	Lev.0	Lev.1	Lev.2	Lev.3	
Disco	DESLIGADO	0,75	1,5	3,0	0.98 gpm (3,7 litros/minuto)
REV	DESLIGADO	0,38	0,75	1,5	
Disco dupla	DESLIGADO	0,90	1,8	3,6	
Cilíndrica	DESLIGADO	1,0	1,83	2,8	

Figura 9

6. Por forma a reduzir o ruído, volte a ligar a função de silenciar o sistema de aspiração pressionando o botão de ajuste/desativação do sistema de aspiração (66) (apenas no modo manual).



NOTA

Para uma lavagem/secagem correcta dos pavimentos nos bordos das paredes, a Nilfisk sugere aproximar-se com o lado direito da máquina como representado na figura 10.

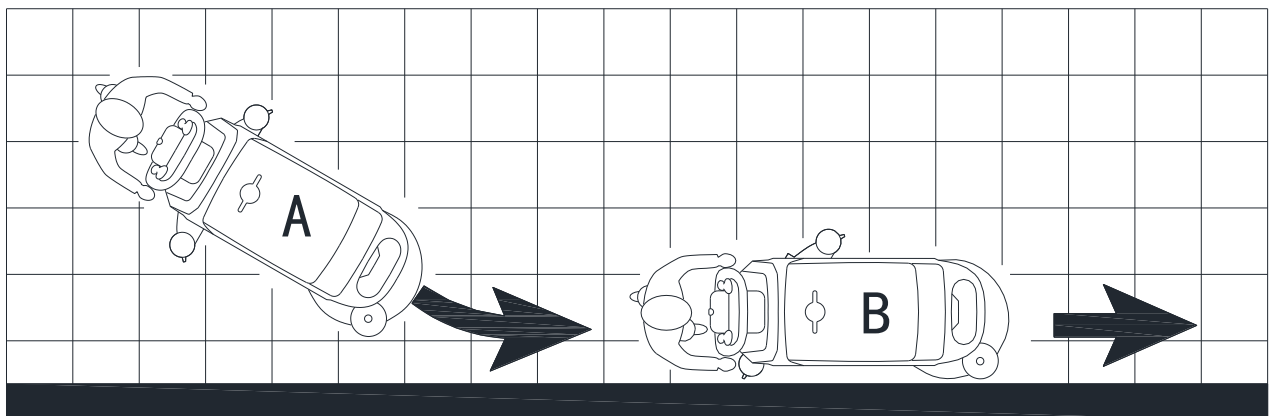


Figura 10



ATENÇÃO!

Para evitar qualquer dano à superfície do piso, desligue a escova quando a máquina estiver parada, especialmente quando a função de pressão extra estiver ligada.

7. No final do trabalho, pressione o botão de marcação (61) para levantar a cabeça de lavagem. Após 10 segundos, o sistema de aspiração também desliga-se.
8. Levante o limpador (11) com o pedal (23).

Ajuste da concentração de detergente na solução de limpeza (apenas modo manual)

- (Unicamente para máquinas com sistema EcoFlex)
- O sistema de mistura do detergente na solução de limpeza é ativado automaticamente quando a escova está em funcionamento.
- A percentagem de detergente adicionada à solução de limpeza é ajustada para o nível 1 (Fig. 11).
- Ao pressionar o botão de ajuste da percentagem de detergente (60), é possível definir o nível de percentagem para 2 ou reiniciar para o nível 0.
- As percentagens definidas são mostradas no ecrã (60).



Percentagem de detergente		
Lev.0	Lev.1	Lev.2
DESLIGADO	0,40% 1:250	0,80% 1:125

Figura 11

Botão de potência extra

Pressione o botão de potência extra (54) quando for necessária temporariamente uma potência de lavagem mais forte. Com a potência extra ativada, aumento do fluxo de solução, ativação da pressão extra da escova e um aumento na concentração de detergente da solução (nível 2 se o nível foi definido para 1 - nível 1 se o nível foi definido para 0). O ecrã apresenta uma contagem decrescente de potência de 60 segundos. Pressione o botão de potência extra (54) novamente para restaurar as configurações originais.



NOTA

Se o botão de potência extra (54) não for pressionado novamente, as configurações originais serão restauradas automaticamente após 60 segundos.



NOTA

Todos os valores de fluxo de solução e concentração de detergente acima são configurações de fábrica. Para alterar estas configurações, consulte o parágrafo do Supervisor no capítulo da Manutenção.

Sistema REV (apenas para a versão REV)

Pressione o modo de preparação do piso quando for necessário um modo de lavagem específico. Com o sistema REV ativado, a velocidade de acionamento é diminuída, a pressão extra da escova é ativada, o detergente é interrompido e a quantidade de solução de limpeza é reduzida.

Trabalhe com a função de pressão extra da escova ligada (apenas modo manual)

Se a sujidade do piso for extremamente resistente, é possível trabalhar no piso com uma pressão suplementar das escovas, operando como indicado a seguir:

1. Pressione o botão iniciar/parar (62) e digite a senha para iniciar a máquina. Botão de marcação Roto (67) para selecionar o modo manual, pressione o botão de marcação (61) para confirmar. Abaixar a cabeça de lavagem, conforme mostrado no parágrafo "Iniciando a máquina".
2. Pressione o botão de pressão extra (64). A ativação da função de pressão extra é mostrada no ícone no ecrã (64).
3. Para voltar à pressão normal, pressione o botão de pressão extra (64) novamente para alternar.



CUIDADO!

Em caso de sobrecarga do motor da escova, devido a corpos estranhos que dificultam o movimento das mesmas ou a pisos/escovas demasiado agressivos, um sistema de segurança pára o motor após aproximadamente um minuto de sobrecarga contínua. Se a sobrecarga ocorrer durante a ativação da função de pressão suplementar, o sistema desliga automaticamente a função de pressão suplementar. Se a sobrecarga continuar, a escova será interrompida. Para começar a esfregar novamente após uma paragem da escova devido a sobrecarga, desligue e, em seguida, ligue a máquina com o botão iniciar/parar (62).

Carregamento da bateria durante o funcionamento

Quando a bateria (58) for exibida baixa no ecrã, é aconselhável carregar as baterias, porque a autonomia residual durará alguns minutos (dependendo das características da bateria e do trabalho a ser realizado). Após alguns segundos, a escova é desligada automaticamente, enquanto o sistema de aspiração e o sistema de acionamento permanecem ligados, para finalizar a secagem do piso e conduzir a máquina até a área de recarga indicada.



CUIDADO!

Não utilize a máquina com as baterias descarregadas para não danificar as baterias e reduzir a vida útil das mesmas.

ESVAZIAMENTO DO TANQUE

Um sistema de fecho automático com boia (30) bloqueia o sistema de aspiração quando o tanque de recuperação (3) está cheio. A desativação do sistema de aspiração é assinalada por um aumento súbito no ruído do motor do sistema de aspiração e o chão não é seco.



CUIDADO!

Caso o sistema de aspiração se desligar por razões acidentais (por exemplo devido à intervenção prematura do bóia durante a deslocação brusca da máquina), para restabelecer o funcionamento desligue o sistema de aspiração e, em seguida, abra a tampa (2) e certifique-se de que a bóia no interior da grelha (30) tenha descido até ao nível da água. Por último, feche a cobertura (2) e volte a ligar o sistema de aspiração.

Quando o tanque de recuperação (3) estiver cheio, efetue ao respetivo esvaziamento operando como previsto a seguir.

Esvaziamento do tanque de recuperação

1. Levante a cabeça de lavagem.
2. Levante o limpador (11) com o pedal (23).
3. Leve a máquina para a zona de despejo designada.
4. Desligue a máquina com o botão iniciar/parar (62).
5. Esvazie o tanque de recuperação (3) com o tubo de esvaziamento (18). No final, lave o tanque com água limpa.

Esvaziamento do tanque da solução detergente

6. Execute os pontos 1 a 4.
7. Esvazie o tanque de solução de detergente (4) utilizando o tubo de nível (7). No final, lave o tanque com água limpa.

DEPOIS DE UTILIZAR A MÁQUINA

Antes de guardar a máquina quando terminar de operar:

1. Remova a escova, como previsto no respetivo parágrafo.
2. Desligue a máquina com o botão iniciar/parar (62).
3. Esvazie os tanques (3 e 4), operando como indicado nos parágrafos específicos.
4. Realize os procedimentos de manutenção (consulte capítulo de Manutenção).
5. Conserve a máquina num local seco e limpo, com a escova e o limpador desmontados ou levantados.

INACTIVIDADE DURANTE LONGO PERÍODO DE TEMPO

Caso preveja não utilizar a máquina por mais de 30 dias, é oportuno:

1. Execute as operações indicadas no parágrafo "Após a utilização da máquina".
2. Para versões com sistema EcoFlex, esvazie o tanque de detergente (35) e limpe o sistema com um ciclo de drenagem (ver o procedimento no capítulo da Manutenção).
3. Feche a válvula do tanque de solução (9-B).
4. Desligue o conector da bateria (21).

MANUTENÇÃO

A duração da vida útil da máquina e sua máxima segurança de funcionamento são garantidas através de uma manutenção cuidadosa e regular.

Encontra-se indicado a seguir o plano de manutenção programada. As periodicidades indicadas podem sofrer variações em função de condições especiais de trabalho, a serem definidas por parte do responsável da manutenção.



ATENÇÃO!

As operações devem ser efetuadas com a máquina desligada e com bateria desconectada.

Além disso, antes de efectuar as manutenções, leia cuidadosamente todas as instruções do capítulo Segurança.

Todas as operações de manutenção programadas ou extraordinárias devem ser efetuadas por pessoal qualificado ou por um centro de assistência autorizado.



CUIDADO!

Quando o ícone de serviço aparece no ecrã (52), contacte um Centro de assistência autorizado da Nilfisk para manutenção programada.

Neste Manual estão indicados unicamente os procedimentos de manutenção mais simples e recorrentes. Para o procedimento de outras operações de manutenção indicadas no diagrama de manutenção programada, consulte o respetivo Manual de assistência que possuem os vários Centros de assistência.

TABELA DE MANUTENÇÃO PROGRAMADA

Procedimento	Diária, após a utilização da máquina	Semanalmente	Semestral	Anualmente
Carregamento das baterias				
Limpeza do limpador				
Limpeza da escova/feltro				
Tanque de recuperação, bandeja de detritos e grelha de aspiração com limpeza do flutuador e junta da tampa e verificação da tremonha de detritos para máquinas com escovas cilíndricas.				
Limpeza e lavagem do sistema de detergente (opcional)				
Controlo das lâminas do limpador				
Limpeza do filtro da solução detergente				
Substituição da lâmina do limpador				
Verificação e limpeza da ventilação do motor de tração e da escova			(1)	
Verificação ou substituição de escova de carbono de motor da escova				(1)
Controlo ou substituição dos carvões do motor do sistema de tração				(1)
Substituição de amortecedor de vibração da cabeça de lavagem (apenas para a versão REV)				(1)

(1) Manutenção de competência de um Centro de assistência autorizado Nilfisk.

CARREGAMENTO DA BATERIA



NOTA

Carregue as baterias quando as exibições estiverem baixas (58) no ecrã ou no final do turno. Manter as baterias carregadas aumenta a duração da vida útil das mesmas.



CUIDADO!

Quando as baterias estão descarregadas, carregue logo que possível, dado que este estado provoca uma redução da vida das mesmas. Controle a carga das baterias pelo menos uma vez por semana.



CUIDADO!

Para o carregamento das baterias com carregador de bateria interno, utilize um carregador de bateria idóneo para o tipo de bateria instalado.



ATENÇÃO!

Se a máquina estiver equipada com baterias de chumbo (WET), durante o carregamento é produzido gás hidrogénio altamente explosivo. Carregue somente em áreas bem ventiladas e longe de chamas livres. Não fume durante o carregamento das baterias. Mantenha o tanque de recuperação levantado até que o ciclo de carregamento da bateria termine.



ATENÇÃO!

Durante a recarga das bateria, preste particular atenção para vazamentos acidentais de líquido das baterias. O líquido é altamente explosivo. Se entrar em contacto com a pele ou os olhos, lave com muita água e consulte um médico.

1. Coloque a máquina na área designada para o carregamento das baterias.
2. Assegure-se de que a máquina está desligado.
3. Levante a tampa (2) e verifique se o tanque de recuperação (3) está vazio; caso contrário, esvazie-o através do tubo de esvaziamento (18).
4. Feche a tampa (2).
5. Segure a pega (6) levante o tanque com cuidado (3).
6. (Unicamente para as baterias WET) Controle o nível do electrólito das baterias. Se necessário, desaparafuse as tampas e ateste. Quando o nível correto for restaurado, feche as tampas e limpe a parte superior das baterias.

Carregamento das baterias com carregador de bateria externo

1. Verifique se o carregador exterior de baterias é adequado, consultando o Manual do aparelho. A tensão nominal do carregador de baterias deve ser de 24 V.
2. Desligue o conector da bateria (21), que está equipado com uma pega, e ligue-o ao carregador de baterias externo.
3. Ligar o carregador de bateria à rede eléctrica.
4. No fim da recarga, desligue o carregador de bateria da rede e do conector (21).
5. Volte a ligar o conector da bateria (21) à sua contraparte fixa na máquina.
6. Baixe cuidadosamente o tanque (3).



ATENÇÃO!

Nunca conecte o carregador externo da bateria à parte oposta do conector fixado à máquina. O sistema eletrónico pode estar irreparavelmente danificado.

Carregamento das baterias com carregador de baterias instalado na máquina

1. Conecte o carregador de bateria (20) à rede eléctrica (a tensão e a frequência da rede devem ser compatíveis com os valores do carregador de bateria indicados na placa de número de série da máquina).



NOTA

Quando o carregador de bateria está ligado à rede eléctrica, todas as funções da máquina são desativadas automaticamente. O ecrã mostra a carregar.

2. Quando a potência do ecrã é de 100%, o ciclo de carregamento da bateria está concluído.
3. Desconecte a ficha do carregador de bateria (20) da rede eléctrica e coloque-o no suporte (19).
4. Baixe cuidadosamente o tanque (3).
5. A máquina está pronta a utilizar.



NOTA

Para mais informações sobre o funcionamento do carregador de bateria (26), consulte o respectivo manual.

INTERFACE DE MENU PARA DIFERENTES UTILIZADORES

A máquina contém quatro tipos de utilizadores e as páginas do menu para cada utilizador serão diferentes.

- UTILIZADOR FORMANDO
- UTILIZADOR BÁSICO
- UTILIZADOR AVANÇADO
- UTILIZADOR SUPERVISOR

Interface de menu (Fig. 12)

1. Pressione o botão iniciar/parar (62) e digite a senha para iniciar a máquina.
2. Pressione o botão de configuração (68) na interface do menu.
3. Selecione o artigo que pretende definir no ecrã tátil.

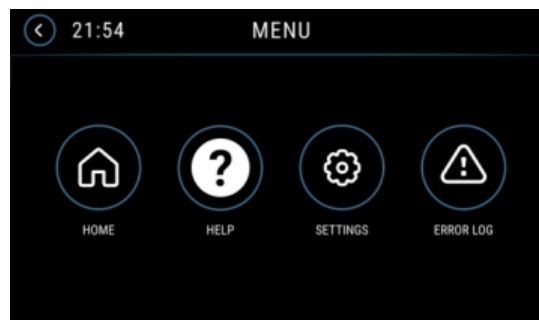


Figura 12

Interface de ajuda da máquina (Fig. 13 a)

Contém os seguintes módulos, que podem ajudar o operador a familiarizar-se rapidamente com a máquina.

1. INÍCIO RÁPIDO (instruções de visualização simples e claras)
2. VÍDEOS DE INSTRUÇÕES (instruções de funcionamento em vídeo)
3. MODO DE FORMAÇÃO (orientação passo a passo)
4. MANUAL DO UTILIZADOR (Manual eletrónico detalhado.)

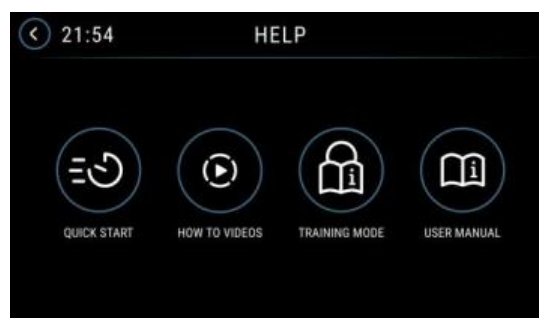


Figura 13 a

Interface de configurações da máquina (Fig. 13 b)

Os seguintes itens permitem-lhe fazer configurações.

1. BRILHO DO ECRÃ
2. HORA E REGIÃO
3. IDIOMA
4. PURGA DE DETERGENTE (Limpeza dos sistemas de tubulação e operações de pré-enchimento de novas tubulações.)
5. INFORMAÇÕES DA MÁQUINA



Figura 13 b

Interface de configurações da máquina (Fig. 13 c)

Apenas para o UTILIZADOR SUPERVISOR

Os seguintes itens permitem-lhe fazer configurações.

1. CONFIGURAÇÕES DA MÁQUINA
2. ACESSO DO UTILIZADOR
3. HORA E REGIÃO
4. IDIOMA
5. CONECTIVIDADE (opção)
6. CONFIGURAÇÕES PREDEFINIDAS
7. CONFIGURAÇÃO DA CHAVE (opção)
8. INFORMAÇÕES DA MÁQUINA

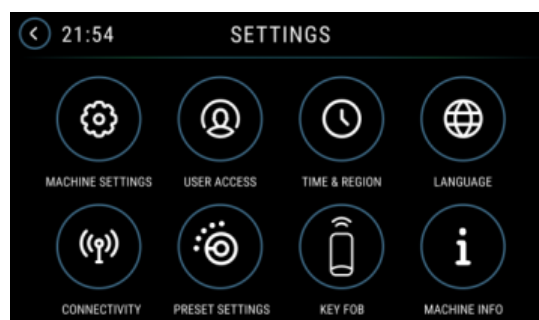


Figura 13 c

Interface de registo de erros da máquina (Fig. 13 d)

Ajuda o operador a entender o estado da máquina e o histórico de relatórios de erros.

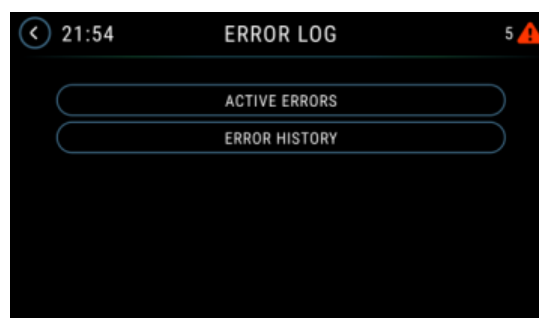


Figura 13 d

PARÂMETROS MODIFICÁVEIS					
Código	Descrição	Valor mín.	Definições de Fábrica	Valor máx.	
CHM1	Nível de concentração do detergente 1	1:500 (0,25 %)	1:250(0,40%)	1:33 (3 %)	
CHM2	Nível de concentração do detergente 2	1:500 (0,25 %)	1:125 (0,80 %)	1:33 (3 %)	
CHAS	Som de alarme de detergente	DESLIGADO	ON - Sempre	LIGADO	
			ON-30seg		
P1/P3	Vazão da solução nível 1 em relação ao nível 3 (consulte a seção "Sistema para regulação da taxa de fluxo em função da velocidade")	Única	0%	25%	100%
		Dupla	0%	21%	100%
			0%		
		REV	0%	25%	100%
P2/P3	Vazão da solução nível 2 em relação ao nível 3 (consulte a seção "Sistema para regulação da taxa de fluxo em função da velocidade")	Cilíndrica	0%	36%	100%
		Única	0%	50%	100%
		Dupla	0%	50%	100%
		REV	0%	50%	100%
P3	Vazão da solução nível 3	Cilíndrica	0%	77%	100%
		Única	1,0 cl/m	3,0 cl/m	5,0 cl/m
		Dupla	1,0 cl/m	3,6 cl/m	5,0 cl/m
		REV	1,0 cl/m	1,5 cl/m	5,0 cl/m
P4	Fluxo de solução de nível 4 habilitado	Cilíndrica	1,0 cl/m	2,8 cl/m	5,0 cl/m
		Única	1,0 cl/m	2,8 cl/m	5,0 cl/m
P4	Fluxo de solução de nível 4 habilitado	DESLIGADO	DESLIGADO	LIGADO	
SPT	Temporizador de função EcoFlex	0 (desativado)	60 seg.	300 seg.	
FVMIN	Velocidade mínima de marcha para a frente	0%	5%	100%	
FVMAX	Velocidade máxima para a frente	10%	100%	100%	
RVMAX	Máxima velocidade inversa	10%	40%	50%	
WVMAX	Velocidade máxima de trabalho	10%	100%	100%	
BRMAX	Velocidade máxima da escova	0%	90%	100%	
BAT	Tipo de bateria instalada	0	10(ACE)	10	
TOFF	Tempo de inatividade	0 (desativado)	4mins	10mins	
BRGH	Brilho do ecrã	1	16	16	
VRID	Potência de aspiração em modo silencioso (valor de PWM)	10%	20%	80%	
VRIN	Potência de aspiração no modo normal (valor de PWM)	10%	38%	80%	
RPM1	Limite de ativação de RPM da escova reduzido	5	9	20	
RPM2	Limite de ativação de RPM da escova reduzido	5	15	20	
REINICIALIZAR	Restaurar configurações de fábrica para todos os parâmetros	DESLIGADO	DESLIGADO	LIGADO	

LIMPEZA DO LIMPADOR**NOTA**

Para obter uma boa secagem, o limpador deve estar limpo e com as lâminas em boas condições.

**ATENÇÃO!**

Recomendamos que utilize luvas protectoras quando limpar o limpador uma vez que poderão existir detritos afiados.

1. Leve a máquina para um piso nivelado.
2. Assegure-se de que a máquina está desligado.
3. Solte os volantes (13) e retire o limpador (11).
4. Lave e limpe o limpador. Em particular limpe as sujidades e os detritos dos compartimentos (A, Fig. 14) e do orifício (B).
Verifique o estado das lâminas dianteiras (C) e traseiras (D), garantindo que não haja cortes e rasgos; se necessário, substitua-as conforme mostrado abaixo.
5. Monte o limpador na ordem inversa em relação à desmontagem.

CONTROLO E SUBSTITUIÇÃO DAS LÂMINAS DO LIMPADOR

1. Limpe o limpador como indicado no parágrafo anterior.
2. Verifique o estado das lâminas dianteiras (C, Fig. 14) e traseiras (D), certificando-se de que não há cortes e rasgos; se necessário, substitua-as conforme mostrado abaixo. Verifique se o canto frontal (E) da lâmina traseira não está desgastado; caso contrário, rode a lâmina para substituir o canto desgastado por um dos três cantos intactos restantes. Se os outros cantos também estiverem desgastados, substitua a lâmina de acordo com os passos seguintes:
 - Usando a aba (F), solte e remova a correia elástica (G) dos fixadores (H) e, em seguida, rode ou substitua a lâmina traseira (D).
 - Monte a lâmina na ordem inversa em relação à desmontagem. Prenda a tira elástica (G) aos fixadores (H) a partir de um lado. Para facilitar o procedimento de fixação, fixe os fixadores um de cada vez, travando a alça antes do fixador com uma mão (M) e puxando-a com a outra mão (N).
 - Desaparafuse os volantes (I) e remova a correia (J), depois rode ou substitua a lâmina frontal (C).
 - Monte a lâmina na ordem inversa em relação à desmontagem.
3. Instale o limpador (11) e aperte os volantes (13).
4. Abaixar o limpador até o chão para verificar a altura das lâminas, procedendo da seguinte forma:
 - Verifique se o lábio (K) da lâmina frontal (C) e o lábio (L) da lâmina traseira (D) estão apoiados, conforme mostrado na figura.
 - Use o botão (24) para fazer ajustes.

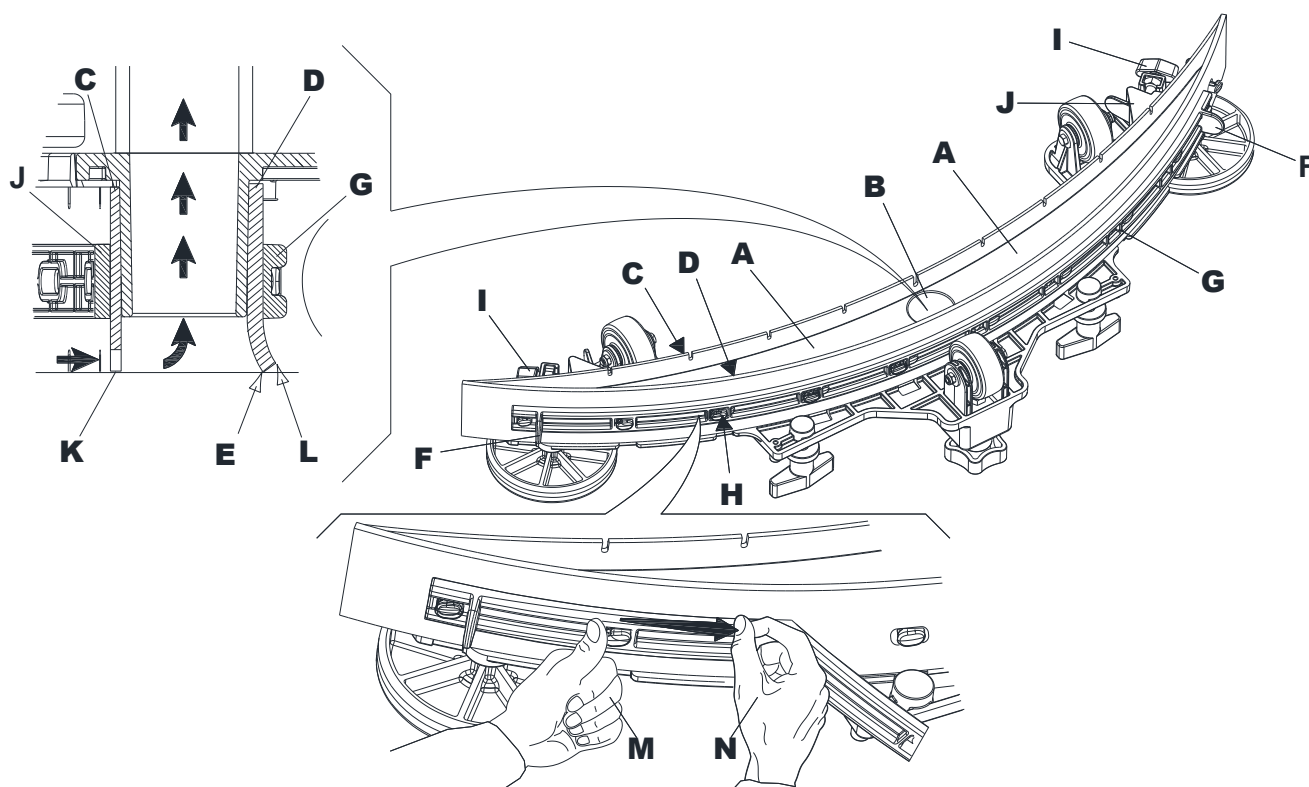


Figura 14

LIMPEZA DA ESCOVA



ATENÇÃO!

Durante a limpeza da escova, aconselha-se o uso de luvas de trabalho devido à possível presença de detritos cortantes.

1. Retire a escova da máquina como descrito no capítulo operação/utilização.
2. Limpe e lave a escova com água e detergente.
3. Verifique o estado das cerdas da escova, certificando-se de que não estão excessivamente desgastadas; se necessário, substitua a escova.

LIMPEZA DO TANQUE DA ÁGUA DE RECUPERAÇÃO

1. Leve a máquina para a zona de despejo designada.
2. Desligue a máquina e pressione o botão iniciar/parar (62).
3. Levante a tampa (2).
4. Lave o interior do tanque (3) e a tampa com água limpa.
5. Descarregue a água do tanque com o tubo (18).
6. Limpe a grelha de aspiração (30), desengate as retenções (A, Fig. 15), abra a grelha (B) e recupere a bóia (C) e limpe com cuidado e volte a instalar.
7. Remova o depósito de recolha de detritos (D) e abra a sua tampa, depois limpe-o cuidadosamente e reinstale-o na mangueira de aspiração.
8. Verifique o estado da junta da tampa do tanque (E). Substitua, se for necessário, a junta (E) após tê-la tirado da própria sede (F). Durante a montagem da nova junta, coloque a junta (G) na zona inferior indicada na figura.



NOTA

A gaxeta (E) permite a criação de uma aspiração no tanque, que é necessária para aspirar a água de recuperação.

9. Verifique se a superfície de assentamento (H) da junta (E) está em boas condições, limpa e adequada para formar uma vedação com a própria junta.
10. Feche a tampa (2).

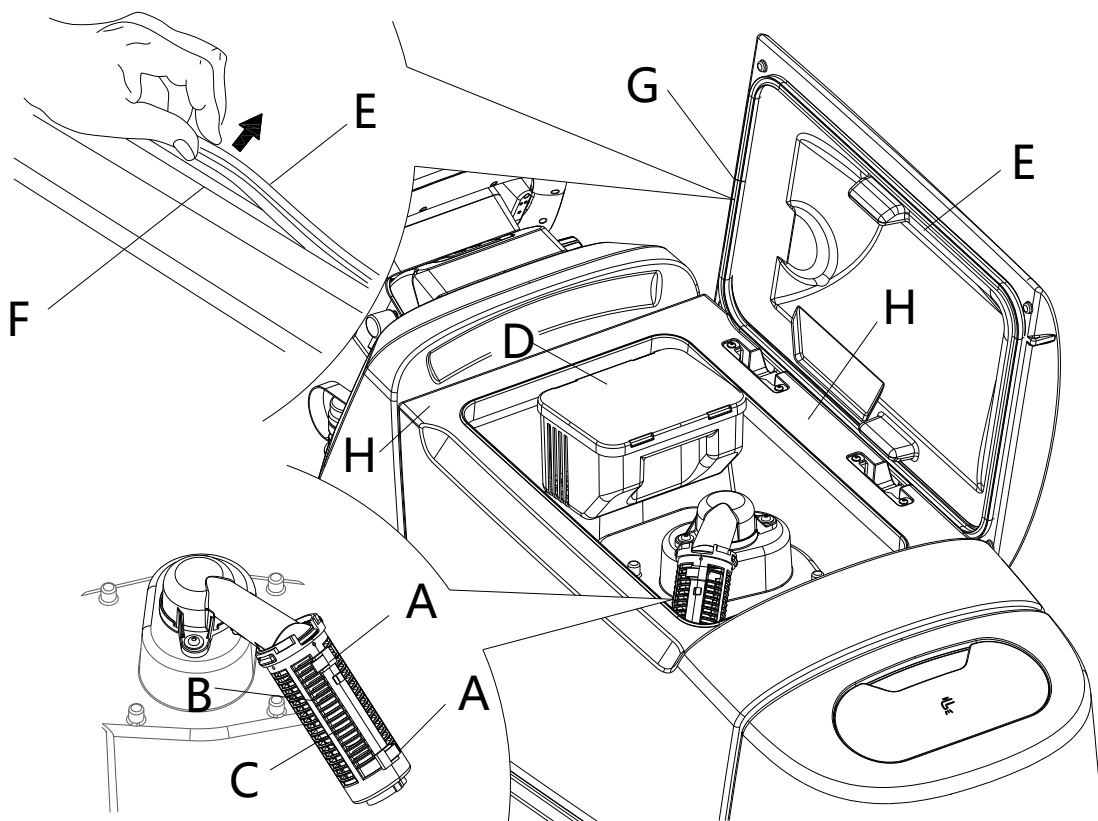


Figura 15

LIMPEZA DO FILTRO DA SOLUÇÃO DETERGENTE

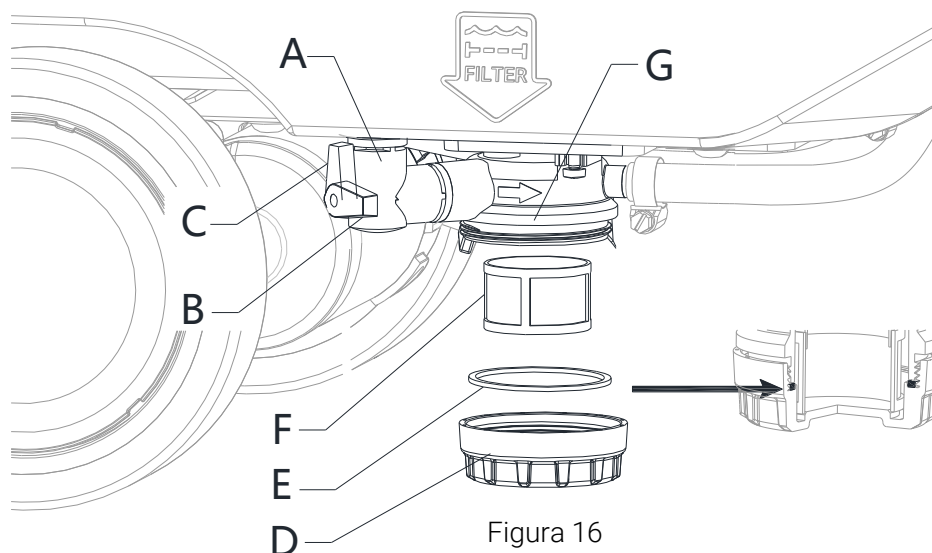
1. Leve a máquina para um piso nivelado.
2. Assegure-se de que a máquina está desligada.
3. Feche a válvula do tanque de solução de detergente (A, Fig. 16). A torneira está fechada quando estiver na posição (B) em relação aos tubos; está aberta quando estiver na posição (C).
4. Remova a cobertura do filtro (D), recupere a junta (E) e, em seguida, remova a rede filtrante (F). Lavá-los e enxaguá-los e, em seguida, recolocá-los cuidadosamente no suporte do filtro (G).



NOTA

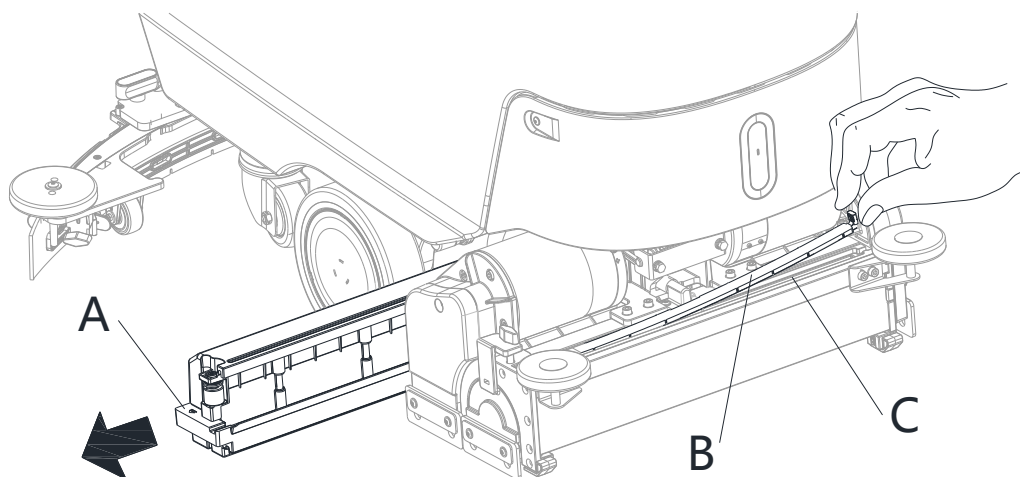
Tenha cuidado para evitar a perda da junta (E) durante a limpeza. Certifique-se de que a junta (E) está instalada na posição correta na tampa do filtro (D).

5. Abrir a válvula (A).



RECIPIENTE DE DETRITOS LIMPO (APENAS PARA CABEÇA DE LAVAGEM COM ESCOVAS CILÍNDRICAS)

1. Leve a máquina para um piso nivelado.
2. Assegure-se de que a máquina está desligada.
3. Puxe a tremonha de detritos (A, Fig. 17) pela lateral, depois limpe com cuidado e reinstale na cabeça. Sugira limpá-lo no final do turno.
4. Puxe a tampa de borracha (B) e limpe a pia (C) para garantir que todos os orifícios não estejam bloqueados. Reinstale a tampa de borracha (B) após a limpeza.



AJUSTE DO RASTREAMENTO DA MÁQUINA (Apenas para a versão com escova de disco única)

O rastreamento da máquina (movimento reto) pode variar de acordo com o tipo de piso a ser limpo e dependendo se a escova ou o lustrador são usados.

Se for difícil manter a máquina em movimento reto, pois ela tende a puxar para a esquerda ou para a direita com a cabeça de lavagem abaixada e durante a limpeza, ajuste o volante (38) girando-o no sentido horário ou anti-horário para corrigir essa tração e obter um movimento geralmente neutro para a frente.

LIMPEZA DO TANQUE DO DETERGENTE

(Unicamente para máquinas com sistema EcoFlex)

Limpe o tanque de detergente (35) da seguinte forma.

1. Leve a máquina para a zona de despejo designada.
2. Assegure-se de que a máquina está desligada.
3. Levante a tampa (2) e verifique se o tanque de recuperação (3) está vazio; caso contrário, esvazie-o através do tubo de esvaziamento (18).
4. Feche a tampa (2).
5. Segure a pega (6) levante o tanque com cuidado (3).
6. Desaparafuse a tampa (A, Fig. 18) do tanque de detergente (B).
7. Remova o reservatório de solução detergente (B).
8. Lave e enxágue o tanque com água limpa na área de despejo designada.
9. Substitua o tanque de detergente (B) como mostrado na figura e, em seguida, recoloque o bujão (A).
10. Quando o tanque de detergente tiver sido drenado, pode ser necessário drenar o sistema EcoFlex também (ver procedimento na secção seguinte).

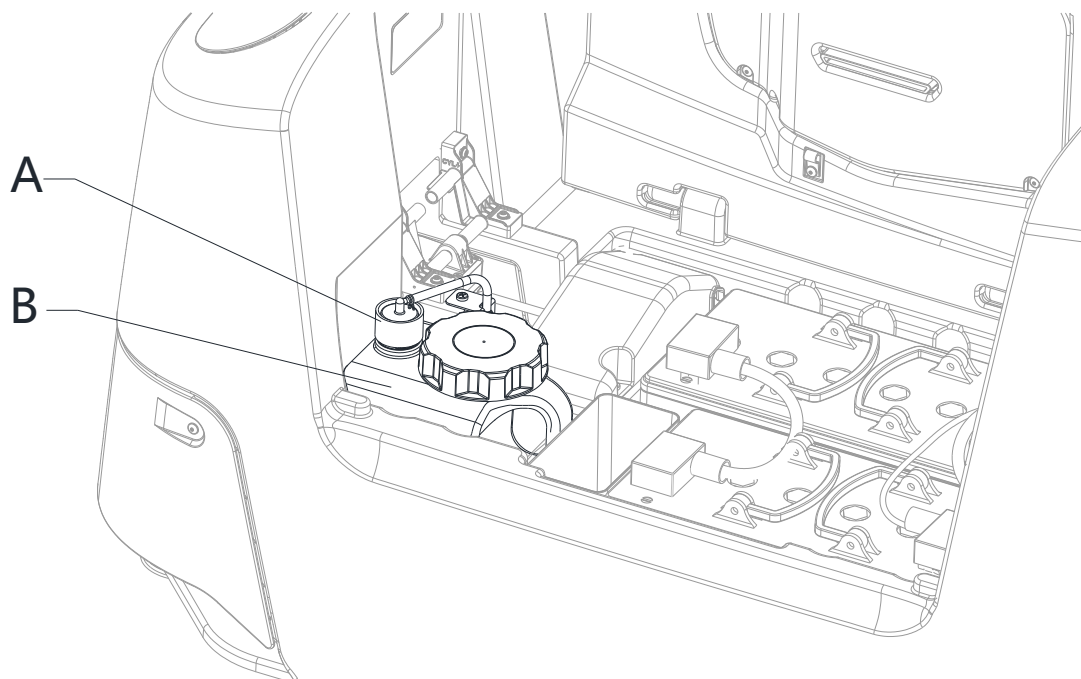


Figura 18

DRENAGEM DO SISTEMA ECOFLEX

(Unicamente para máquinas com sistema EcoFlex)

Limpe o tanque do detergente como indicado na secção anterior.

Para remover o detergente residual das mangueiras de detergente e da bomba, proceda da seguinte forma.

1. Verifique a quantidade de detergente por inspeção visual. Certifique-se de que o tanque está meio cheio de água limpa.
2. Pressione o botão iniciar/parar (62) e digite a senha para iniciar a máquina.



3. Pressione o botão de configuração (68) na interface do menu. Selecione a PURGA DO DETERGENTE na interface de configuração. Conclua o processo de limpeza de acordo com as instruções no ecrã. Quando o programa terminar, este ícone



aparecerá e retornará à interface de configuração após 2 segundos.

4. Desligue a máquina com o botão iniciar/parar (62).
5. Levante o tanque (3) e controle que o tubo do tanque do detergente (35) esteja vazio, caso contrário, repita os pontos 2 a 5.

NOTA



O ciclo de drenagem dura cerca de 30 segundos. A operação de limpeza pode ser executada também com o tanque do detergente (35) cheio de água, obtendo assim uma lavagem profunda do sistema. Aconselha-se realizar a PURGA DO DETERGENTE para limpar o sistema EcoFlex da sujidade e depósitos se a máquina não for utilizada/limpa há muito tempo. A PURGA DE DETERGENTE também pode ser realizada para encher rapidamente a mangueira de abastecimento de detergente quando o tanque (35) estiver cheio, mas o sistema ainda estiver vazio. Se necessário, a PURGA DO DETERGENTE pode ser realizada várias vezes consecutivas.

VERIFICAÇÃO/SUBSTITUIÇÃO DOS FUSÍVEIS

NOTA



Todos os circuitos eléctricos da máquina estão protegidos por dispositivos electrónicos de reposição automática. Os fusíveis de segurança actuam apenas em caso de avaria grave. Recomenda-se portanto que a eventual substituição dos fusíveis seja exclusivamente realizada por pessoal qualificado. Consulte o Manual de assistência disponível nos revendedores Nilfisk.

RESOLUÇÃO DE PROBLEMAS

PROBLEMA	CAUSA POSSÍVEL	SOLUÇÃO
Aspiração da água de recuperação insuficiente.	O tanque de recuperação está cheio.	Esvazie o tanque.
	Grelha de aspiração entupida ou bóia presa no fecho.	Limpe a grelha de aspiração.
	Recipiente do filtro de recolha de detritos entupido.	Limpar.
	O tubo flexível está desligado do limpador.	Conectar.
	Limpador sujo ou lâminas do limpador desgastadas ou danificadas.	Limpe o limpador ou substitua as lâminas.
	A tampa do tanque não foi fechada correctamente ou a junta está estragada.	Feche correctamente a tampa ou limpe/substitua a guarnição.
O fluxo de solução detergente para a escova/porta-filtro é insuficiente.	Tanque da solução detergente vazio.	Encha-o.
	O filtro da solução detergente está sujo.	Limpe o filtro
	Reservatório do sistema EcoFlex (opcional) sujo/incrustado.	Limpe com ciclo de purga.
O limpador risca o pavimento.	Presença de detritos por baixo das lâminas do limpador.	Retire os detritos.
	As lâminas do limpador estão gastas, lascadas ou com lacerações.	Vire ou substitua as lâminas.
	O limpador não está alinhado com o volante.	Regule o limpador.
O visor (52) mostra uma mensagem de alarme do seguinte tipo: Código ALARME DE AVISO	O ecrã irá exibir as possíveis causas.	Opere de acordo com as instruções no ecrã. Desligar e voltar a ligar a máquina. Se o problema persistir, contacte um Centro de assistência autorizado.



NOTA

Se a máquina tiver sido adquirida com um carregador de bateria a bordo, a mesma não pode funcionar sem este dispositivo a bordo. Em caso de defeito no carregador de baterias, contacte um Centro de assistência autorizado.

Para mais informações, contacte os centros de assistência Nilfisk.

ELIMINAÇÃO

Proceda ao depósito da máquina junto de um demolidor autorizado.

Antes de proceder ao depósito da máquina, é necessário remover e separar os seguintes materiais e enviá-los para o sistema de recolha separada em conformidade com a norma ambiental em vigor:

- Baterias
- Escovas
- Tubos e peças em material plástico
- Componentes elétricos e eletrónicos (*)

(*) Em particular, para o depósito das partes elétricas e eletrónicas, dirija-se a um centro da Nilfisk local.

Composição dos materiais da máquina e nível de reciclagem

Tipo	Percentagem reciclável	Peso %			
		Cabeça com escova de disco única	Cabeça REV	Cabeça com escova de disco dupla	Cabeça com escovas cilíndricas
Alumínio	100%	8 %	8 %	8 %	8 %
Motores eléctricos - div.	29%	30 %	35 %	33 %	29 %
Materiais ferrosos	100%	4 %	4 %	4 %	5 %
Feixe de fios	80%	3%	2%	3%	3%
Líquidos	100%	0 %	0 %	0 %	0 %
Plástico - não reciclável	0%	3%	2%	3%	3%
Plástico - reciclável	100%	12 %	11 %	11 %	12 %
Polietileno	92%	37 %	35 %	35 %	37 %
Borracha	20%	2 %	2 %	2 %	2 %

HEAD QUARTER

DENMARK

Nilfisk A/S
Tel.: (+45) 4323 8100
www.nilfisk.com

SALES COMPANIES

ARGENTINA

Nilfisk Argentina
Tel.: (+54) 11 6091 1576
www.nilfisk.com.ar

AUSTRALIA

Nilfisk Pty Ltd
Tel.: (+61) 2 98348100
www.nilfisk.com.au

AUSTRIA

Nilfisk GmbH
Tel.: (+43) 662 456 400 90
www.nilfisk.at

BELGIUM

Nilfisk n.v-s.a.
Tel.: (+32) 24 67 60 50
www.nilfisk.be

BRAZIL

Nilfisk do Brasil
Tel.: (+11) 3959-0300 / 3945-4744
www.nilfisk.com.br

CANADA

Nilfisk Canada Company
Tel.: (+1) 800-668-8400
www.nilfisk.ca

CHILE

Nilfisk S.A. (Comercial KCS Ltda)
Tel.: (+56) 2684 5000
www.nilfisk.cl

CHINA

Nilfisk
Tel.: (+86) 21 3323 2000
www.nilfisk.cn

CZECH REPUBLIC

Nilfisk s.r.o.
Tel.: (+420) 244 090 912
www.nilfisk.cz

DENMARK

Nilfisk Danmark A/S
Tel.: 72 18 21 20
www.nilfisk.dk

FINLAND

Nilfisk Oy Ab
Tel.: (+358) 207 890 600
www.nilfisk.fi

FRANCE

Nilfisk SAS
Tel.: (+33) 169 59 87 00
www.nilfisk.fr

GERMANY

Nilfisk GmbH
Tel.: (+49) (0)7306/72-444
www.nilfisk.de

GREECE

Nilfisk A.E.
Tel.: (30) 210 9119 600
www.nilfisk.gr

HOLLAND

Nilfisk B.V.
Tel.: (+31) 036 5460760
www.nilfisk.nl

HONG KONG

Nilfisk Ltd.
Tel.: (+852) 2427 5951
www.nilfisk.com

HUNGARY

Nilfisk Kft.
Tel.: (+36) 24 475 550
www.nilfisk.hu

INDIA

Nilfisk India Limited
Tel.: (+91) 22 6118 8188
www.nilfisk.in

IRELAND

Nilfisk
Tel.: (+35) 3 12 94 38 38
www.nilfisk.ie

ITALY

Nilfisk SpA
Tel.: (+39) (0) 377 414021
www.nilfisk.it

JAPAN

Nilfisk Inc.
Tel.: (+81) 45548 2571
www.nilfisk.com

MALAYSIA

Nilfisk Sdn Bhd
Tel.: (60) 3603 627 43 120
www.nilfisk.com

MEXICO

Nilfisk de Mexico, S. de R.L. de C.V.
Tel.: (+52) (442) 427 77 00
www.nilfisk.com

NEW ZEALAND

Nilfisk Limited
Tel.: (+64) 9 414 1996
www.nilfisk.com

NORWAY

Nilfisk AS
Tel.: (+47) 22 75 17 80
www.nilfisk.no

PERU

Nilfisk S.A.C.
Tel.: (511) 435-6840
www.nilfisk.com

POLAND

Nilfisk Sp. Z.O.O.
Tel.: (+48) 22 738 3750
www.nilfisk.pl

PORTUGAL

Nilfisk Lda.
Tel.: (+351) 21 911 2670
www.nilfisk.pt

SINGAPORE

Den-Sin
Tel.: (+65) 6268 1006
www.densin.com

SLOVAKIA

Nilfisk s.r.o.
Tel.: (+421) 910 222 928
www.nilfisk.sk

SOUTH AFRICA

Nilfisk (Pty) Ltd
Tel.: +271 18014600
www.nilfisk.co.za

SOUTH KOREA

Nilfisk Korea
Tel.: (+ 82) 2 3474 4141
www.nilfisk.co.kr

SPAIN

Nilfisk S.A.
Tel.: (34) 93 741 2400
www.nilfisk.es

SWEDEN

Nilfisk AB
Tel.: (+46) 31 706 73 00
www.nilfisk.se

SWITZERLAND

Nilfisk AG
Tel.: (+41) 71 92 38 444
www.nilfisk.ch

TAIWAN

Nilfisk Ltd
Tel.: (+88) 6227 00 22 68
www.nilfisk.tw

THAILAND

Nilfisk Co. Ltd.
Tel.: (+66) 2275 5630
www.nilfisk.co.th

TURKEY

Nilfisk A.S.
Tel.: +90 216 466 94 94
www.nilfisk.com.tr

UNITED ARAB EMIRATES

Nilfisk Middle East Branch
Tel.: (+971) (0) 655-78813
www.nilfisk.com

UNITED KINGDOM

Nilfisk Ltd.
Tel.: (+44) (0) 1768 868995
www.nilfisk.co.uk

UNITED STATES

Nilfisk, Inc.
Tel.: (+1) 800-989-2235
www.nilfisk.com

VIETNAM

Nilfisk Vietnam
Tel.: (+84) 761 5642
www.nilfisk.com

NILFISK