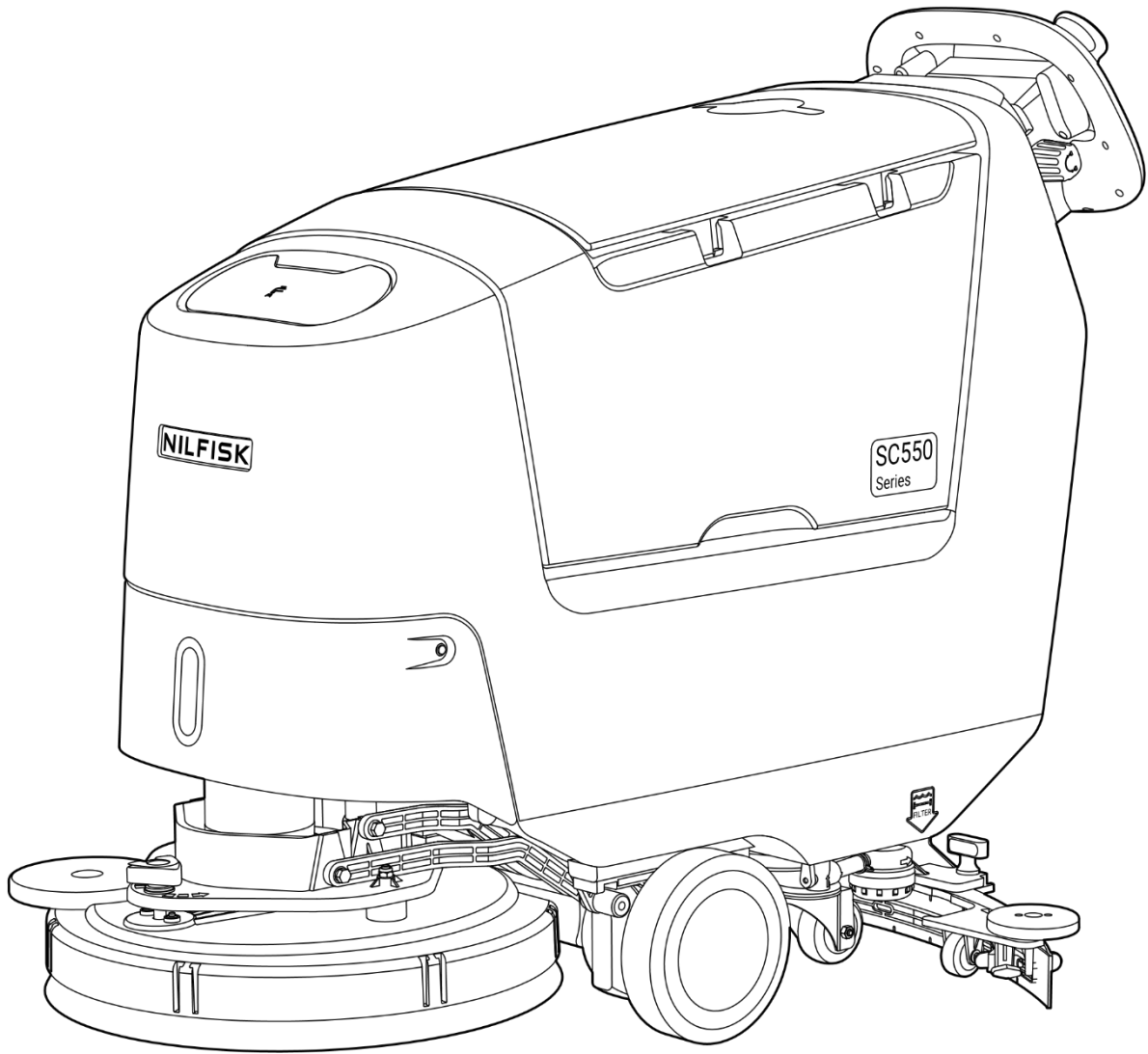


PARTS LIST

SC550 Series

55944901 (09.2024)



Models No.:

50000666, 50000667, 50000668, 50000669

50000656, 50000658, 50000651, 50000655

50000670, 50000671, 50000672, 50000673



NILFISK

TABLE OF CONTENTS

GENERAL VIEW.....	2
SOLUTION TANK SYSTEM	4
FILLING SYSTEM.....	6
FRONT PANEL SYSTEM	7
RECOVERY TANK SYSTEM	8
MOTOR DRIVE SYSTEM.....	10
SINGLE DISC DECK LIFTING SYSTEM	11
REV DECK LIFTING SYSTEM.....	12
DUAL DISC DECK LIFTING SYSTEM	13
CYL DECK LIFTING ASSEMBLY.....	14
WATER FLOW SYSTEM.....	15
STEERING AND UI MODUL SYSTEM	16
REAR WHEELS SYSTEM.....	18
29 INCH SQUEEGEE SYSTEM	20
32 INCH SQUEEGEE SYSTEM	22
SINGLE DISC DECK SYSTEM	24
REV DECK SYSTEM.....	26
DUAL DISC DECK SYSTEM	28
CYL DECK SYSTEM -1	30
CYL DECK SYSTEM -2.....	32
ELECTRICAL COMPONENTS SYSTEM.....	34
LI-ION CHARGER SYSTEM	36
LI-ION BATTERY SYSTEM (24V 64Ah)	37
LI-ION BATTERY SYSTEM (24V 50Ah).....	38
ECOFLEX SYSTEM	39
SPLASH GUARD. MOP . TRASH . CADDY . SCREEN PROTECTOR.....	40
CONNECTIVITY DEVICE AND FOB MODULE	41
BRUSHES AND PAD (SINGLE DISC DECK AND REV DECK)	42
BRUSHES AND PAD (DUAL DISC DECK AND CYL DECK)	44
WIRING DIAGRAM LI-ION	46
RECOMMENDED PARTS	50

WHEN ORDERING PARTS

- Use the part numbers from the “REF. NO.” columns in this parts list. If the “REF. NO.” column is blank; look under the “KIT” column to identify which kit contains the part in question, then use the kitcallout, for example “K1”, to find the “REF. NO.” for that kit.
- Specify the model number and serial number of the machine.
- Use the space below to record the model number and serial number for future reference.

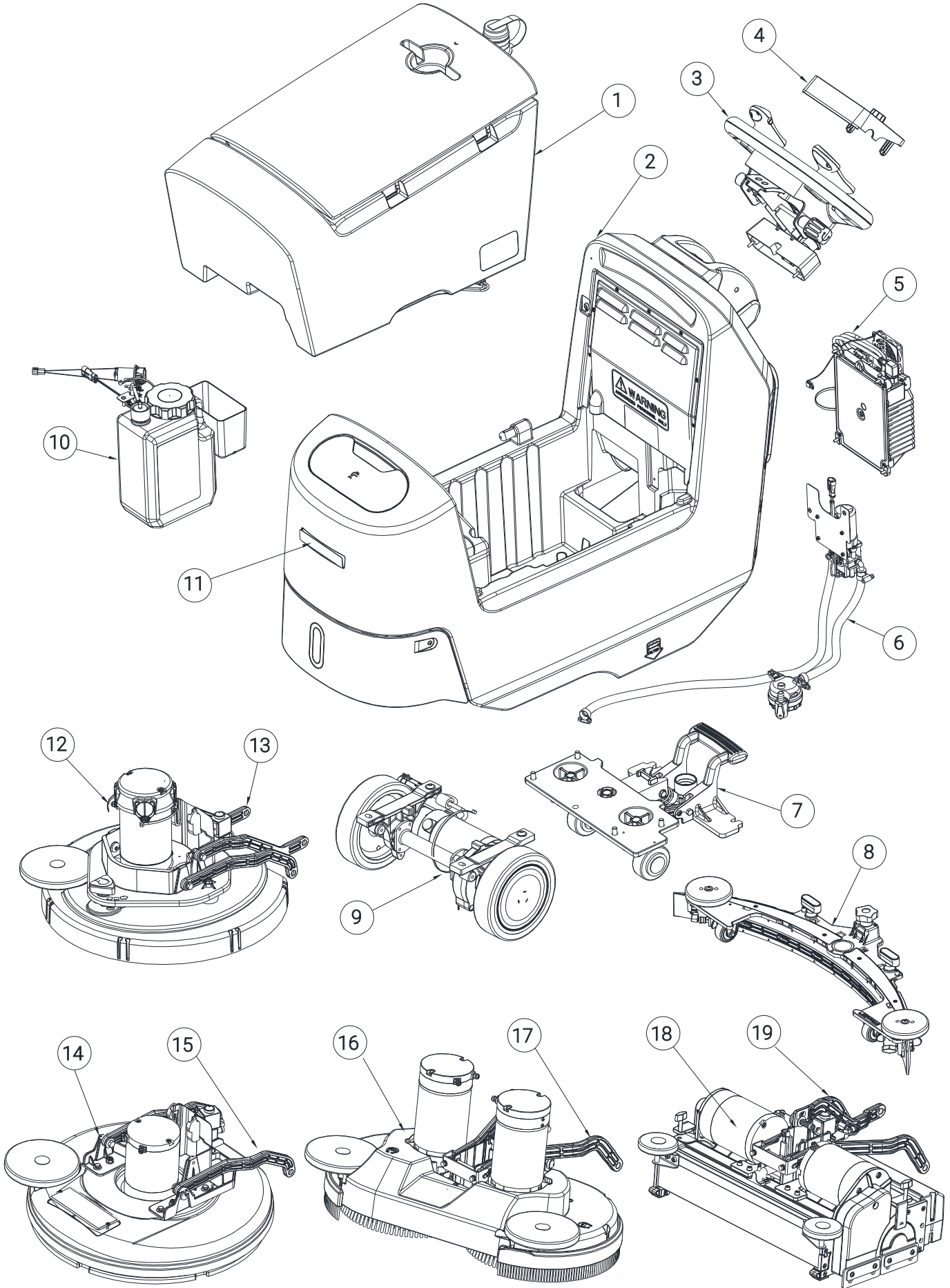
Model No.: Serial No.:

* = Optional

= Modified item No. or New item No.

[] = Not shown

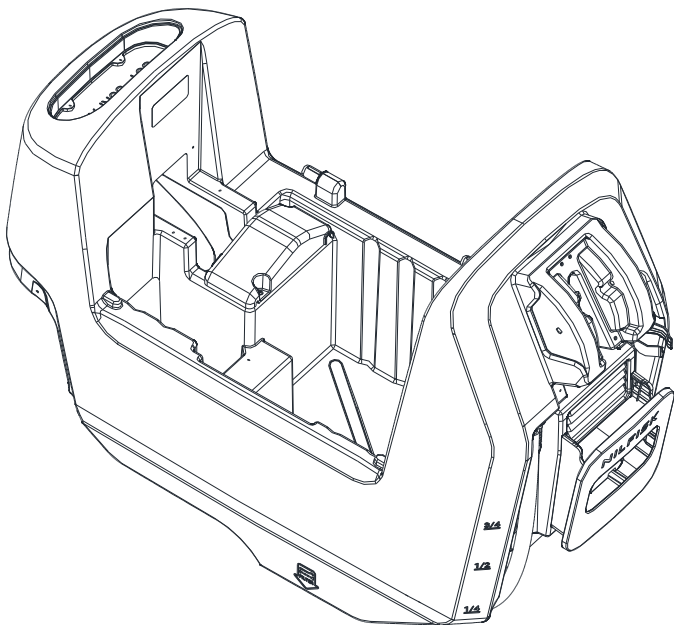
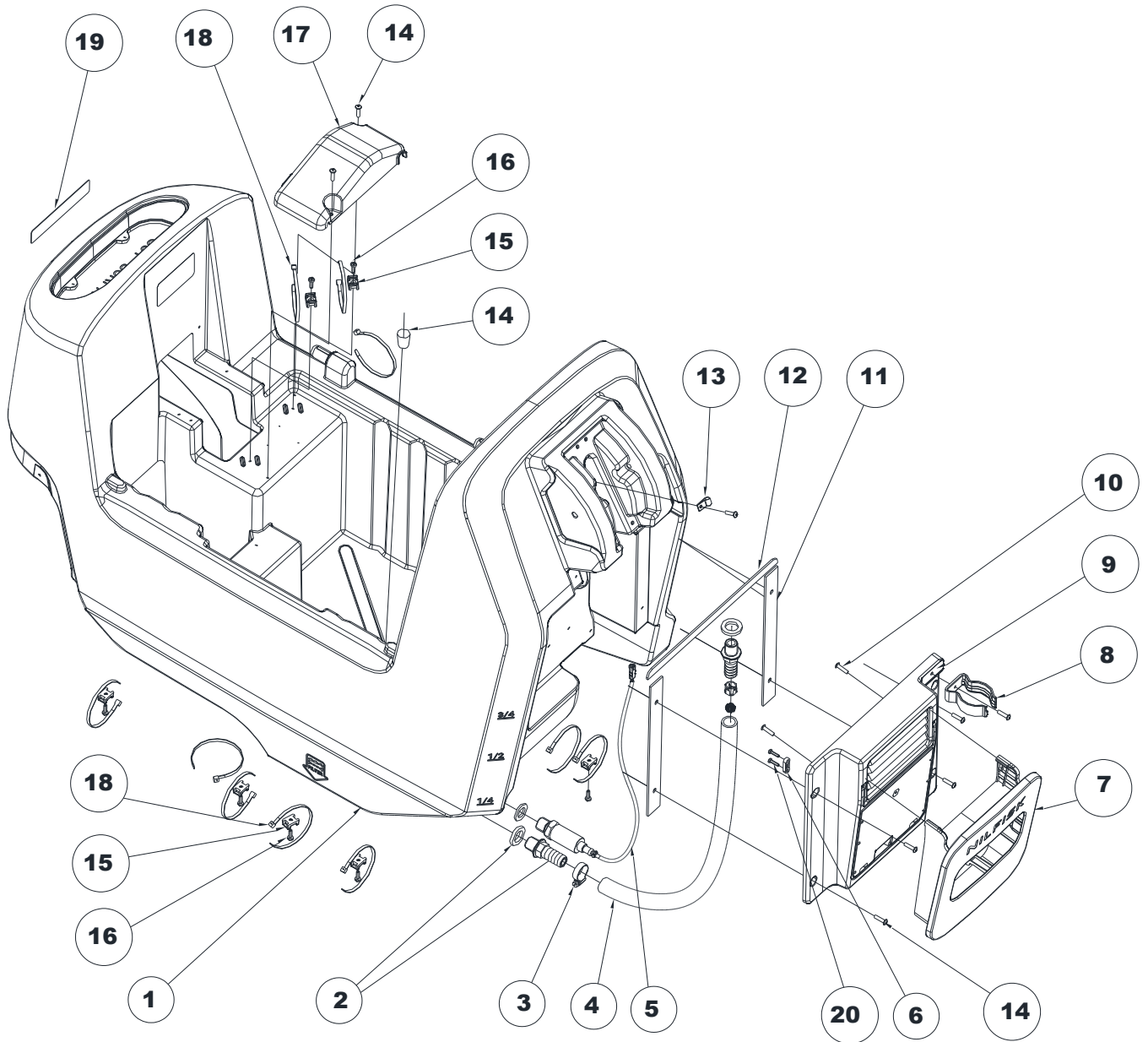
GENERAL VIEW



GENERAL VIEW

KIT	ITEM	REF. NO.	QTY	DESCRIPTION	NOTE
	1		1	TANK RECOVERY ASSEMBLY	
	2		1	TANK SOLUTION ASSEMBLY	
	3		1	STEERING ASSEMBLY	
	4		1	UI MODUL ASSEMBLY	
	5		1	CHARGER BATTERY ASSEMBLY	
	6		1	SYSTEM SOLUTION ASSEMBLY	
	7		1	WHEELS REAR-SQUEEGEE ASSEMBLY	
	8		1	SQUEEGEE 730MM/29 ASSEMBLY	
	8		1	SQUEEGEE 810MM/32 ASSEMBLY	
	9		1	MOTOR DRIVE ASSEMBLY	
	10		1	ECOFLEX ASSEMBLY	
	11	55944839	1	DECALS NILFISK KIT	
	12		1	SINGLE DISC DECK ASSEMBLY	
	13		1	SINGLE DISC DECK LIFTING ASSEMBLY	
	14		1	REV DECK ASSEMBLY	
	15		1	REV DECK LIFTING ASSEMBLY	
	16		1	DUAL DISC DECK ASSEMBLY	
	17		1	DUAL DISC DECK LIFTING ASSEMBLY	
	18		1	CYL DECK ASSEMBLY	
	19		1	CYL DECK LIFTING ASSEMBLY	

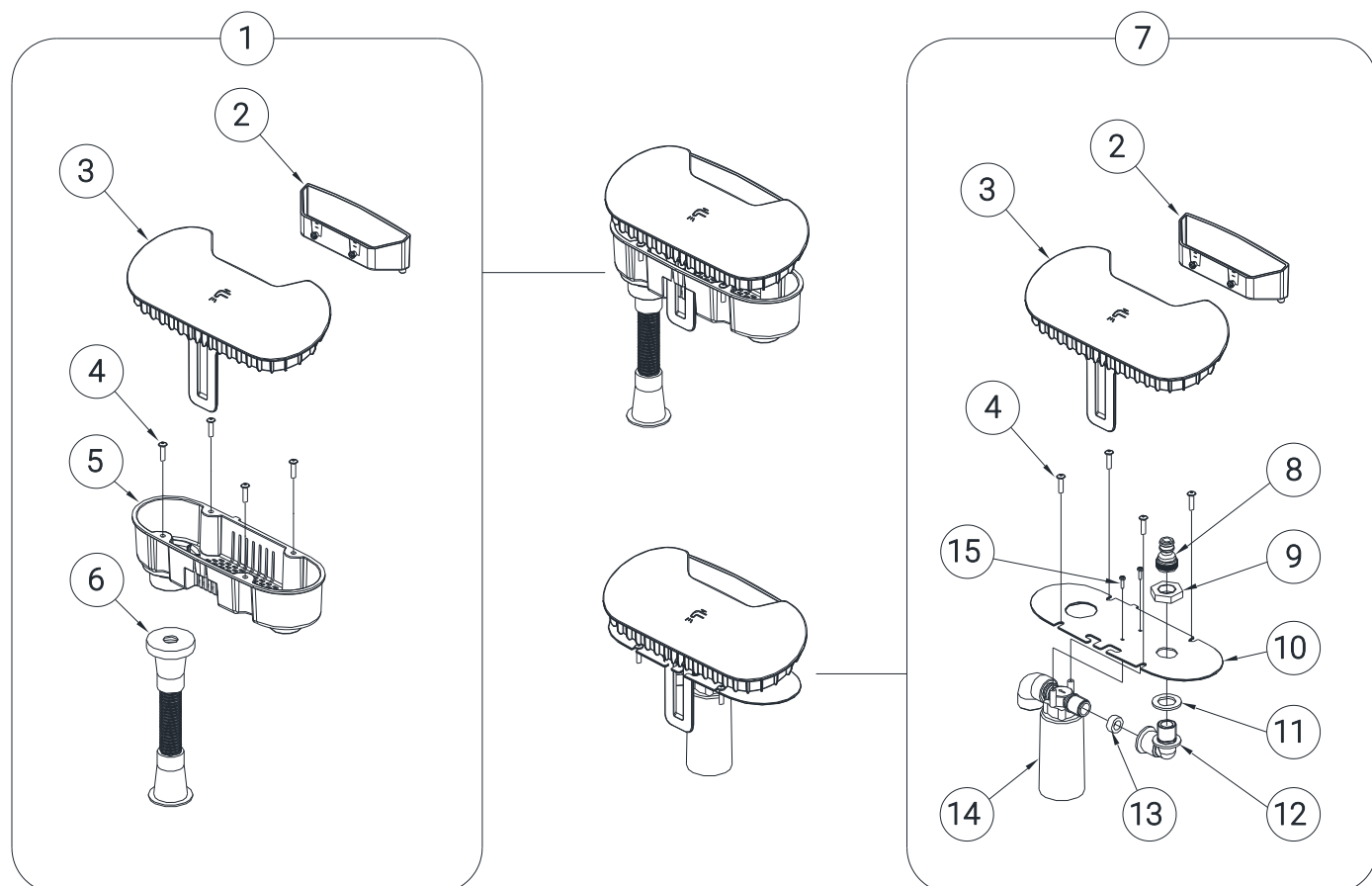
SOLUTION TANK SYSTEM



SOLUTION TANK SYSTEM

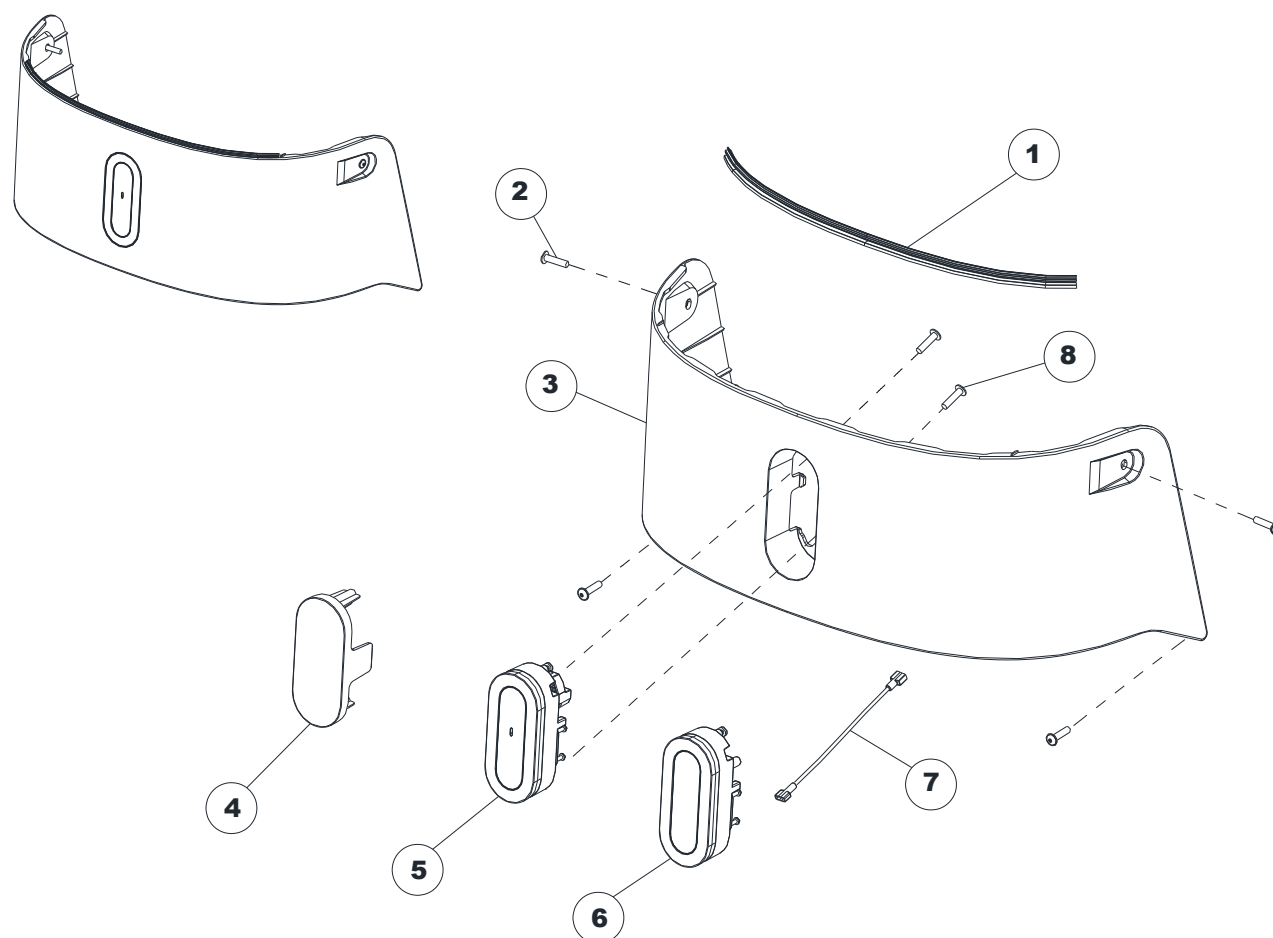
KIT	ITEM	REF. NO.	QTY	DESCRIPTION	NOTE
	1	55944907	1	SOLUTION TANK 50 L SIP	
	2	9100000574	2	FITTING STRAIGHT G1/2 D.20 KIT	
K2	3		1	HOSE CLAMP-SPRING INSERT-16/27	
	4	55944908	1	HOSE FRESH WATER LEV. W/CAP KIT	
	5	55944909	1	SENSOR WATER LEVEL SIP	
K2	6		1	ANTI STRAIN CLIP	
	7	55944910	1	BOX F CHARGER CABLE SIP	
	8	909 6380 000	1	CLAMP KIT	
	9	55944911	1	COVER CHARGER SIP	
K2	10		10	SCREW M5X20 WN1451 BLACK ZN	
K1	11		2	GASKET SIDE CHARGER COVER	
K1	12		1	GASKET UPPER CHARGER COVER	
K2	13		1	CLAMP CABLE BLACK	
K2	14		1	CAP BLACK	
K2	15		9	HOLDER.FLAT TIE	
K2	16		9	SCREW 5X16 PAN PHIL W/O BIT F PLASTIC	
	17	9100000809	1	COVER DETERGENT MIX PUMP SIP	
K2	18		14	TIE CABLE 4.8X250 BLACK	
	19	55944839	1	DECALS NILFISK KIT	
K2	20		2	SCREW 4X16 SELF PAN HD TORX F PLASTIC	
	[K1]	55944913	1	GASKETS COVER KIT	
	[K2]	55944914	1	HARDWARE SOLUTION TANK KIT	

FILLING SYSTEM



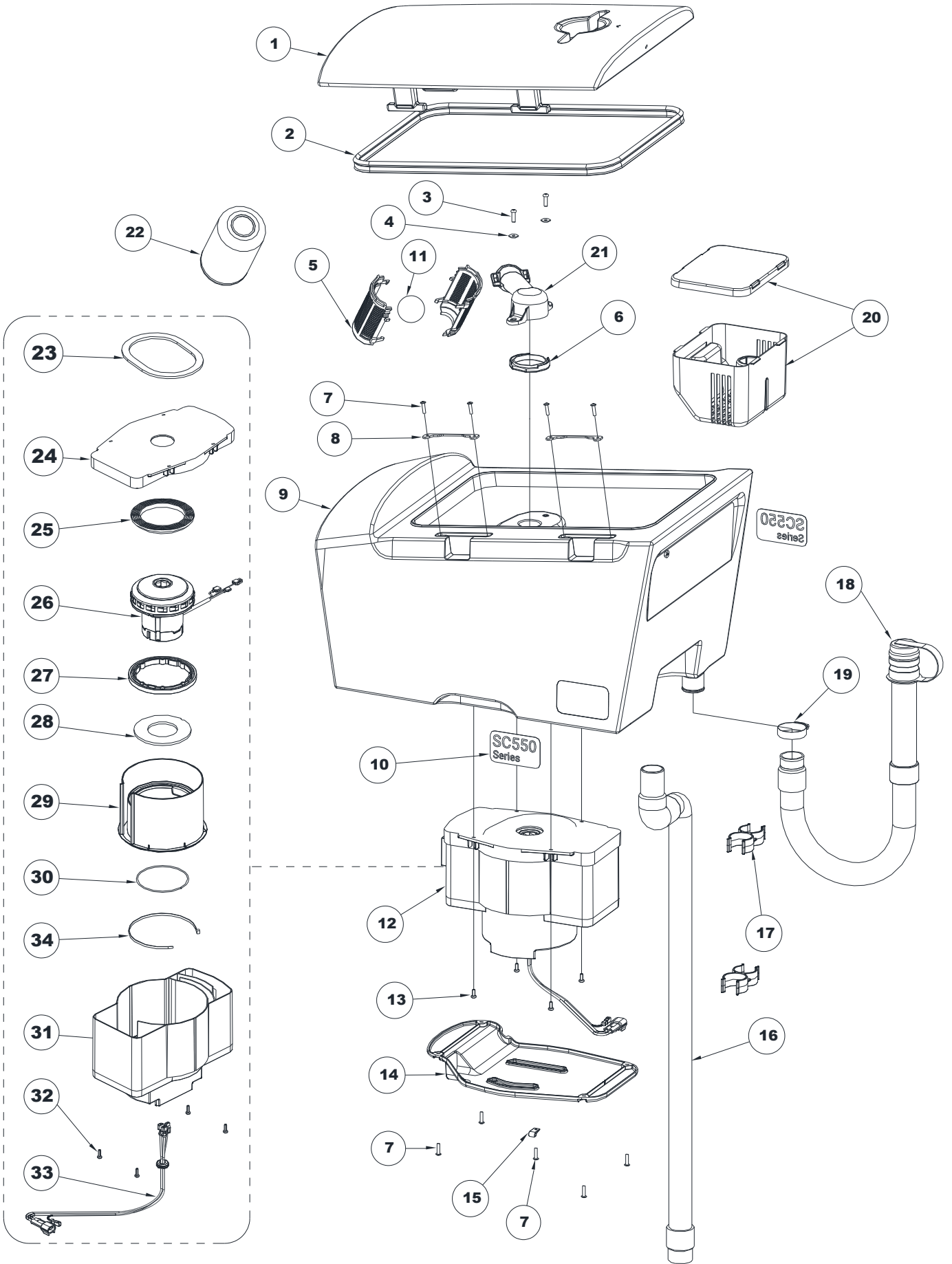
KIT	ITEM	REF. NO.	QTY	DESCRIPTION	NOTE
	1*	55944915	1	STANDARD FILLING KIT	
K1	2		1	COVER INLET INDICATOR	
K1	3		1	COVER INLET	
K2	4		1	SCREW 5X20	
	5	55944916	1	FILTER WATER INLET SIP	
	6	55944917	1	HOSE FILLING SIP	
	7*	55944918	1	ADVANCED FILLING KIT	
K2	8		1	FITTING QUICK 1/2 GAS	
K2	9		1	NUT G 1/2 DIN 431 A SS	
K2	10		1	SUPPORT WATER INLET	
K2	11		1	GASKET RUBBER D.21x33x2.5 BLACK	
K2	12	9100000894	1	ELBOW CURVED M/F PKD	
K2	13	9100000622	1	GASKET RUBBER D.11.5X19 H8 BLACK PKD	
	14	9100000897	1	VALVE WATER STOP PKD	
K2	15		2	SCREW 3X12 PAN PHIL W/O BIT F PLASTIC	
	[K1]	55944920	1	COVER INLET KIT	
	[K2]	55944921	1	HARDWARE FILLING KIT	

FRONT PANEL SYSTEM



KIT	ITEM	REF. NO.	QTY	DESCRIPTION	NOTE
	1	55944922	1	RUBBER FRONT PANEL SIP	
	2	9100002437	1	SCREW 5X20 TORX ISO7380-2 10 PCS SET	
	3	55944923	1	PANEL FRONT SIP	
K1	4		1	COVER DECORATING F FRONT PANEL	
K2	5		1	FRONT LIGHT W LASER	
K3	6		1	FRONT LIGHT	
K2/K3	7		1	HARNESS FRONT LIGHT SIP	
K1/K2/K3	8		2	SCREW 4X16 SELF PAN HD TORX F PLASTIC	
	[K1]*	55944924	1	COVER DECORATING F FRONT PANEL KIT	
	[K2]*	55944925	1	FRONT LIGHT W LASER KIT	
	[K3]*	55944926	1	FRONT LIGHT KIT	

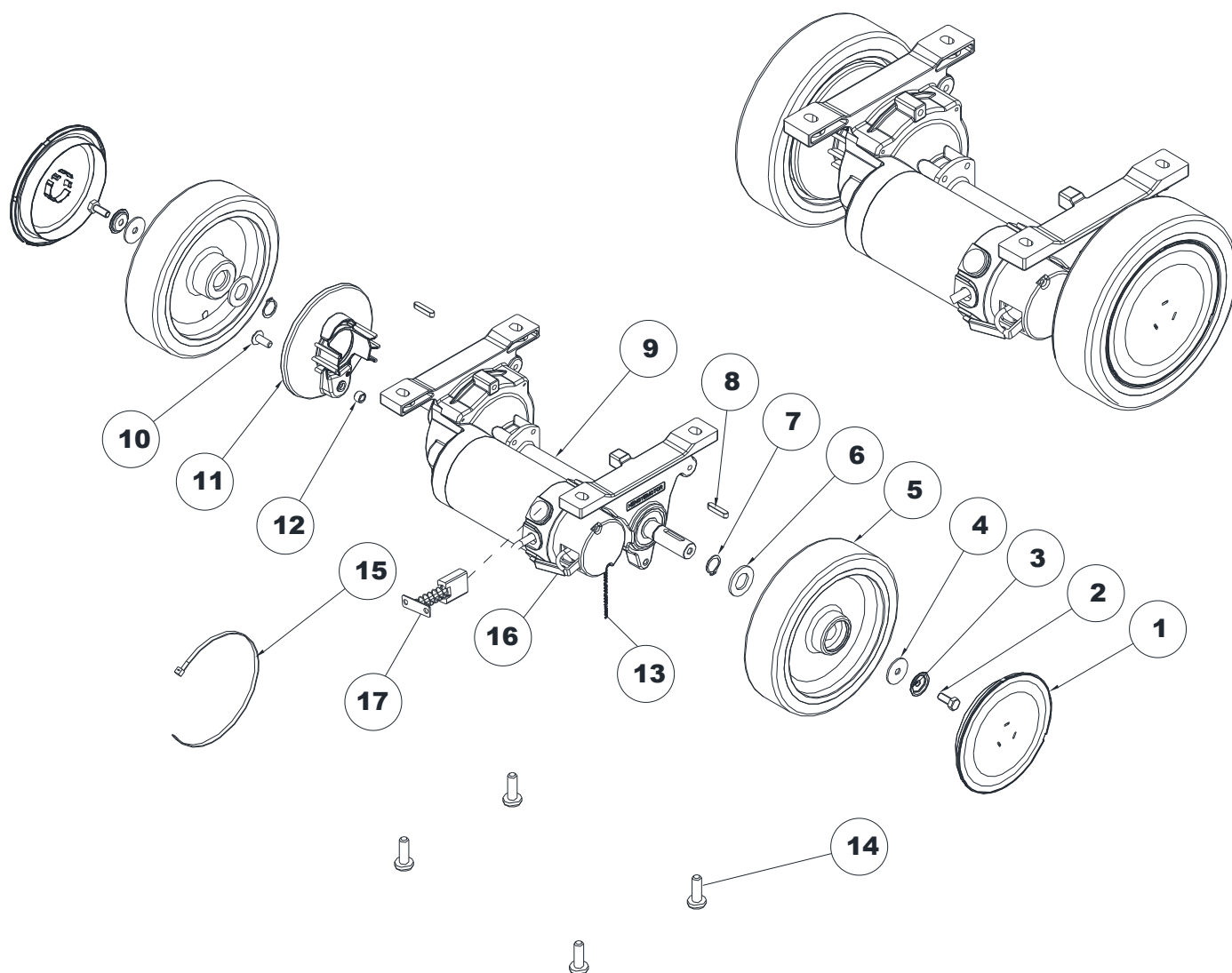
RECOVERY TANK SYSTEM



RECOVERY TANK SYSTEM

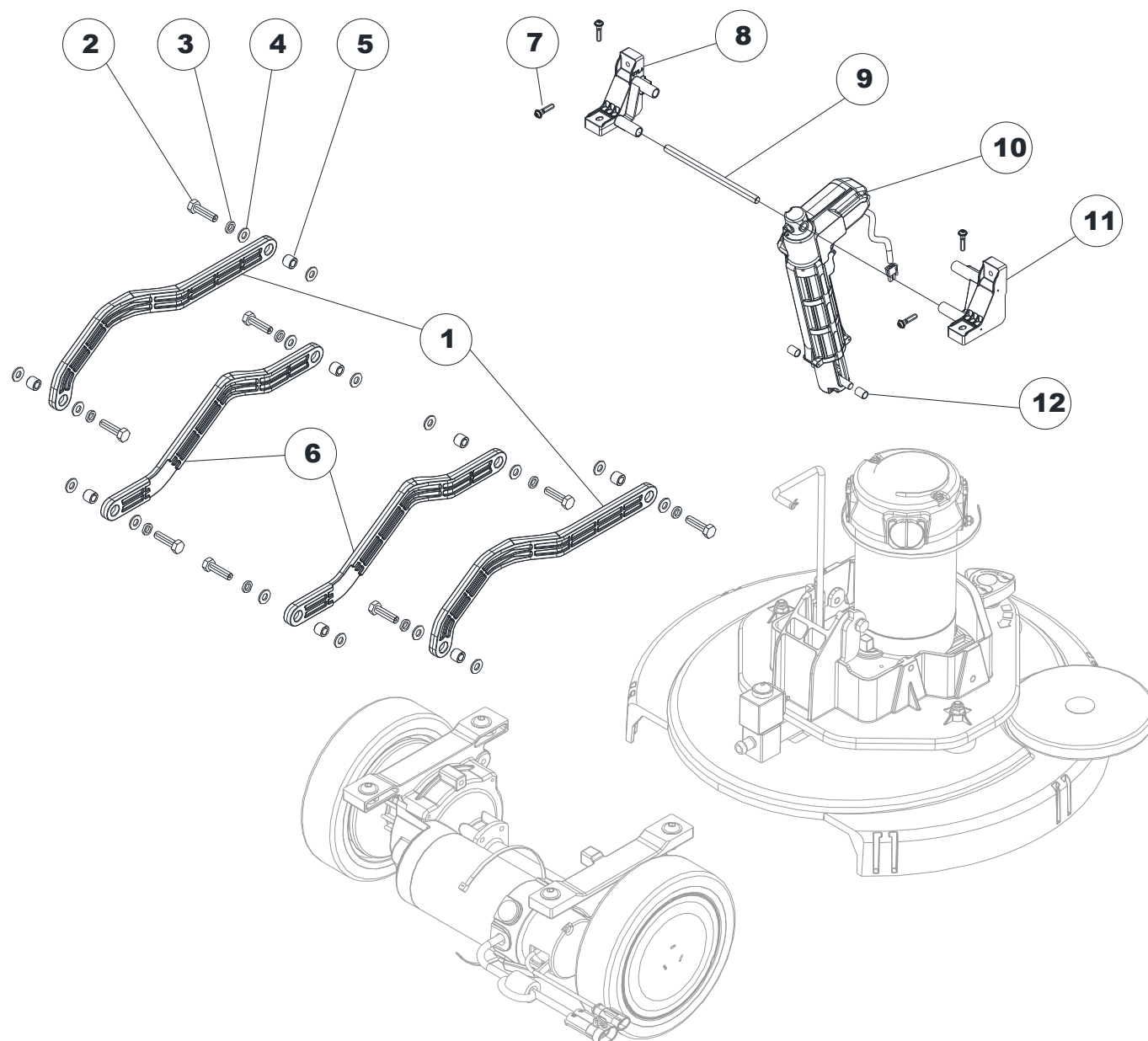
KIT	ITEM	REF. NO.	QTY	DESCRIPTION	NOTE
	1	55944927	1	RECOVERY LID SIP	
	2	9100000819	1	GASKET BULB RUBBER L.1670MM SIP	
K1	3		2	SCREW M6X16 UNI7687 SS	
K1	4		2	WASHER 6X18X1.5 UNI6593 SS	
	5	9100000818	1	CAGE FLOAT HALF 2 PCS SET	
K1	6	9100000928	1	GASKET FLOAT SUPPORT SIP	
	7	9100002437	1	SCREW 5X20 TORX ISO7380-2 10 PCS SET	
	8	9100002985	1	PLATE HINGE LOCATOR KIT	
	9	55944928	1	RECOVERY TANK 50 L SIP	
	10	55944839	1	DECALS NILFISK KIT	
	11	9100000817	1	BALL FLOATING SIP	
	12	55944930	1	MOTOR VACUUM KIT	
K2	13		4	SCREW M5X12 PAN HD PHIL ISO7045	
	14	9100000815	1	COVER F VACUUM MOTOR SOUNDPR. SIP	
K2	15		1	CLAMP CABLE BLACK	
	16	55944931	1	HOSE SUCTION SQUEEGEE 90 BLACK SIP	
	17	9100000889	1	CLIP HOSE STOPPING 2 PCS SET	
	18	55944932	1	HOSE DRAIN BLACK SIP	
K2	19	9100001348	1	CLAMP 14/32-52	
	20	55944933	1	TRAY DEBRIS KIT	
K1	21		1	CAGE FLOAT	
	22*	909 5065 000	1	FILTER ANTIFOAMING	
K2	23		1	GASKET VACUUM MOTOR	
	24	9100000824	1	SUPP. UPPER F VAC. MOTOR SOUNDPR. SIP	
K2	25		1	MOTOR SEALING - LOWER	
	26	55944934	1	VACUUM MOTOR BLDC 24V 350W SIP	
K2	27		1	RUBBER SEALING UPPER	
K2	28		1	GASKET COLLECTOR	
	29	9100000822	1	SUPPORT INT. INSULATION VAC. MOTOR SIP	
K2	30		1	O-RING 2.5X109 EPDM	
	31	9100000821	1	SUPPORT EXT. INSULATION VAC. MOTOR SIP	
K2	32		4	SCREW 5X16 PAN PHIL W/O BIT F PLASTIC	
	33	55944935	1	HARNESS VACUUM MOTOR SIP	
K2	34		1	TIE CABLE 4.8X430 WHITE	
	[K1]	9100001875	1	SUPPORT FLOAT KIT	
	[K2]	55944936	1	GASKETS AND HARDWARE KIT	

MOTOR DRIVE SYSTEM



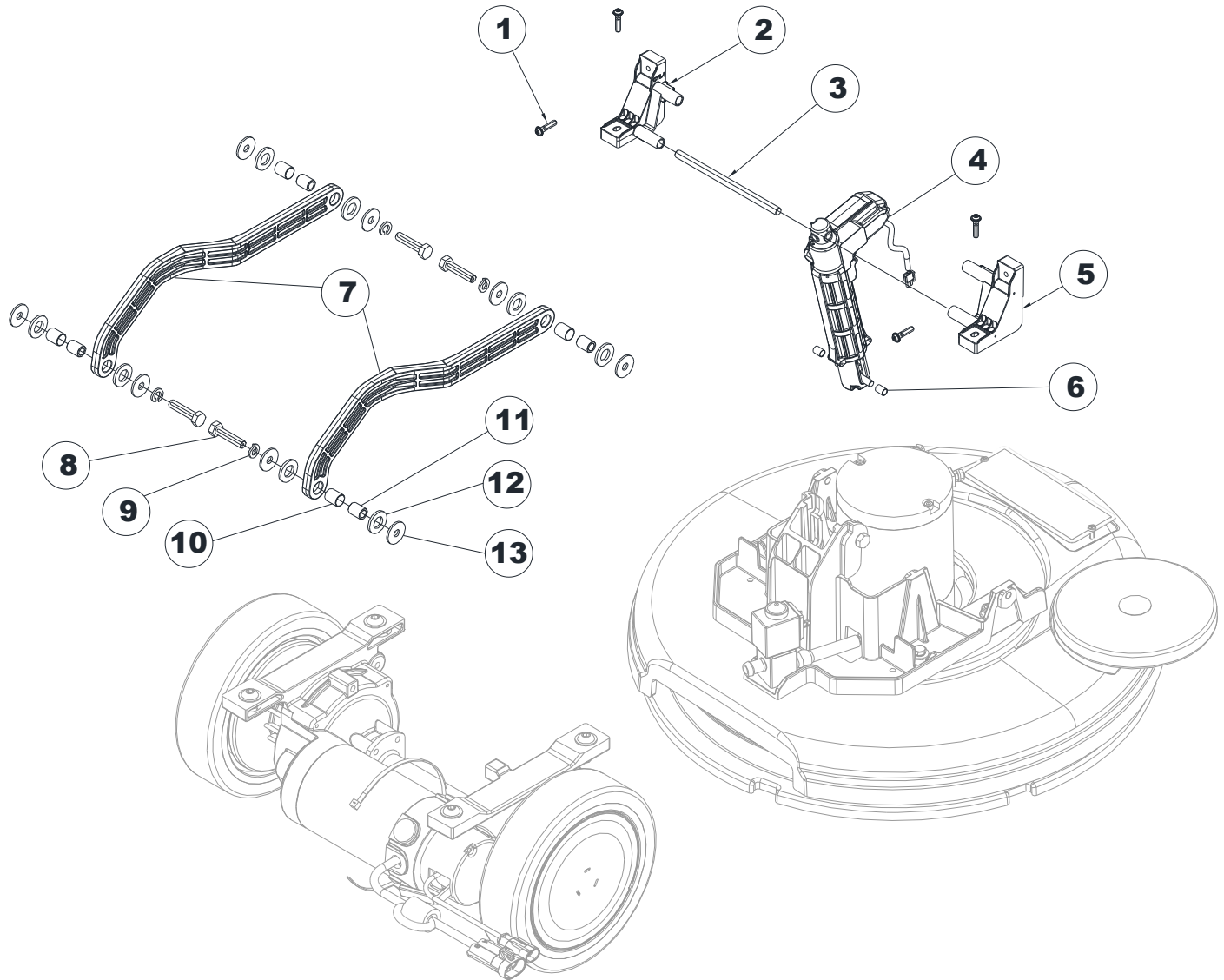
KIT	ITEM	REF. NO.	QTY	DESCRIPTION	NOTE
	1	55944937	1	COVER WHEEL 2 PCS SET	
K2	2		2	SCREW M8X20 HEX HD F/THD SS ISO4017	
K2	3		2	FLANGE M8	
K2	4		2	WASHER PLAIN M8X32X2 SS ISO7093	
	5	9100002455	2	WHEEL TRACTION D.200X50 BLACK/GREY SIP	
K2	6		2	WASHER PLAIN M20X37 ISO7089	
K2	7		2	SHAFT RING D.20	
	8	9100001156	1	KEY JOINT 6X30 UNI6604A 10 PCS SET	
	9	55944938	1	TRACTION MOTOR 24V 200W KIT	
K1	10		1	SCREW M8X20 BUTTON HD HEX FLA ISO7380-2	
K1	11		1	COVER WHEEL PLASTIC	
K1	12		1	BUSHING D.8.1X12X7.3 GALV.	
	13	9100002418	1	CHAIN ANTISTATIC KIT	
K2	14		4	SCREW M10X25 BUTT HD FLA 10.9 ISO7380-2	
K2	15		1	TIE CABLE 4.8X430 WHITE	
	16	55944939	1	ELECTROMAGNETIC BRAKE SIP	
	17	55944940	1	CARBON BRUSHES KIT 4 PCS	
[K1]		9100002594	1	CARTER WHEEL PLASTIC KIT	
[K2]		55944941	1	HARDWARE MOTOR DRIVE SYSTEM KIT	

SINGLE DISC DECK LIFTING SYSTEM



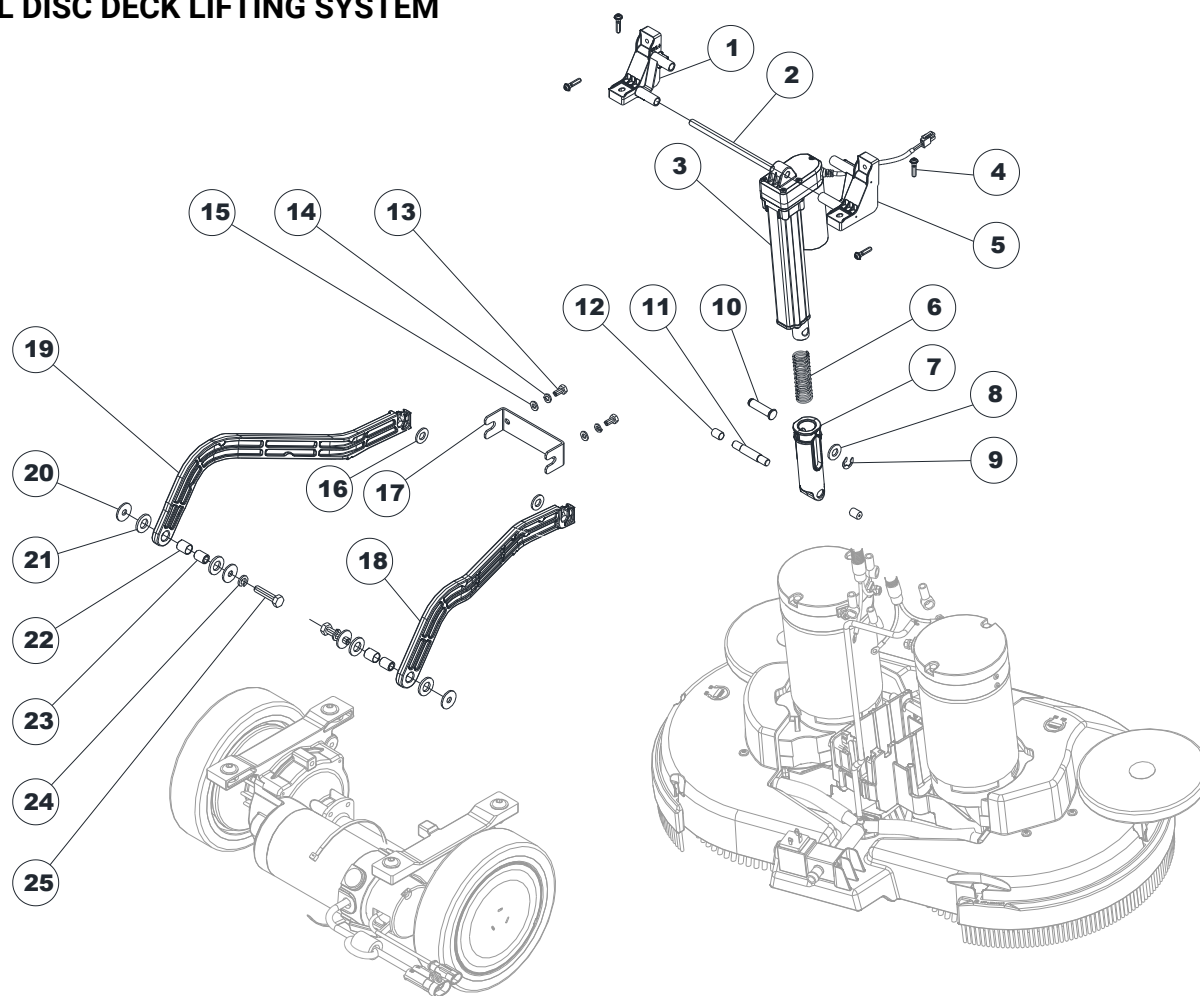
KIT	ITEM	REF. NO.	QTY	DESCRIPTION	NOTE
	1	9100000825	1	LEVER EXT. FOR DECK LIFTING 2 PCS SET	
K2	2		8	SCREW M8X30 HEX HD F/THD ISO4017	
K2	3		8	WASHER SELF BLOCK DISK M8 DIN25201	
K2	4		16	WASHER PLAIN 8 ISO 7089	
K2	5		8	SPACER D.8.1X13 H.10.3 GALV.	
	6	9100000826	1	LEVER INT. FOR DECK LIFTING 2 PCS SET	FOR SINGLE DISC VERSION
K1	7		4	SCREW 5X22 SELF PAN HD TORX F PLAST.	
K1	8		1	SHAFT HOLDER F ACTUATOR LT	
K1	9		1	PIN CYLINDR. D.8X140 ISO2338	
	10	9100000805	1	ACTUATOR LINEAR 24V DC STRK 120MM SIP	FOR SINGLE DISC VERSION
K1	11		1	SHAFT HOLDER F ACTUATOR RT	
	12	9100002105	1	CAP D.9 PLASTIC 10 PCS SET	
	[K1]	55944942	1	SHAFT HOLDER F ACTUATOR KIT	
	[K2]	55944943	1	HARDWARE BRUSH DECK LIFTING KIT	

REV DECK LIFTING SYSTEM



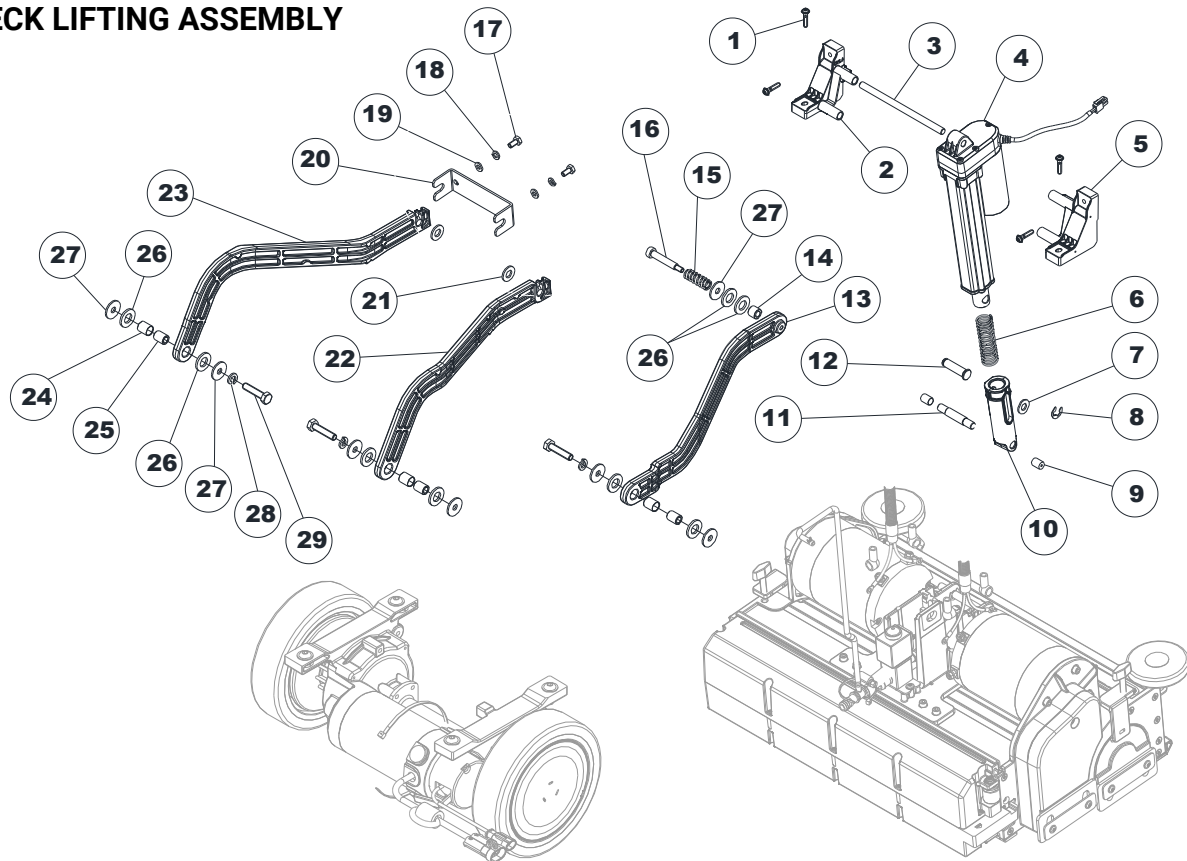
KIT	ITEM	REF. NO.	QTY	DESCRIPTION	NOTE
K1	1		4	SCREW 5X22 SELF PAN HD TORX F PLAST.	
K1	2		1	SHAFT HOLDER F ACTUATOR LT	
K1	3		1	PIN CYLINDR. D.8X140 ISO2338	
	4	9100000806	1	ACTUATOR LINEAR 24V DC STRK 98MM SIP	FOR REV VERSION
K1	5		1	SHAFT HOLDER F ACTUATOR RT	
	6	9100002105	1	CAP D.9 PLASTIC 10 PCS SET	
	7	9100000825	1	LEVER EXT. FOR DECK LIFTING 2 PCS SET	
K2	8		4	SCREW M8x35 HEX HD F/THD ISO4017	
K2	9		4	WASHER SPRING LOCK M8 DIN127-B	
K2	10		4	BEARING SLEEVE IGLIDUR GSM-1213-15	
K2	11		4	SPACER 8.1X12 H.15.3 GALV.	
K2	12		8	WASHER PLAIN M12X24 NYLON ISO7089	
K2	13		8	WASHER PLAIN M8X24X2 ISO7093	
	[k1]	55944942	1	SHAFT HOLDER F ACTUATOR KIT	
	[k2]	55944944	1	HARDWARE BRUSH LIFTING KIT	

DUAL DISC DECK LIFTING SYSTEM



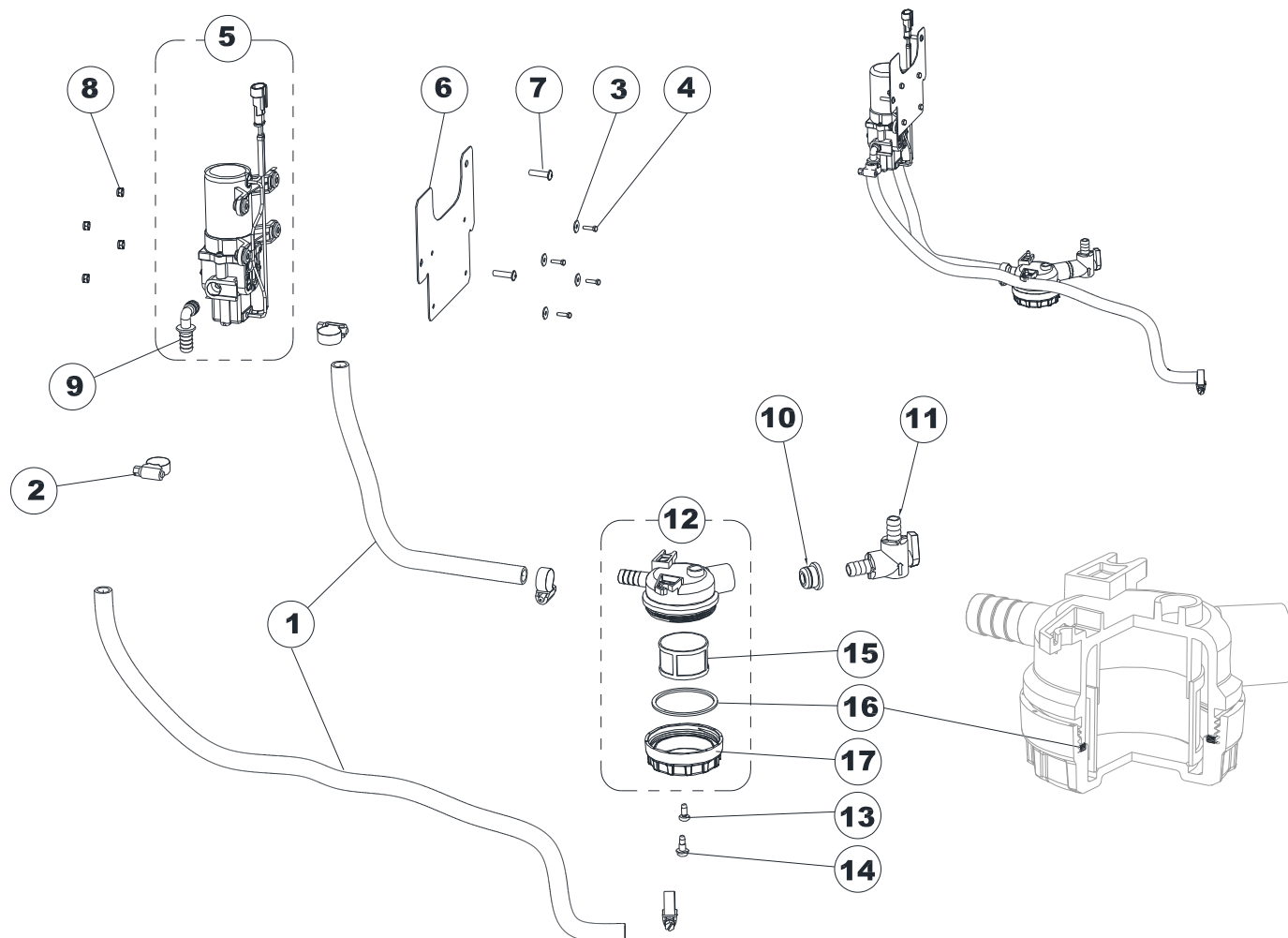
KIT	ITEM	REF. NO.	QTY	DESCRIPTION	NOTE
K1	1		1	SHAFT HOLDER F ACTUATOR LT	
K1	2		1	PIN CYLINDR. D.8X140 ISO2338	
	3	55944945	1	ACTUATOR 24V 550N 105MM SIP	FOR DUAL DISC AND CYL
K1	4		4	SCREW 5X22 SELF PAN HD TORX F PLAST.	
K1	5		1	SHAFT HOLDER F ACTUATOR RT	
	6	55944946	1	SPRING COMP 19.8MM-70MM SIP	
	7	55944947	1	ACTUATOR CONNECTOR SIP	
K2	8		1	WASHER PLAIN M10X20 ISO7089	
K2	9		1	E-RING ETW-9	
K2	10		1	PIN D.10X39 MM	
K2	11		1	PIN D.10X57	
	12	55944948	1	CAP D. 10MM PLASTIC 10 PCS SET	
K4	13		2	SCREW M6X12 HEX HD F/THD ISO4017	
K4	14		2	WASHER SPRING LOCK M6 DIN127-B	
K4	15		2	WASHER PLAIN M6X12 ISO7089	
K4	16		2	WASHER NYLON 10.5x20x2	
K4	17		1	LEVER CONNECT	
	18	55944949	1	LEVER RT F DECK LIFTING SIP	
	19	55944950	1	LEVER LT F DECK LIFTING SIP	
K3	20		4	WASHER PLAIN M8X24X2 ISO7093	
K3	21		4	WASHER PLAIN M12X24 NYLON ISO7089	
K3	22		2	BEARING SLEEVE IGLIDUR GSM-1213-15	
K3	23		2	SPACER 8.1X12 H.15.3 GALV.	
K3	24		2	WASHER SPRING LOCK M8 DIN127-B	
K3	25		2	SCREW M8x35 HEX HD F/THD ISO4017	
	[K1]	55944942	1	SHAFT HOLDER F ACTUATOR KIT	
	[K2]	55944951	1	HARDWARE ACTUATOR CONNECTOR KIT	
	[K3]	55944944	1	HARDWARE BRUSH LIFTING KIT	
	[K4]	55944952	1	LEVER CONNECT KIT	

CYL DECK LIFTING ASSEMBLY



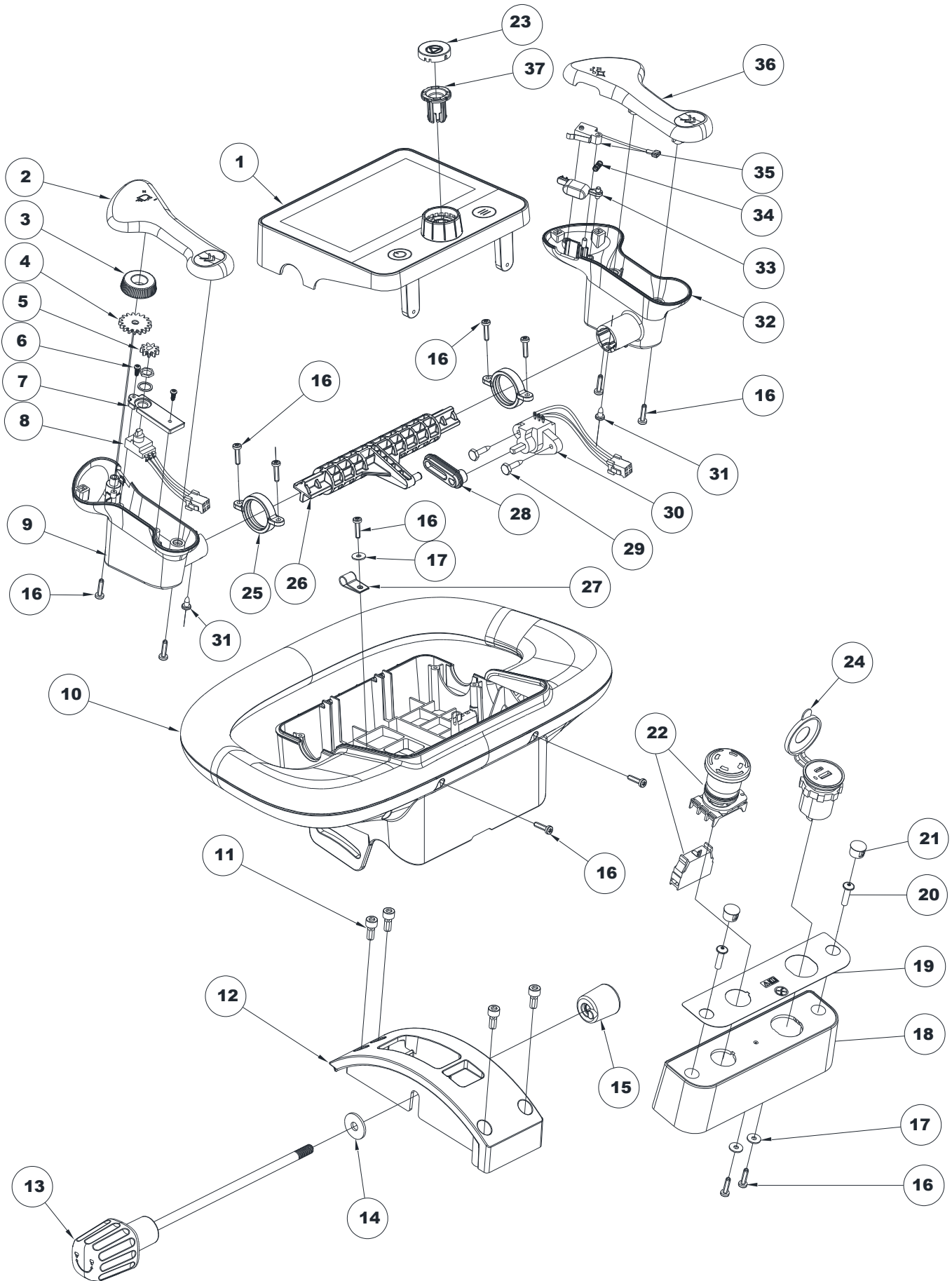
KIT	ITEM	REF. NO.	QTY	DESCRIPTION	NOTE
K1	1		4	SCREW 5X22 SELF PAN HD TORX F PLAST.	
K1	2		1	SHAFT HOLDER F ACTUATOR LT	
K1	3		1	PIN CYLINDR. D.8X140 ISO2338	
	4	55944945	1	ACTUATOR 24V 550N 105MM SIP	FOR DUAL DISC AND CYL
K1	5		1	SHAFT HOLDER F ACTUATOR RT	
	6	55944946	1	SPRING COMP 19.8MM-70MM SIP	
K2	7		1	WASHER PLAIN M10X20 ISO7089	
K2	8		1	E-RING ETW-9	
	9	55944948	1	CAP D. 10MM PLASTIC 10 PCS SET	
	10	55944947	1	ACTUATOR CONNECTOR SIP	
K2	11		1	PIN D.10X57	
K2	12		1	PIN D.10X39 MM	
	13	55944953	1	LEVER RT. FOR CYL DECK LIFTING SIP	
K3	14		1	SPACER D.8. 1X13 H.10.8	
K3	15		1	SPRING COMP 13MM-35MM	
K3	16		1	SCREW SHOUL 8X40 M6 GEOMET 321A ISO7379	
K4	17		2	SCREW M6X12 HEX HD F/THD ISO4017	
K4	18		2	WASHER SPRING LOCK M6 DIN127-B	
K4	19		2	WASHER PLAIN M6X12 ISO7089	
K4	20		1	LEVER CONNECT	
K4	21		2	WASHER NYLON 10.5x20x2	
	22	55944949	1	LEVER RT F DECK LIFTING SIP	
	23	55944950	1	LEVER LT F DECK LIFTING SIP	
K5	24		3	BEARING SLEEVE IGLIDUR GSM-1213-15	
K5	25		3	SPACER 8.1X12 H.15.3 GALV.	
K3/K5	26		8	WASHER PLAIN M12X24 NYLON ISO7089	
K3/K5	27		7	WASHER PLAIN M8X24X2 ISO7093	
K5	28		3	WASHER SPRING LOCK M8 DIN127-B	
K5	29		3	SCREW M8x35 HEX HD F/THD ISO4017	
	[K1]	55944942	1	SHAFT HOLDER F ACTUATOR KIT	
	[K2]	55944951	1	HARDWARE ACTUATOR CONNECTOR KIT	
	[K3]	55944954	1	HARDWARE CYL DECK LIFTING KIT	
	[K4]	55944952	1	LEVER CONNECT KIT	
	[K5]	55944944	1	HARDWARE BRUSH LIFTING KIT	

WATER FLOW SYSTEM



KIT	ITEM	REF. NO.	QTY	DESCRIPTION	NOTE
	1	55944955	1	HOSES SOLUTION KIT	
K1	2		4	CLAMP HOSE D.12-22	
K1	3		4	WASHER PLAIN M4X12 ISO7093	
K1	4		4	SCREW M4x20 HEX HD F/THD ISO4017	
	5	55944956	1	SOLUTION PUMP 24V 3.8L/MIN 40PSI SIP	
	6	55944957	1	SUPPORT PUMP SIP	
K1	7		2	SCREW M5X20 WN1451 BLACK ZN	
K1	8		4	NUT LOCK HEX M4 LOW SS ISO10511	
	9	55944958	1	WATER PIPE JOINT 2 PCS SET	
	10	55944959	1	GASKET RUBBER F BARB HOSE D.10 2 PCS SET	
	11	9100000803	1	VALVE ELBOW SIP	
	12	55944960	1	FILTER KIT	
K1	13		1	SCREW M5X12 DIN 7500C A2K TX25 TAPTITE	
K1	14		1	TAPT SCREW M5X14.5 DIN7500 PWH T25 SS	
	15	9100000861	1	NET WATER FILTER REINFORCED SIP	
K2	16		1	GASKET	
K2	17		1	COVER F FILTER	
	[K1]	55944962	1	HARDWARE WATER FLOW SYSTEM KIT	
	[K2]	55944961	1	COVER AND GASKET KIT	

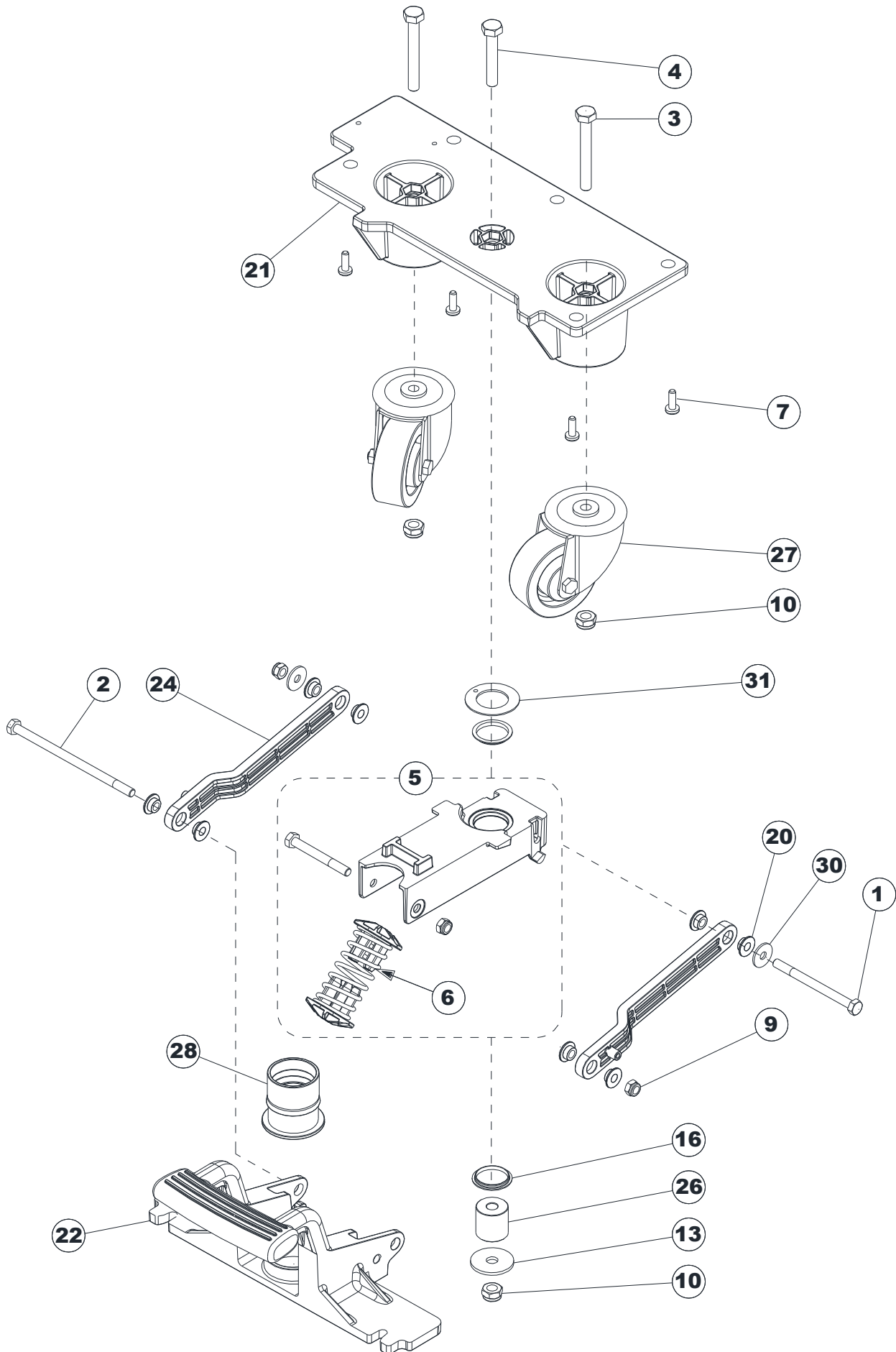
STEERING AND UI MODUL SYSTEM



STEERING AND UI MODUL SYSTEM

KIT	ITEM	REF. NO.	QTY	DESCRIPTION	NOTE
	1	55944963	1	UI MODUL SIP	
K1	2		1	PADDLE COVER LT	
K1	3		1	DIAL SPEED ADJUST	
K1	4		1	IDLE GEAR	
K1	5		1	DRIVEN GEAR	
K1	6		2	SCR-TORX SELF THD M3X8 PLASTIC	
K1	7		1	HOLD POTENTIOMETER	
K1	8		1	POTENTIOMETER ASSEMBLY	
K1	9		1	PADDLE SUPPORT LT	
	10	55944964	1	HANDLEBAR SIP	
K3	11		4	SCREW M6X14 CAP HD HEX SOCK SS ISO4762	
	12	55944965	1	GUIDE RAIL SIP	
K5	13		1	KNOB F STEERING ADJUST	
K5	14		1	WASHER	
K5	15		1	NUT LOCKING	
K1/K2K3	16		13	SCREW 4X16 SELF PAN HD TORX F PLASTIC	
K3	17		3	WASHER PLAIN M4X12 ISO7093	
K4	18		1	COVER ELECTRIC BUTTON	
K4	19		1	DECAL F ELECTRIC BUTTON COVER	
K4	20		2	SCREW M5X20 WN1451 BLACK ZN	
K4	21		2	PLUG DOME PLASTIC BLACK D.14.7	
	22	55944966	1	SWITCH EMERGENCY KIT	
K7	23		1	COVER DIAL	
	24	55944967	1	USB PORT SIP	
K6	25		2	SUPPORT F LEVER CONNECTION SHAFT	
K6	26		1	SHAFT LEVERS CONNECTION	
K3	27		1	CLAMP CABLE BLACK	
K6	28		1	ROD POTENTIOMETER	
K3	29		2	SCREW 4.2X19 SELF HEX HD W/WASH ISO10510	
	30	9100000837	1	POTENTIOMETER 5K SIP	
K3	31		2	SCREW 4.2X9.5 SELF PAN HD PHIL ISO7049	
K2	32		1	PADDLE SUPPORT RT	
K2	33		1	BUTTON BURST OF POWER	
K2	34		1	SPRING COMP 4.8MM-11MM	
K2	35		1	MICROSWITCH ASSEMBLY	
K2	36		1	PADDLE COVER RT	
K7	37		1	HOLDER DIAL	
	[K1]	55944968	1	PADDLE F SPEED CONTROL DIAL KIT	
	[K2]	55944969	1	PADDLE F BURST OF POWER BUTTON KIT	
	[K3]	55944970	1	STEERING SYSTEM FIXING KIT	
	[K4]	55944971	1	COVER ELECTRIC BUTTON KIT	
	[K5]	55944972	1	KNOB F STEERING ADJUST KIT	
	[K6]	55944973	1	SHAFT LEVERS CONNECTION KIT	
	[K7]	55944974	1	COVER DIAL KIT	

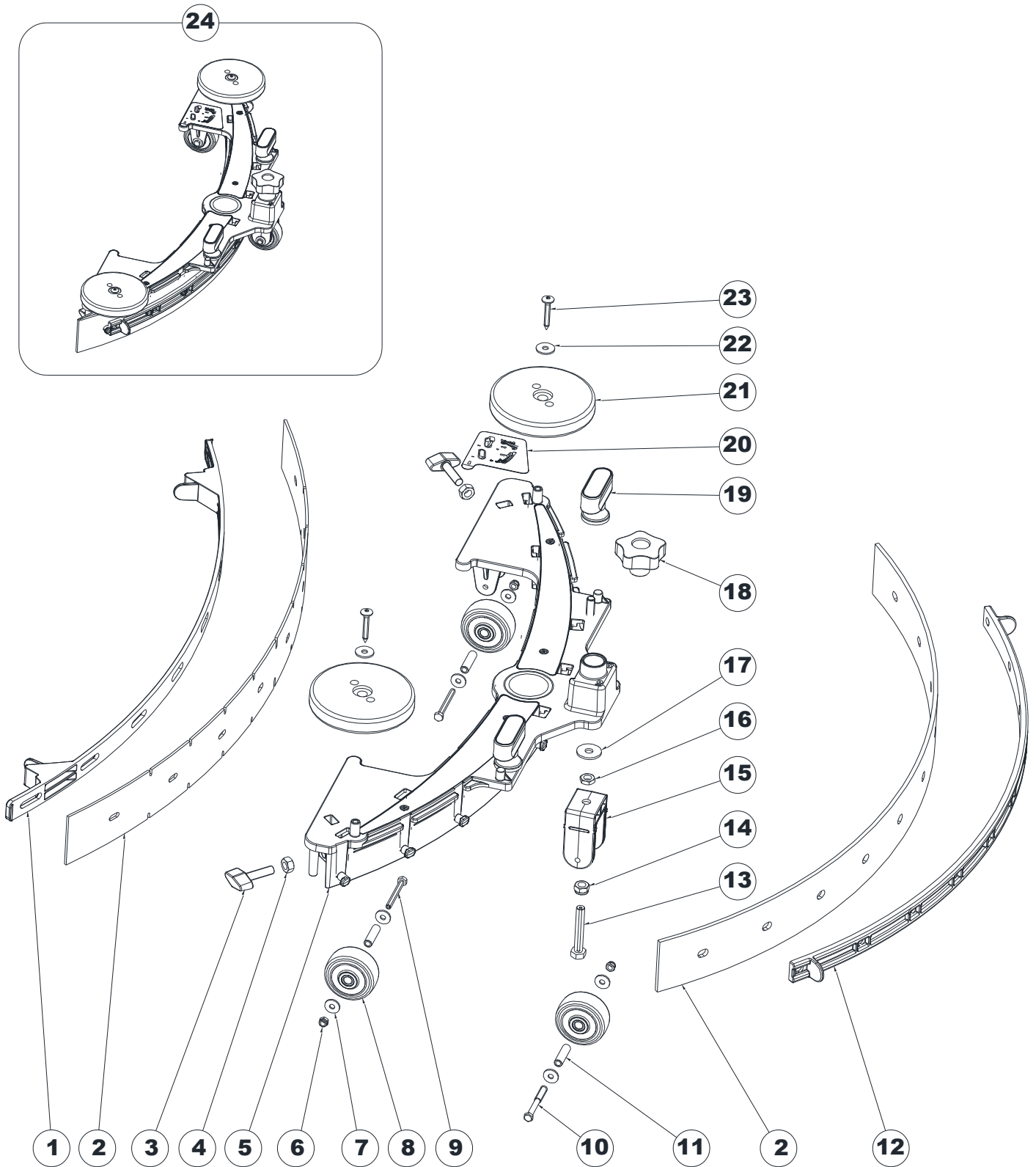
REAR WHEELS SYSTEM



REAR WHEELS SYSTEM

KIT	ITEM	REF. NO.	QTY	DESCRIPTION	NOTE
K1	1		1	SCREW M8X100 UNI5737	
K1	2		1	SCREW M8X140 HEX HD ISO4014	
K1	3		2	SCREW M10X80 UNI5739	
K1	4		1	SCREW M10X60 UNI5739	
	5	9100002400	1	SUPPORT UPPER F SQUEEGEE KIT	(9100002404) INSTALLATION INSTRUCTIONS
	6	9100002401	1	SPRING WITH TERMINALS KIT	
K1	7		4	SCREW M10X25 BUTT HD FLA 10.9 ISO7380-2	
K1	9		2	NUT SELF L. M8 UNI7474	
K1	10		3	NUT SELF L. M10 UNI7474	
K1	13		1	WASHER 10X40X2.5 UNI6593	
K1	16	9100000902	2	BEARING FLANGE IGLIDUR 2 PCS SET	
K1	20		8	BUSHING FLANGED	
	21	9100000851	1	SUPPORT REAR WHEELS-SQUEEGEE SIP	
	22	9100000853	1	SUPPORT LOWER F SQUEEGEE SIP	
	24	9100000854	1	LEVER SQUEEGEE LIFT 2 PCS SET	
K1	26		1	SPACER 10.5X30X30.3	
	27	9100000856	1	WHEEL PIVOTING 2 PCS SET	
	28	9100002396	1	SLEEVE RUBBER BLACK F SUCTION HOSE SIP	
K1	30		2	WASHER 8X24X2 FLAT ISO7093	
K1	31	9100000903	1	WASHER THRUST GTM 3254-015 SIP	
	[K1]	9100000746	1	SUPPORT SQUEEGEE FIXING KIT	

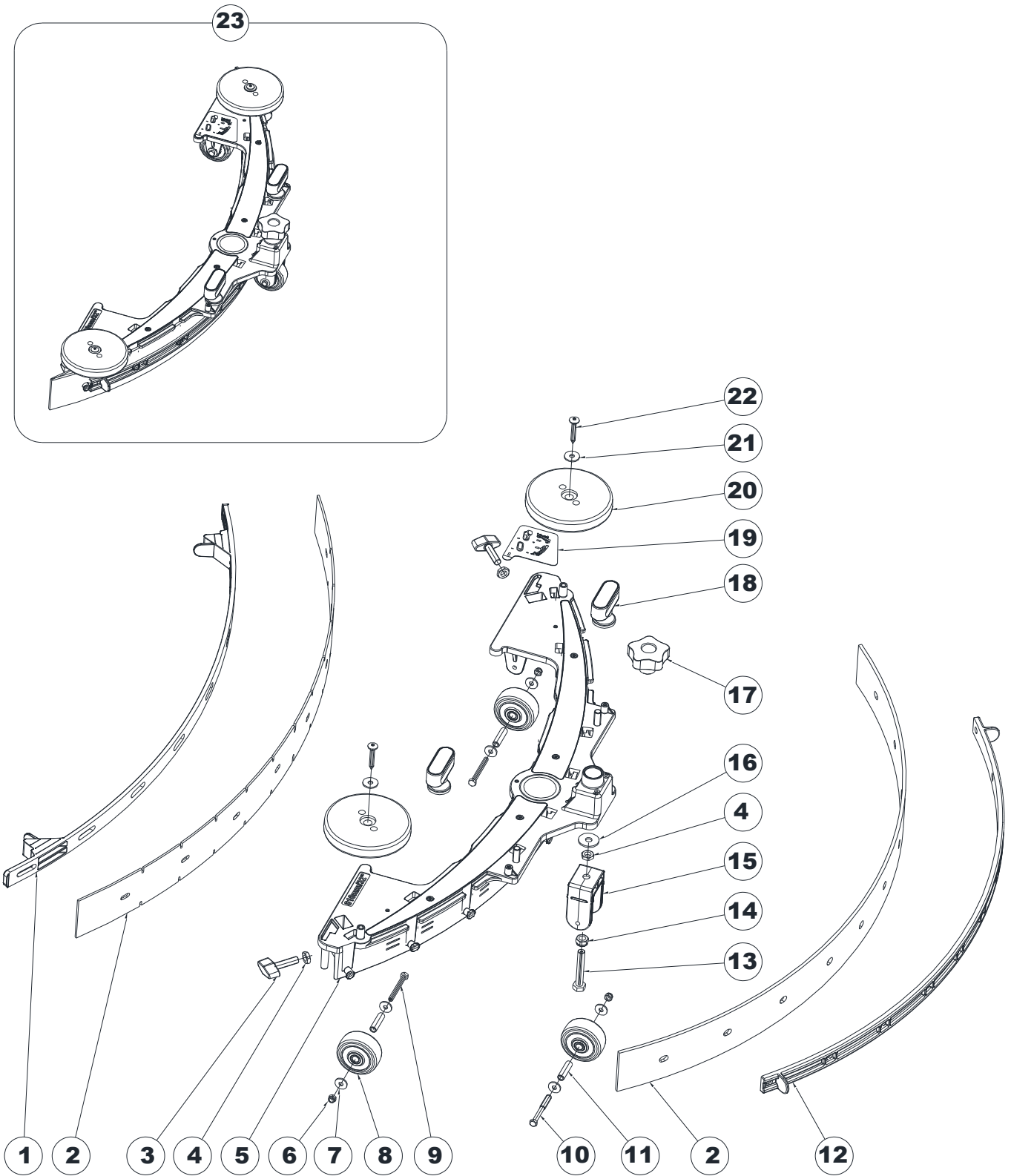
29 INCH SQUEEGEE SYSTEM



29 INCH SQUEEGEE SYSTEM

KIT	ITEM	REF. NO.	QTY	DESCRIPTION	NOTE
	1	9100000865	1	STRAP FRONT SQUEEGEE BLADE SIP	
	2*	9100000810	1	BLADE SQUEEGEE 730MM 29 GUM KIT	
	2*	9100000490	1	BLADE SQUEEGEE 730MM 29 PU KIT	
	2*	9100000060	1	BLADE SQUEEGEE 730MM 29 RED GUM KIT	
	2*	55944456	1	BLADE SQUEEGEE 730MM 29 LINATEX KIT	
	3	9100000791	2	KNOB M8X30 THD STUD SS SIP	
K1	4		2	NUT HEX M8 MEDIUM SS ISO4032	
	5	9100000747	1	SQUEEGEE 730MM/29 PRE-ASSEMBLED SIP	
K1	6		3	NUT LOCK HEX M5 LOW SS ISO10511	
K1	7		6	WASHER PLAIN M5X15 SS ISO7093	
	8	9100000559	3	WHEEL D.51 GREY SIP	
K1	9		2	SCREW M5X45 HEX HD P/THD SS ISO4014	
K1	10		1	SCREW M5x50 HEX HD P/THD SS ISO4014	
K1	11	9100002408	1	SPACER 5.1X8X28.5 PLASTIC 3 PCS SET	
	12	9100000864	1	STRAP ELASTIC F REAR SQUEEGEE BL. SIP	
K1	13		1	SCREW M8X50 HEX HD F/THD SS ISO4017	
K1	14		1	NUT LOCK HEX M8 LOW ISO10511	
	15	9100000866	1	SUPPORT SQUEEGEE WHEEL SIP	
K1	16		1	NUT HEX M8 LOW SS ISO4035	
K1	17		1	WASHER PLAIN M8X24 SS ISO7093	
	18	9100000862	1	KNOB LOBES M8 FEMALE SIP	
	19	55944975	1	SQUEEGEE FIXING KIT	
K1	20		1	SQUEEGEE RATING LABEL	
	21	9100001816	1	WHEEL BUMPER D.100 PLASTIC 2 PCS SET	
K1	22		2	WASHER PLAIN M6X18 SS ISO7093	
K1	23		2	SCREW 5X35 SELF PAN HD AW20 FLA BLACK	
	24*	55944976	1	SQUEEGEE 730MM/29 KIT	WITH GUM BLADE
	24*	55945119	1	SQUEEGEE 730MM/29 LN KIT	WITH LINATEX BLADE
[K1]		55944977		HARDWARE SQUEEGEE KIT	

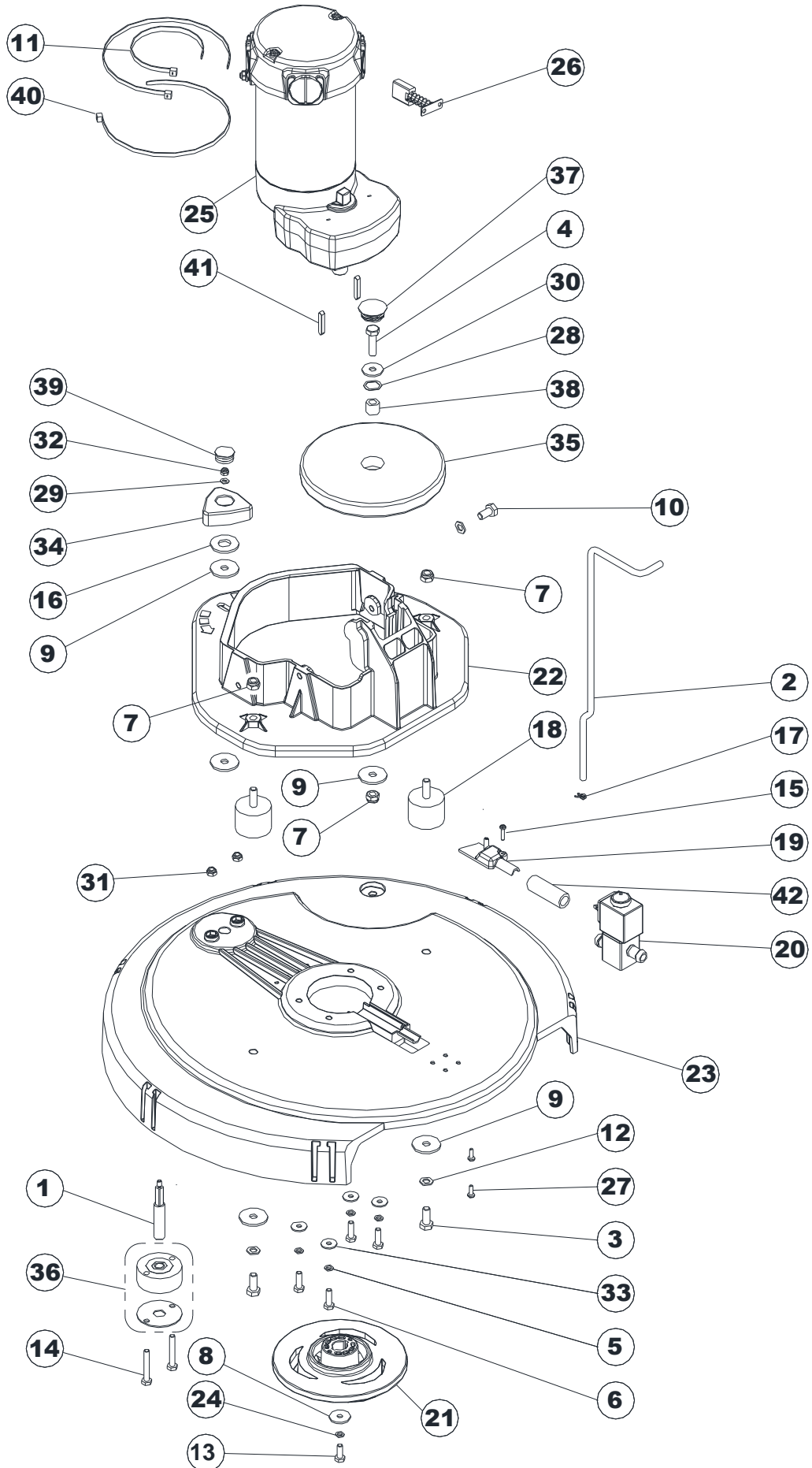
32 INCH SQUEEGEE SYSTEM



32 INCH SQUEEGEE SYSTEM

KIT	ITEM	REF. NO.	QTY	DESCRIPTION	NOTE
	1	55944978	1	STRAP F FRONT SQUEEGEE BLADE SIP	
	2*	55941295	1	BLADE SQUEEGEE 810MM 32 GUM KIT	
	2*	55941296	1	BLADE SQUEEGEE 810MM 32 PU KIT	
	2*	55941297	1	BLADE SQUEEGEE 810MM 32 RED GUM KIT	
	2*	55944455	1	BLADE SQUEEGEE 810MM 32 LINATEX KIT	
	3	9100000791	2	KNOB M8X30 THD STUD SS SIP	
K1	4		3	NUT HEX M8 LOW SS ISO4035	
	5	55944979	1	SQUEEGEE 810MM/32 PRE-ASSEMBLED SIP	
K1	6		3	NUT LOCK HEX M5 LOW SS ISO10511	
K1	7		6	WASHER PLAIN M5X15 SS ISO7093	
	8	9100000559	3	WHEEL D.51 GREY SIP	
K1	9		2	SCREW M5X45 HEX HD P/THD SS ISO4014	
K1	10		1	SCREW M5x50 HEX HD P/THD SS ISO4014	
K1	11	9100002408	1	SPACER 5.1X8X28.5 PLASTIC 3 PCS SET	
	12	55944980	1	STRAP F REAR SQUEEGEE BLADE SIP	
K1	13		1	SCREW M8X50 HEX HD F/THD SS ISO4017	
K1	14		1	NUT LOCK HEX M8 LOW ISO10511	
	15	9100000866	1	SUPPORT SQUEEGEE WHEEL SIP	
K1	16		1	WASHER PLAIN M8X24 SS ISO7093	
	17	9100000862	1	KNOB LOBES M8 FEMALE SIP	
	18	55944975	1	SQUEEGEE FIXING KIT	
K1	19		1	SQUEEGEE RATING LABEL	
	20	9100001816	1	WHEEL BUMPER D.100 PLASTIC 2 PCS SET	
K1	21		2	WASHER PLAIN M6X18 SS ISO7093	
K1	22		2	SCREW 5X35 SELF PAN HD AW20 FLA BLACK	
	23*	55944981	1	SQUEEGEE 810MM/32 KIT	WITH GUM BLADE
	23*	55945118	1	SQUEEGEE 810MM/32 LN KIT	WITH LINATEX BLADE
	[K1]	55944977	1	HARDWARE SQUEEGEE KIT	

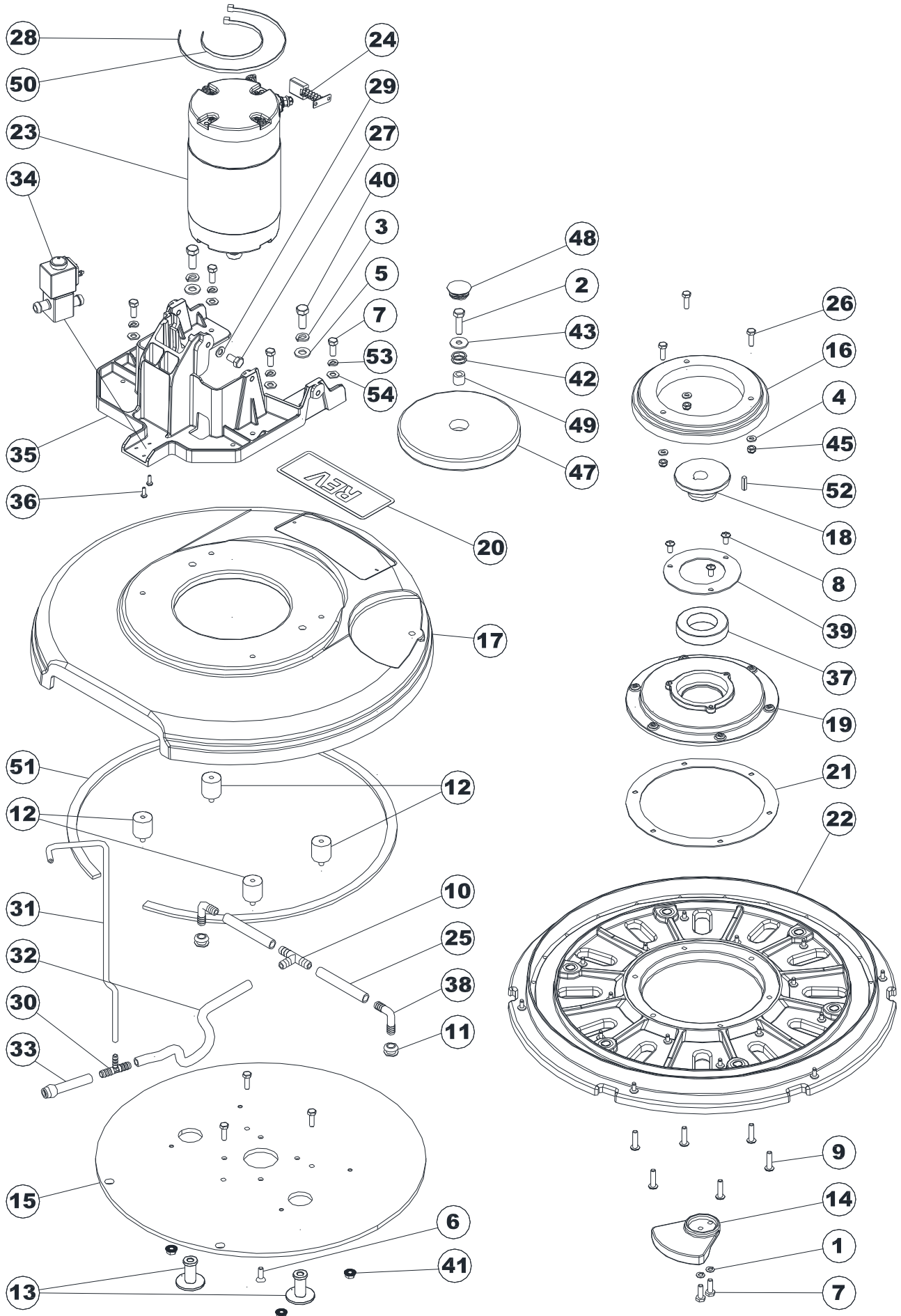
SINGLE DISC DECK SYSTEM



SINGLE DISC DECK SYSTEM

KIT	ITEM	REF. NO.	QTY	DESCRIPTION	NOTE
K2	1		1	PIN PLATE FIXING	
K4	2		1	HOSE SILICONE D.4X7 -SKEIN	
K3	3		2	SCREW M8X20 UNI5739 SS	
K1	4		1	SCREW M8X30 UNI5739	
K3	5		5	WASHER M6 UNI8842A SS	
K3	6		4	SCREW M6X25 UNI5739 SS	
K3	7		3	NUT SELFLOCKING LOW M8 UNI7474 SS	
K3	8		1	WASHER 6.6X24X2 UNI6593 SS	
K2	9		5	WASHER 8.5X32X2 SS	
K3	10		1	SCREW M8X16 UNI5739 SS	
K3	11		1	TIE CABLE 4.8x200 BLACK	
K3	12		3	WASHER M8 UNI8842A SS	
K3	13		1	SCREW M6X16 UNI5739 SS	
K2	14		2	SCREW M6X40 UNI5739 SS	
K3	15		2	SCREW 3.5X16 SELF THD PAN PHIL F PLASTIC	
K2	16		1	WASHER 10X30X2	
K3	17		1	CLAMP 6.6X 7	
	18	9100000868	1	VIBRATION DAMPING M8 60SH 2 PCS SET	
	19	9100000869	1	COVER SOLUTION HOSE SUPPORT SIP	
	20	9100000870	1	SOLENOID VALVE 24V SIP	
	21	9100000871	1	HUB BRUSH SIP	
	22	9100000872	1	PLATE BRUSH DECK HOLDER SIP	
	23	9100000873	1	DECK BRUSH SIP	
K3	24		1	WASHER NORD LOCK M6 DIN25201	
	25	9100000874	1	REDUCTION GEARMOTOR 450W 24V SIP	
	26	9098376000	1	CARBON BRUSHES KIT 4 PCS	
K3	27		2	SCREW PAN HD SELF 4x12 SS	
K1	28		1	WASHER 15	
K2	29		1	WASHER M5 UNI6592 SS	
K1	30		1	WASHER 8X24X2 FLAT ISO7093	
K2	31		2	NUT SELF L. M6 UNI7474 SS	
K2	32		1	NUT SELFLOCKING LOW M5 UNI7474 SS	
K3	33		4	WASHER 6X18X1.5 UNI6593 SS	
K2	34		1	KNOB	
K1	35		1	ROLLER BUMPER D.160 BLACK	
	36	L08812780	1	PLATE FIXING BRUSH KIT	
K1	37		1	CAP. BLACK	
K1	38		1	SPACER 9X15X13	
K2	39		1	CAP FOR KNOB	
K3	40		2	TIE CABLE 4.8X430 WHITE	
	41	9100000875	1	KEY 5X5X30 DIN6885 2 PCS SET	
K4	42		1	HOSE PVC REINFORCED D.12.5X17 -SKEIN	
	[K1]	909 6887 000	1	ROLLER BUMPER KIT	
	[K2]	9100002483	1	KNOB BRUSH SPEED ADJUSTM. KIT	
	[K3]	9100000751	1	HARDWARE BRUSH DECK KIT	
	[K4]	9100000797		HOSES BRUSH DECK KIT	

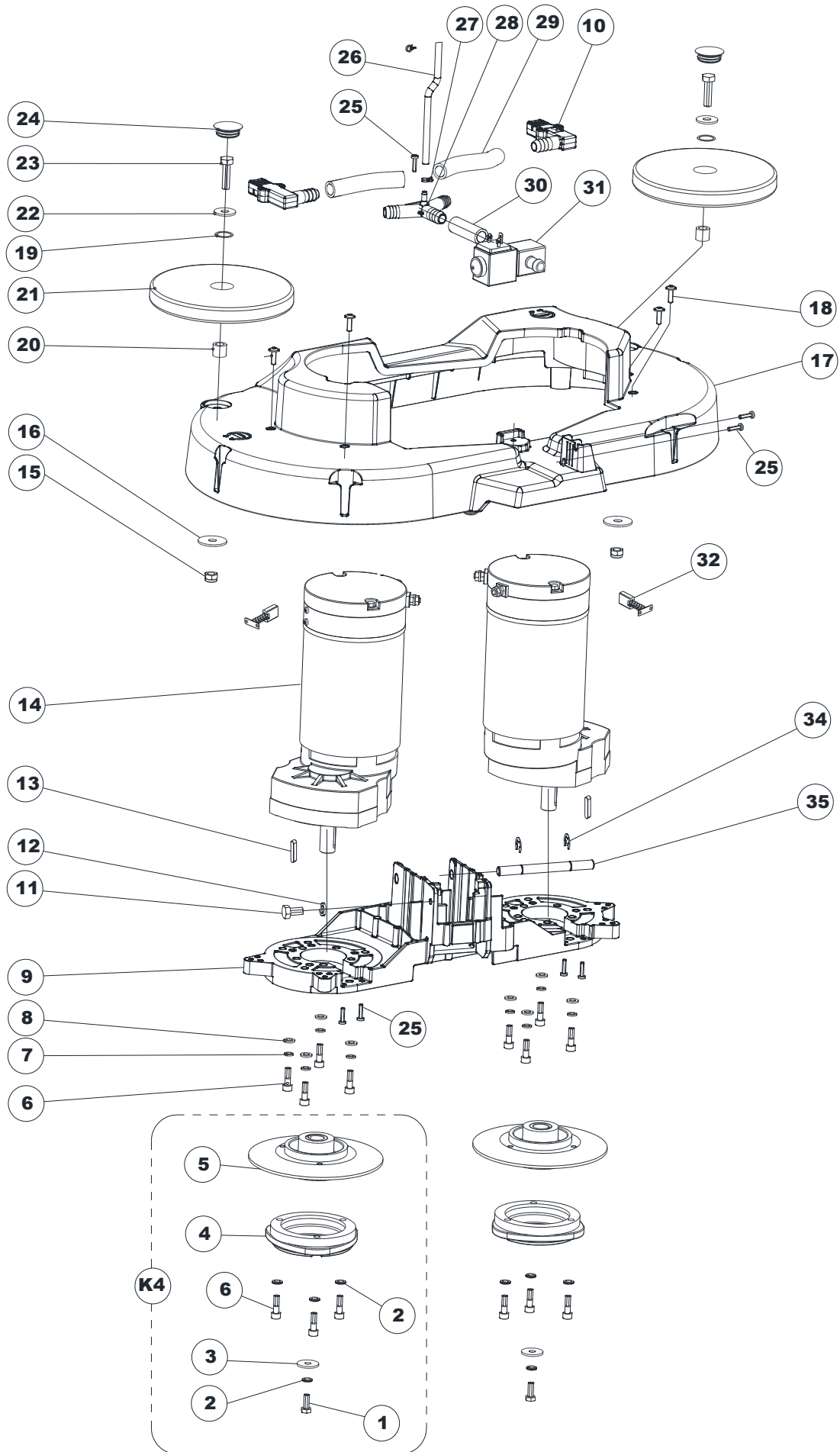
REV DECK SYSTEM



REV DECK SYSTEM

KIT	ITEM	REF. NO.	QTY	DESCRIPTION	NOTE
K2	1		2	WASHER LK 1/4 REGSS	
K1	2		1	SCREW M8X40 UNI5739	
K2	3		2	WASHER M10 UNI1751B	
K3	4		3	WASHER M6 UNI6592 SS	
K2	5		2	WASHER M10 UNI6592	
K2	6		4	SCREW FLT PHIL LOC 1/4-20 X 0.75	
K2	7		6	SCREW HEX LOC 1/4 20 X 0.75	
K5	8		3	SCREW PAN PHIL LOC SS 1/4 20X.50	
K2	9		6	SCREW PAN PHIL LOC SS 1/4-20 X 1.00	
K6	10		1	TEE HOSE 3/8X3/8X3/8 PLSTC	
K6	11		2	GROMMET .500 E00059	
	12	56382991	1	KIT-ISOLATOR BOOST HD	
	13	9098979000	1	STUD STABILIZER KIT	
	14	56390002	1	WEIGHT COUNTER	
	15	9100000900	1	PLATE F DECK MOTOR SIP	
K3	16		1	SHIELD SPLASH	
	17	55945071	1	HOUSING BRUSH BLACK SIP	
K4	18		1	ECCENTRIC	
K5	19		1	DRIVER MOTOR	
	20	55945070	1	DECAL REV SIP	
K5	21		1	GASKET DRIVER	
	22	9100002161	1	PAD DRIVER CLP SIP	
	23	9100001860	1	MOTOR ELECTRIC 350W 24V SIP	
	24	9100001283	1	CARBON BRUSHES W/HOLDER SIP	
	24	L08603949	1	CARBON BRUSHES SET 4 PCS	
	24	56412287	1	MOTOR BRUSH/SPRING KIT	SCOTT MOTORS CO. BLACK (56390072)
K6	25		2	HOSE CLEAR	
K3	26		3	SCREW M6X20 UNI5739 SS	
K2	27		1	SCREW M8X16 UNI5739 SS	
K2	28		1	TIE CABLE 4.8x200 BLACK	
K2	29		1	WASHER M8 UNI8842A SS	
K6	30		1	HOLDER RUBBER T	
K6	31		1	HOSE SILICONE D.4X7	
K6	32		1	HOSE SILICONE RUBBER	
K6	33		1	HOSE SILICONE RUBBER	
	34	9100000870	1	SOLENOID VALVE 24V SIP	
	35	9100000876	1	PLATE BRUSH DECK HOLDER SIP	
K2	36		2	SCREW PAN HD SELF 4x12 SS	
K5	37		1	BEARINGBALL OBS-18 6008	
K6	38		2	HOSEBARB 3/8 X 90 DEG	
K5	39		1	RETAINER BEARING	
K2	40		2	SCREW 3/8-24 X 1 HEX HEAD	
K2	41		4	NUT HEX SERRATED FLANGE1/4-20	
K1	42		2	WASHER 15	
K1	43		1	WASHER 8X24X2 FLAT ISO7093	
K3	45		3	NUT SELF L. M6 UNI7474 SS	
K1	47		1	ROLLER BUMPER D.160 BLACK	
K1	48		1	CAP. BLACK	
K1	49		1	SPACER 9X15X13	
K2	50		1	TIE CABLE 4.8X430 WHITE	
	51	9100000901	1	GASKET ADHESIVE 12X5 L.1090MM SIP	
K4	52		1	KEY 3/16 X 3/16 X 3/4 LG	
K2	53		4	WASHER SELF BLOCK DISK M6 DIN25201	
K2	54		4	WASHER PLAIN M6X18 SS ISO7093	
	[K1]	9100000749	1	ROLLER BUMPER D.160 BLACK KIT	
	[K2]	9100000756	1	HARDWARE BRUSH DECK KIT	
	[K3]	9098982000	1	SPLASH GUARD KIT	
	[K4]	9098984000	1	KIT-ECCENTRIC	
	[K5]	9098983000	1	DRIVER KIT	
	[K6]	9100000757	1	HOSES BRUSH DECK KIT	

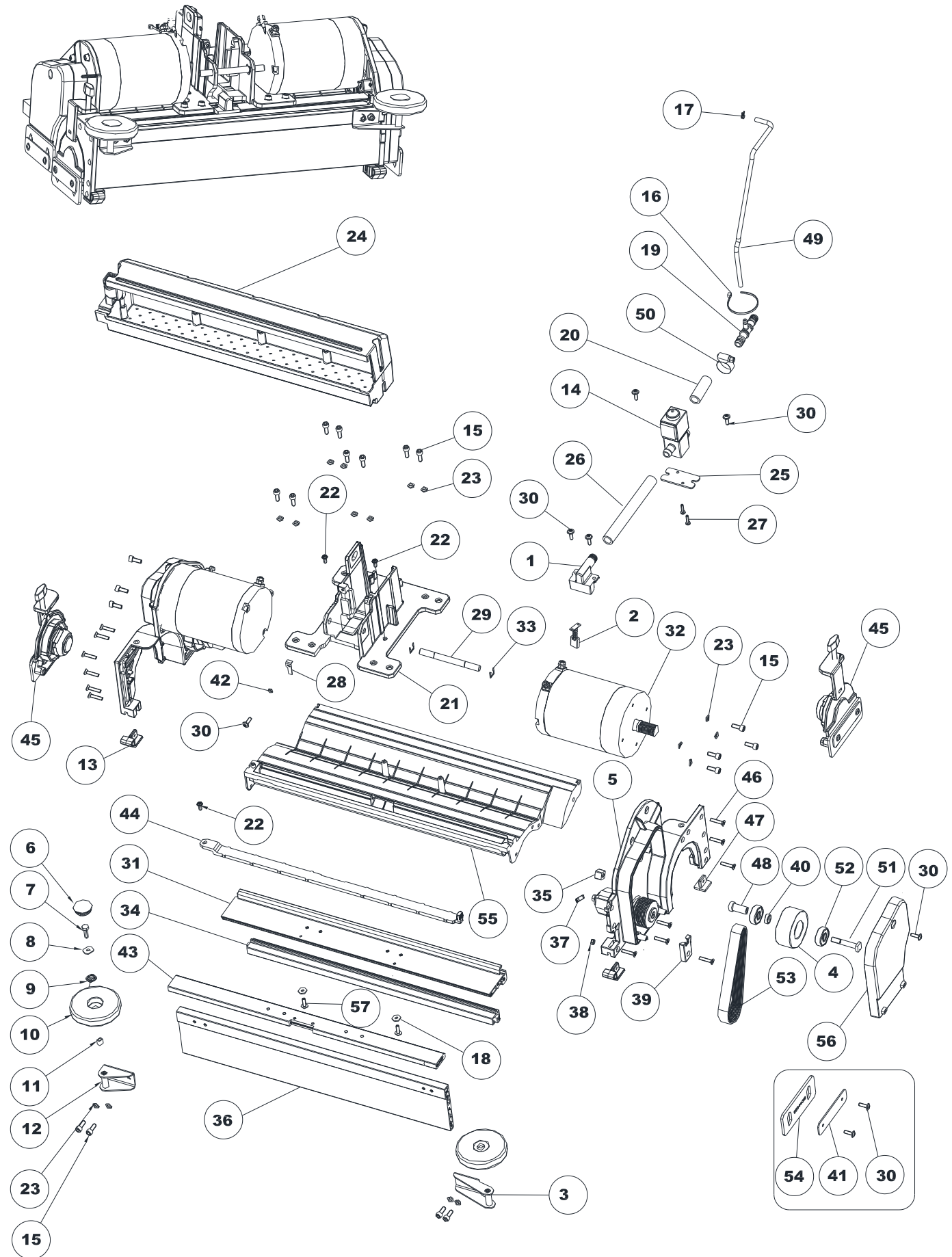
DUAL DISC DECK SYSTEM



DUAL DISC DECK SYSTEM

KIT	ITEM	REF. NO.	QTY	DESCRIPTION	NOTE
K4	1		2	SCREW M6x16 HEX HD F/THD SS ISO4017	
K4	2		8	WASHER SELF BLOCK DISK M6 DIN25201	
K4	3		2	WASHER PLAIN M6X24X2 SS ISO7093	
K4	4		2	HUB BRUSH	
K4	5		2	HUB BRUSH R. GEARMOTOR RIGHT	
K3/K4	6		14	SCREW M6X20 CAP HD HEX SS ISO4762 SCOTCH	
K3	7		8	WASHER SERR. EXT. M6 SS DIN6798-A	
K3	8		8	WASHER PLAIN M6X12 SS ISO7089	
	9	55944982	1	DECK HOLDER F DUAL DISC SIP	
K2	10		2	BARBED CONNECTOR 90 DEG D. 13.4MM	
K3	11		1	SCREW M8x16 HEX HD F/THD SS ISO4017	
K3	12		1	WASHER SPRING LOCK M8 DIN127-B	
	13	9100000875	2	KEY 5X5X30 DIN6885 2 PCS SET	
	14	55944983	2	REDUCTION GEAR MOTOR 450W 24V SIP	
K1	15		2	NUT LOCK HEX M8 LOW SS ISO10511	
K1	16		2	WASHER PLAIN M8X32X2 SS ISO7093	
	17	55944984	1	DECK COVER F DUAL DISC SIP	
K3	18		5	SCREW M5X16BOTTOM HD TORX FLA SS BLACK	
K1	19		2	SPRING WAVY D.15	
K1	20		2	SPACER D.9X15 H.13 GALV.	
K1	21		2	ROLLER BUMPER	
K1	22		2	WASHER PLAIN M8X24X2 ISO7093	
K1	23		2	SCREW M8X30 HEX HD F/THD ISO4017	
K1	24		2	CAP BLACK	
K2/K3	25		7	SCREW 4X16 SELF PAN HD TORX F PLASTIC	
K2	26		1	HOSE SILICONE D.4X7 - L=0.470M	
K4	27		2	CLAMP 6.6X 7	
K2	28		1	FOURWAY CONNECTOR PLASTIC	
K2	29		2	PIPE PVC D.12.5X17-19 L=125MM	
K2	30		1	PIPE PVC D.12.5X17-19 L=50MM	
	31	9100000870	1	SOLENOID VALVE 24V SIP	
	32	55944985	2	CARBON BRUSHES KIT 4 PCS	
K3	34		2	E-RING ETW-9	
K3	35		1	PIN D.10X112	
	[K1]	909 6887 000	1	ROLLER BUMPER KIT	
	[K2]	55944987	1	HOSES BRUSH DECK KIT	
	[K3]	55944988	1	HARDWARE DUAL DECK SYSTEM KIT	
	[K4]	55944986	2	HUB BRUSH KIT	

CYL DECK SYSTEM - 1

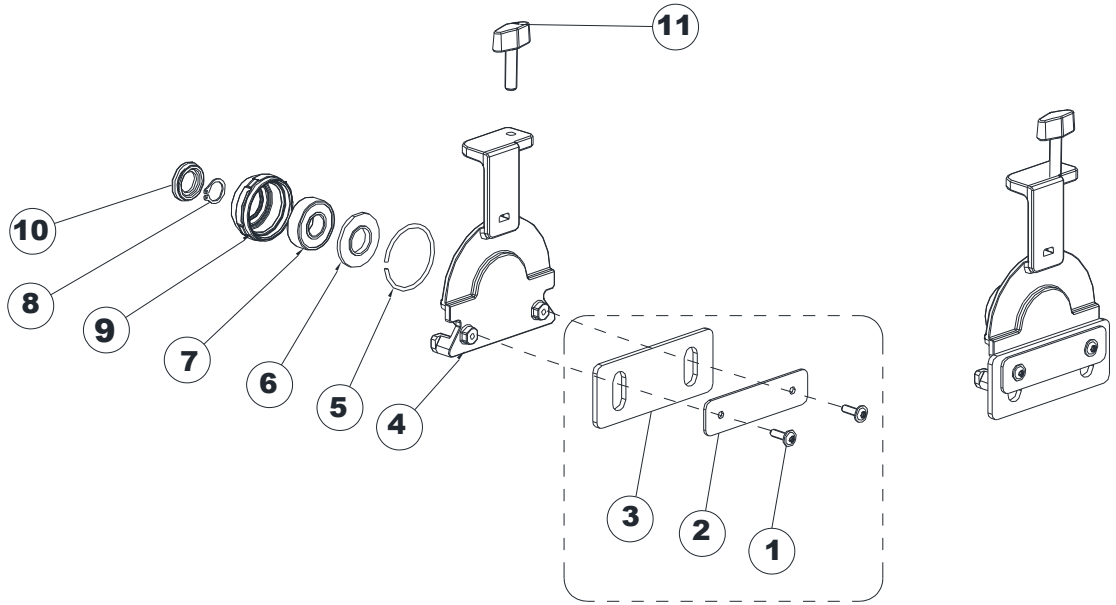


CYLL DECK SYSTEM -1

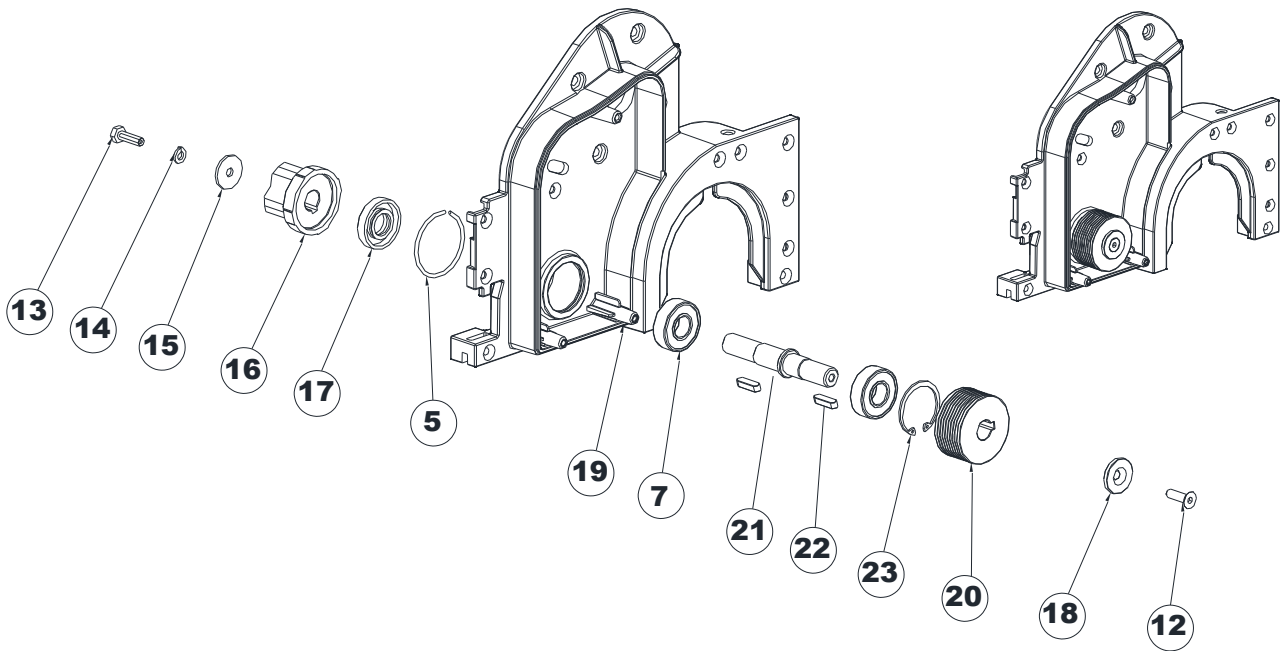
KIT	ITEM	REF. NO.	QTY	DESCRIPTION	NOTE
	1	55944989	1	JOINT WATER SIP	
	2	55944985	2	CARBON BRUSHES KIT 4 PCS	
K1	3		1	SUPPORT BUMPER LT	
K5	4		2	ROLLER BELT TENSIONER	
	5	55944991	2	SIDE HOUSING FRAME KIT	
K1	6		2	CAP BLACK	
K1	7		2	SCREW M6X20 HEX HD F/THD SS ISO4017	
K1	8		2	WASHER PLAIN M6X18 SS ISO709	
K1	9		2	SPRING WAVY ID12.3 OD17 H1.5	
K1	10		2	ROLLER BUMPER	
K1	11		2	DISTANZIALE 6,25x10x9,6	
K1	12		1	SUPPORT BUMPER RT	
K6	13		2	FRONT GUIDE-WEAR	
	14	9100000870	1	SOLENOID VALVE 24V SIP	
K1/K3	15		20	SCREW M6X16 CAP HD HEX SS BLACK	
K2	16		1	TIE CABLE 2.9x130 BLACK	
K2	17		1	CLAMP 6.6X 7	
K3	18		2	WASHER PLAIN M5X15 ISO7093	
K2	19		1	JOINT T PLASTIC	
K2	20		1	HOSE PVC REINFORCED D.12.5X17 -SKEIN L=50MM	
	21	55944994	1	HOLD CYL DECK SIP	
K3	22		3	SCREW 5X12 TORX BUTT FLA SELF SS BLACK	
K1/K3	23		20	WASHER SPRING LOCK M6 DIN127-B	
	24	55944995	1	DUSTBINK SIP	
K3	25		1	SUPPORT SOLENOID VALVE	
K2	26		1	HOSE PVC REINFORCED D.12.5X17 -SKEIN L=0.15M	
K3	27		2	SCREW 4X16 SELF PAN HD TORX SS BLACK	
K3	28		1	BARRIER BRACKET	
K3	29		1	PIN D.10X112	
K3/K4	30		11	SCREW M5X16 BOTTOM HD TORX FLA SS BLACK	
	31	55944999	1	FRAME - ALU EXTRUSION 03 SIP	
	32	55945000	2	CYL MOTOR 24V 300W 1500RPM SIP	
K3	33		2	E-RING ETW-9	
	34	55945001	1	FRAME - ALU EXTRUSION 04 SIP	
K3	35		2	NUT SQUARE M8 SS BLACK	
	36	55945002	1	FRAME - ALU EXTRUSION 01 SIP	
K3	37		2	SCREW M6X25 HD HEX SS	
K3	38		2	NUT LOCK HEX M5 LOW SS ISO10511	
	39	55945003	1	PLATE PLASTIC SIP	
K5	40		2	SPACER D.12.5X16 H.6 GALV.	
K4	41		1	PLATE SPLASH GUARD FIXING	
K3	42		1	WASHER SPRING LOCK M5 DIN127-B	
	43	55945004	1	FRAME - ALU EXTRUSION 02 SIP	
	44	55945005	1	RUBBER WATER CHANNEL COVER SIP	
	45	55945006	2	SIDE SUPPORT BRUSH KIT	
K3	46		18	SCREW M5X25 C/SUNK FLAT HD HEX ISO10642	
K6	47		2	REAR GUIDE-WEAR	
K5	48		2	BUSHING COLLARED	
K2	49		1	HOSE SILICONE D.4X7 -SKEIN L=0.4M	
K2	50		1	CLAMP 12/16-27	
K5	51		2	PIN	
K5	52		4	BEARING BALL 6201 2RS1	
	53	909 5820 000	2	BELT POLY-V 11J03818	
K4	54	55945055	1	GUARD SPLASH CYL SIP	
	55	55945008	1	COVER FRAME SIP	
	56	55945009	2	COVER HOUSING F BELT SIP	
K3	57		2	SCREW M5X10 PAN HD TORX SS ISO7045	
	[K1]	55945010	1	ROLLER BUMPER KIT	
	[K2]	55945011	1	HOSES BRUSH DECK KIT	
	[K3]	55945012	1	HARDWARE CYLINDRICAL DECK KIT	
	[K4]	55945013	2	GUARD SPLASH CYL KIT	
	[K5]	55945014	2	ROLLER BELT TENSIONER KIT	
	[K6]	55944992	1	FRONT AND REAR GUIDE-WEAR	

CYL DECK SYSTEM -2

K2



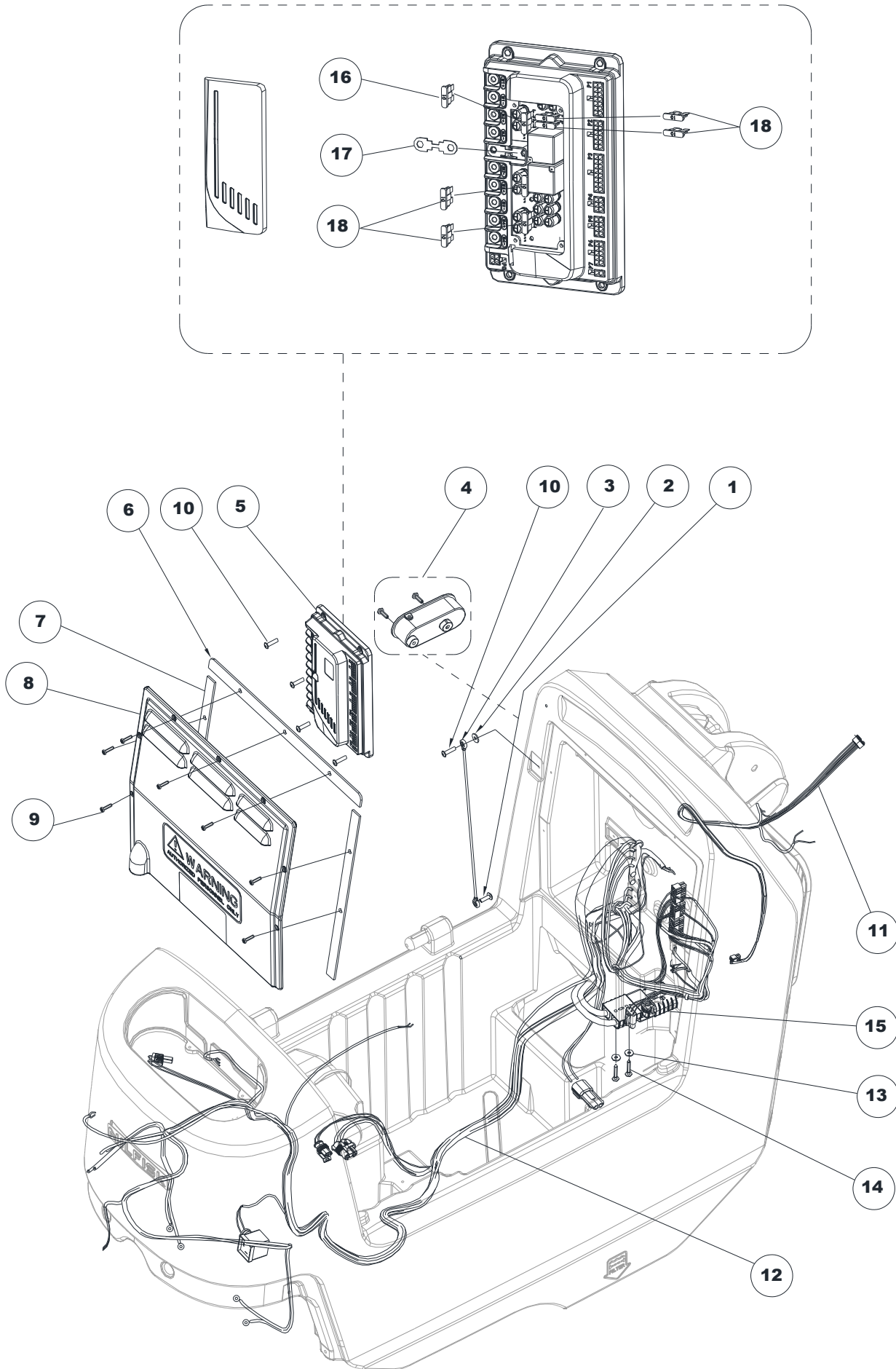
K3



CYL DECK SYSTEM-2

KIT	ITEM	REF. NO.	QTY	DESCRIPTION	NOTE
K1/K2	1		2	SCREW M5X16BOTTOM HD TORX FLA SS BLACK	
K1/K2	2		1	PLATE SPLASH GUARD FIXING	
K1/K2	3	55945055	1	GUARD SPLASH CYL SIP	
K2	4		1	SUPPORT BRUSH CYL	
K2/K3	5		2	SNAP RING EXTERNAL D.42MM	
K2	6		1	SEAL F HUB PLASTIC	
K2/K3	7		3	BEARING BALL 6202 2RS1	
K2	8		1	RETAINING RING STW-15	
K2	9		1	HUB BRUSH	
K2	10		1	CAP SEAL	
K2	11	55945015	1	KNOB M8 SIP	
K3	12		1	SCREW M6X20 C/SUNK FLAT HD HEX ISO10642	
K3	13		1	SCREW M6X20 HEX HD F/THD SS ISO4017	
K3	14		1	WASHER SPRING LOCK M6 DIN127-B	
K3	15		1	WASHER PLAIN M6X24X2 SS ISO7093	
K3	16		1	HUB BRUSH	
K3	17		1	RUBBER SEAL 15MMX35MMX7MM	
K3	18		1	SPACER D.6.5X25 H.3 GALV.	
K3	19		1	HOUSING FRAME CYL	
K3	20		1	PULLEY POLY-V	
K3	21		1	SHAFT F BRUSH PULLEY D.20X98.5MM	
K3	22		2	KEY 5X5X20 UNI6604A	
K3	23		1	RING D 35 UNI7437	
	[K1]	55945013	1	GUARD SPLASH CYL KIT	
	[K2]	55945006	1	SIDE SUPPORT BRUSH KIT	
	[K3]	55944991	1	SIDE HOUSING FRAME KIT	

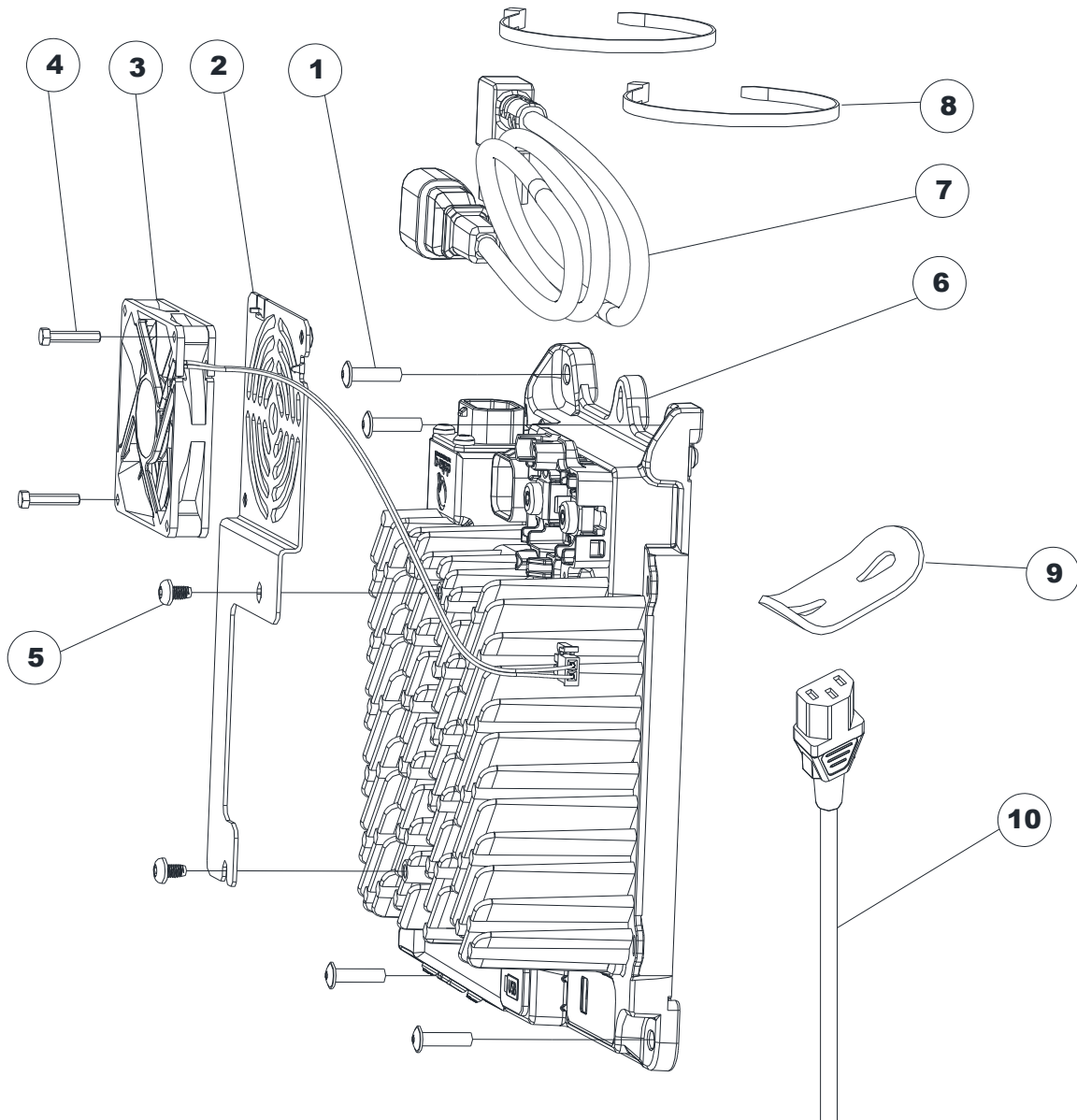
ELECTRICAL COMPONENTS SYSTEM



ELECTRICAL COMPONENTS SYSTEM

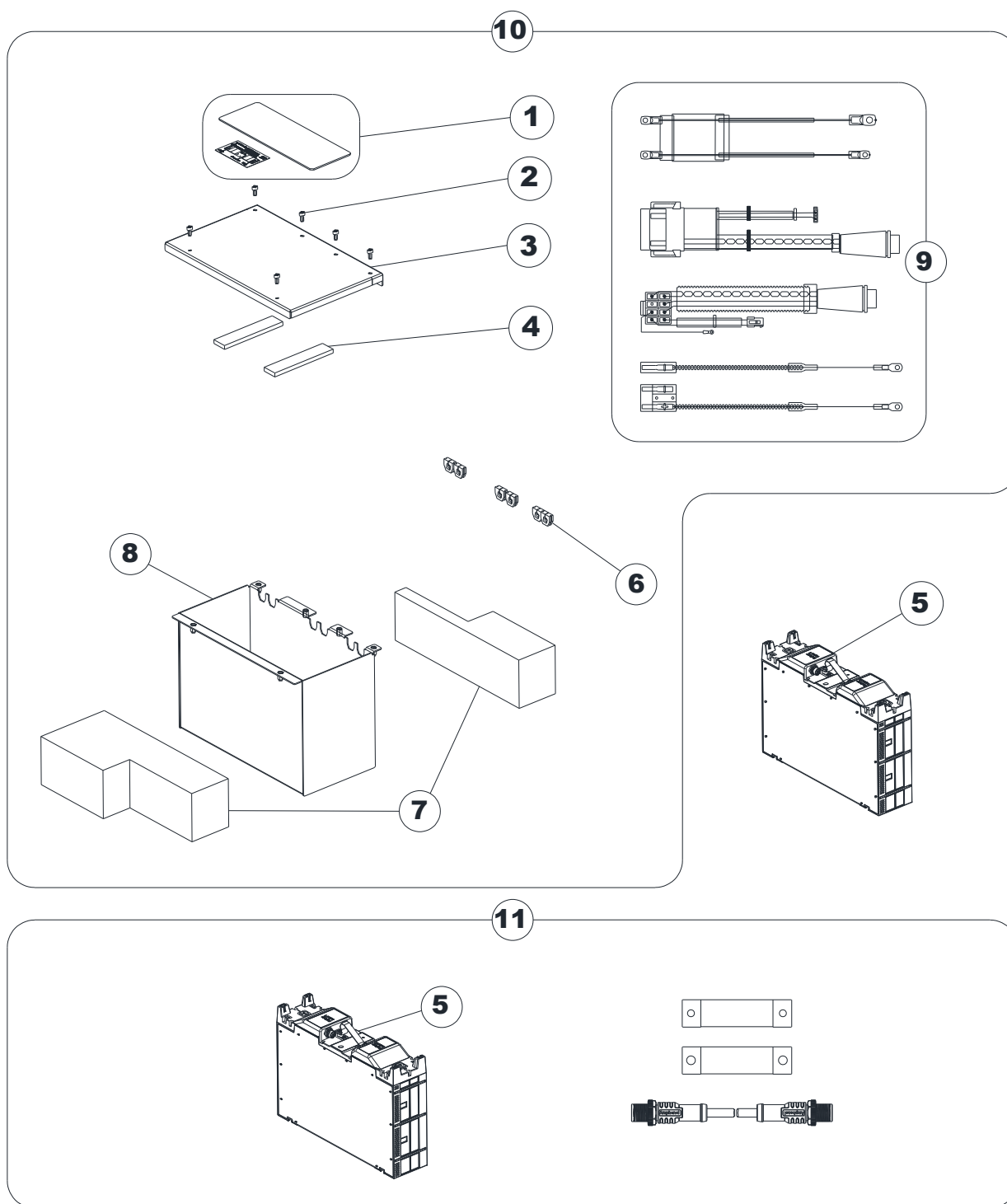
KIT	ITEM	REF. NO.	QTY	DESCRIPTION	NOTE
K1	1		1	SCR TRX M5X16 W/THD LCK BLK	
K1	2		1	WASHER PLAIN M5X15 ISO7093	
K1	3		1	CABLE SAFETY F TANK	
	4	55945016	1	HOOK KIT	
	5	55945017	1	MAIN MACHINE CONTROLLER SIP	
K2	6		1	GASKET UPPER ELECTRONIC COVER	
K2	7		2	GASKET SIDE ELECTRONIC COVER	
	8	9100000880	1	COVER BOX ELECTRIC COMP. SIP.	
K3	9		7	SCREW 4X16 SELF PAN HD TORX F PLASTIC	
K1/K3	10		5	SCREW M5X20 WN1451 BLACK ZN	
	11	55945018	1	HARNESS UI BOARD CONNECTION SIP	
	12*	55945019	1	HARNESS MAIN CONNECTION SIP	FOR DUAL DISC AND CYL
	12*	55945020	1	HARNESS MAIN SINGLE N REV SIP	FOR SINGLE DISC AND REV
K3	13		2	WASHER PLAIN M5X15 ISO7093	
K3	14		2	SCREW 5X35 SELF PAN HD AW20 FLA BLACK	
	15*	55945021	1	HARNESS CONTROLLER POWER SIP	FOR 24V 50Ah BATTERY
	15*	55945022	1	HARNESS CONTROLLER POWER LI BATT SIP	FOR 24V 64Ah BATTERY
K4	16		1	FUSE 32V DC 30A	
K4	17		1	FUSE 32V DC 150A	
K4	18		4	FUSE 32VDC 40A	
	[K1]	55945023	1	CABLE SAFETY F TANK KIT	
	[K2]	9100000798	1	GASKETS COVER KIT	
	[K3]	55945024	1	HARDWARE CONTROLLER MAIN MACHINE KIT	
	[K4]	55945025	1	FUSE KIT	

LI-ION CHARGER SYSTEM



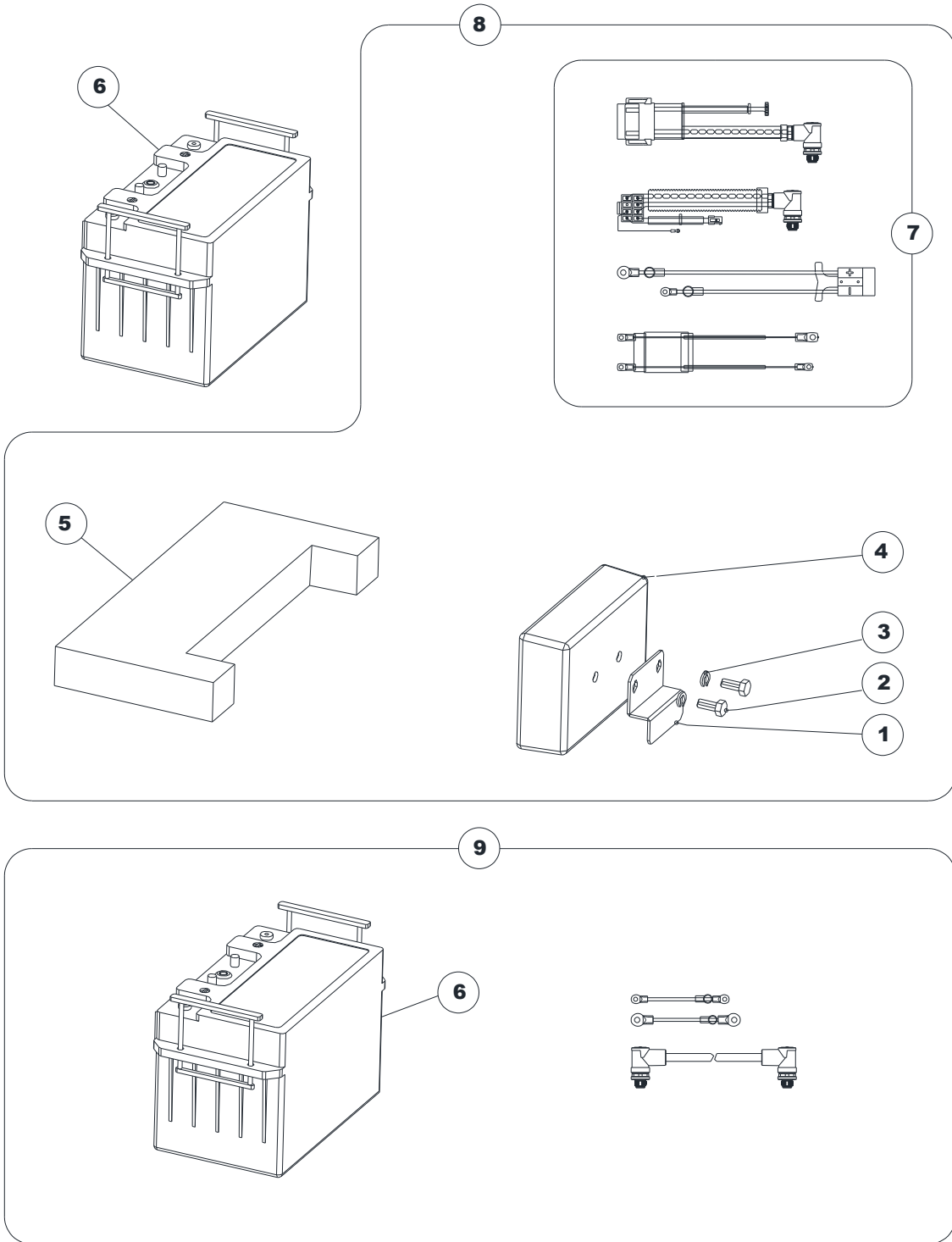
KIT	ITEM	REF. NO.	QTY	DESCRIPTION	NOTE
K1	1		4	SCREW M5X20 WN1451 BLACK ZN	
	2	55945026	1	BRACKET FAN SIP	
	3	55945027	1	DC FAN SIP	
K1	4		2	SCREW M4x20 HEX HD F/THD ISO4017	
K1	5		2	SCREW M5X8 PAN TORX TRILOBULAR DIN7500	
	6	55945459	1	CHARGER 24V 27A SIP	
	7	55942270	1	POWER CORD 1M AC250V EU	FOR EU MACHINE
	7	55942271	1	POWER CORD 1M AC250V US	FOR US MACHINE
K1	8		2	TIE CABLE 4.8x250 BLACK	
	9	9100000829	1	BAND ELASTIC F EXTENSION CABLE SIP	
	10*	9100000787	1	CABLE EXTENSION EU PLUG L.2000 SIP	FOR EU/UK MACHINE
	10*	1466318000	1	CABLE EXTENSION UK PLUG L.2000MM SIP	FOR EU/UK MACHINE
	10*	9100000890	1	CABLE EXTENSION US PLUG L.2000MM SIP	FOR US MACHINE
[K1]		55945029	1	HARDWARE LI-ION CHARGER KIT	

LI-ION BATTERY SYSTEM (24V 64Ah)



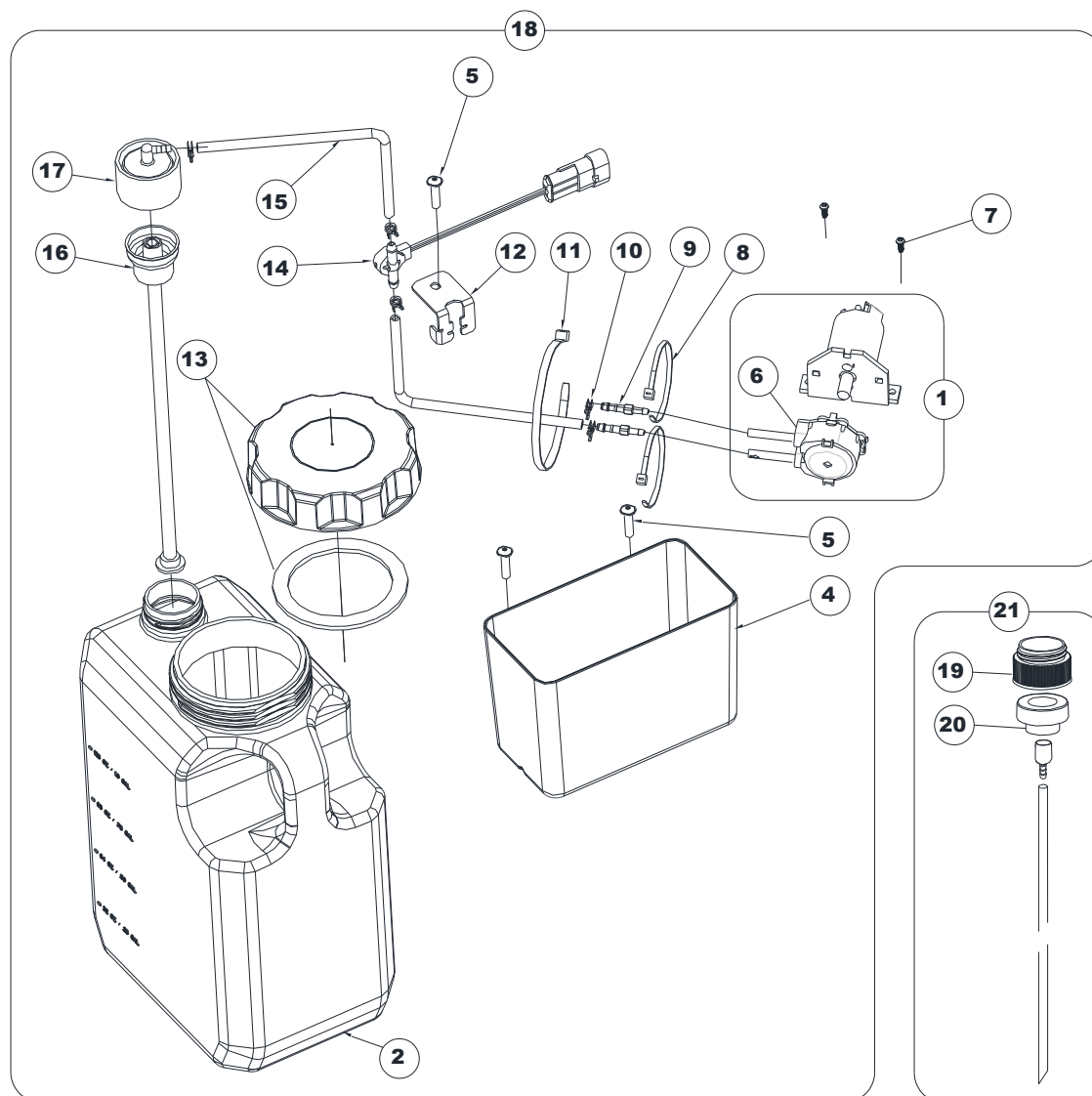
KIT	ITEM	REF. NO.	QTY	DESCRIPTION	NOTE
	1	55945030	1	LABEL F LI-ION BATTERY KIT	
K1	2		6	SCREW M6X12 CAP HD HEX SOCK ISO4762	
K1	3		1	COVER BOX LI-ION BATTERY	
K1	4		2	FOAM	
	5*	106479002	1	BATTERY PACK, 24 VOLT, 7S20P	
K1	6		6	GROMMET CROSSCUT D13.5 X2	
	7	55945031	1	LI-ION FIXING FOAM KIT	FOR 64Ah BATTERY
K1	8		1	BOX LI-ION BATTERY	
	9	55945032	1	HARNESS LI-ION STANDARD KIT	
	10*	55945033	1	BATTERY FIX AND HARNESS KIT (24V 64Ah)	KIT DOES NOT INCLUDES BATTERY
	11*	9100003110	1	LITHIUM ION EXPANSION KIT (24V 64Ah)	KIT INCLUDES 1 BATTERY
	[K1]	55945034	1	LI-ION BOX KIT	

LI-ION BATTERY SYSTEM (24V 50Ah)



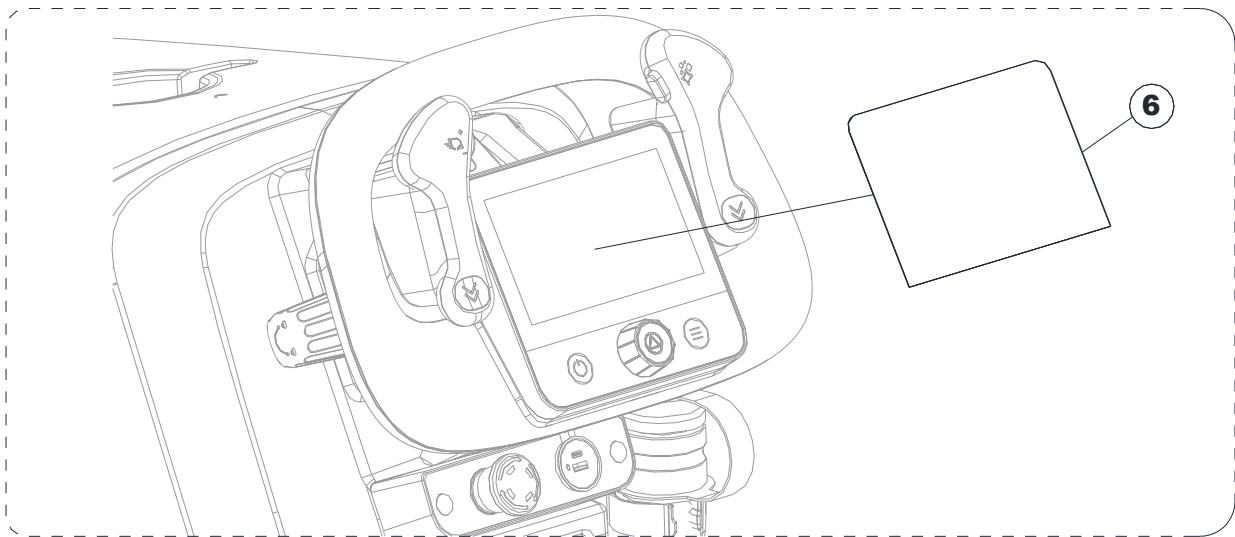
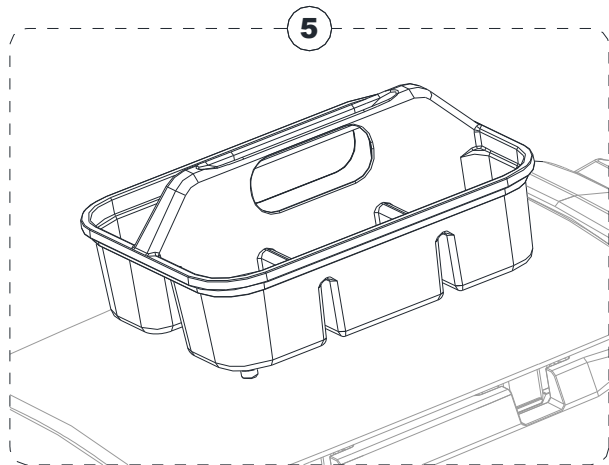
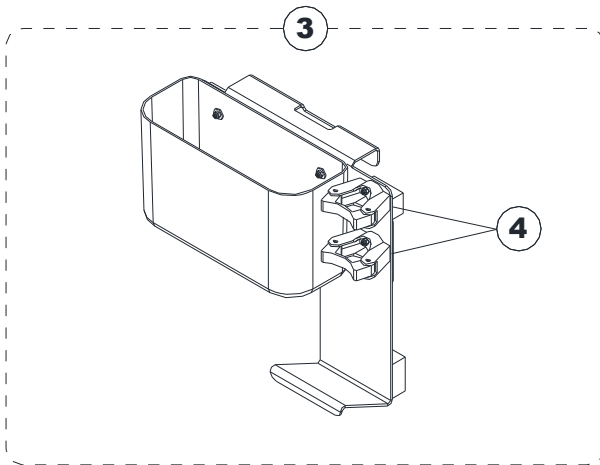
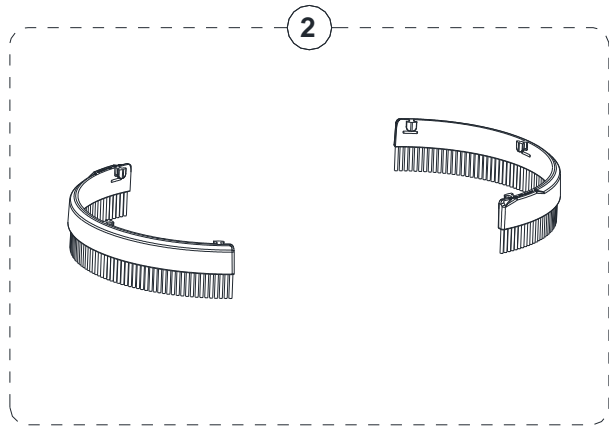
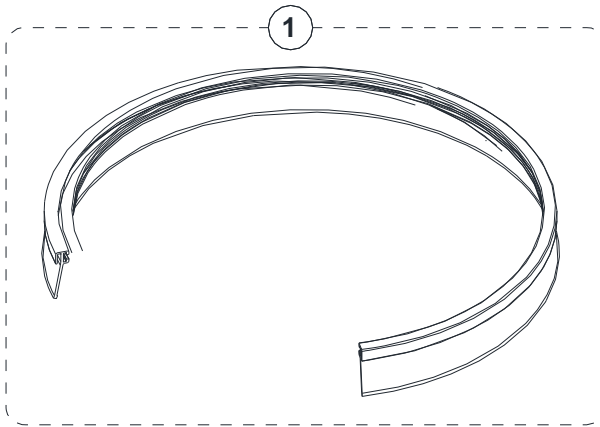
KIT	ITEM	REF. NO.	QTY	DESCRIPTION	NOTE
K1	1		1	SUPPORT COUNTERWEIGHT	
K1	2		2	SCREW M8X20 HEX HD F/THD SS ISO4017	
K1	3		2	WASHER SPRING LOCK M8 DIN127-B	
K1	4		1	COUNTERWEIGHT	
	5	55945035	1	LI-ION FIXING FOAM SIP	FOR 50Ah BATTERY
	6*	55945450	1	LI-ION BATTERY (24V 50Ah) SIP	
	7	55945036	1	HARNESS LI-ION STANDARD KIT	
	8*	55945037	1	BATTERY FIX AND HARNESS KIT (24V 50Ah)	KIT DOES NOT INCLUDES BATTERY
	9*	55945038	1	LITHIUM ION EXPANSION KIT (24V 50Ah)	KIT INCLUDES 1 BATTERY
	[K1]	55945039	1	COUNTERWEIGHT KIT	

ECOFLEX SYSTEM



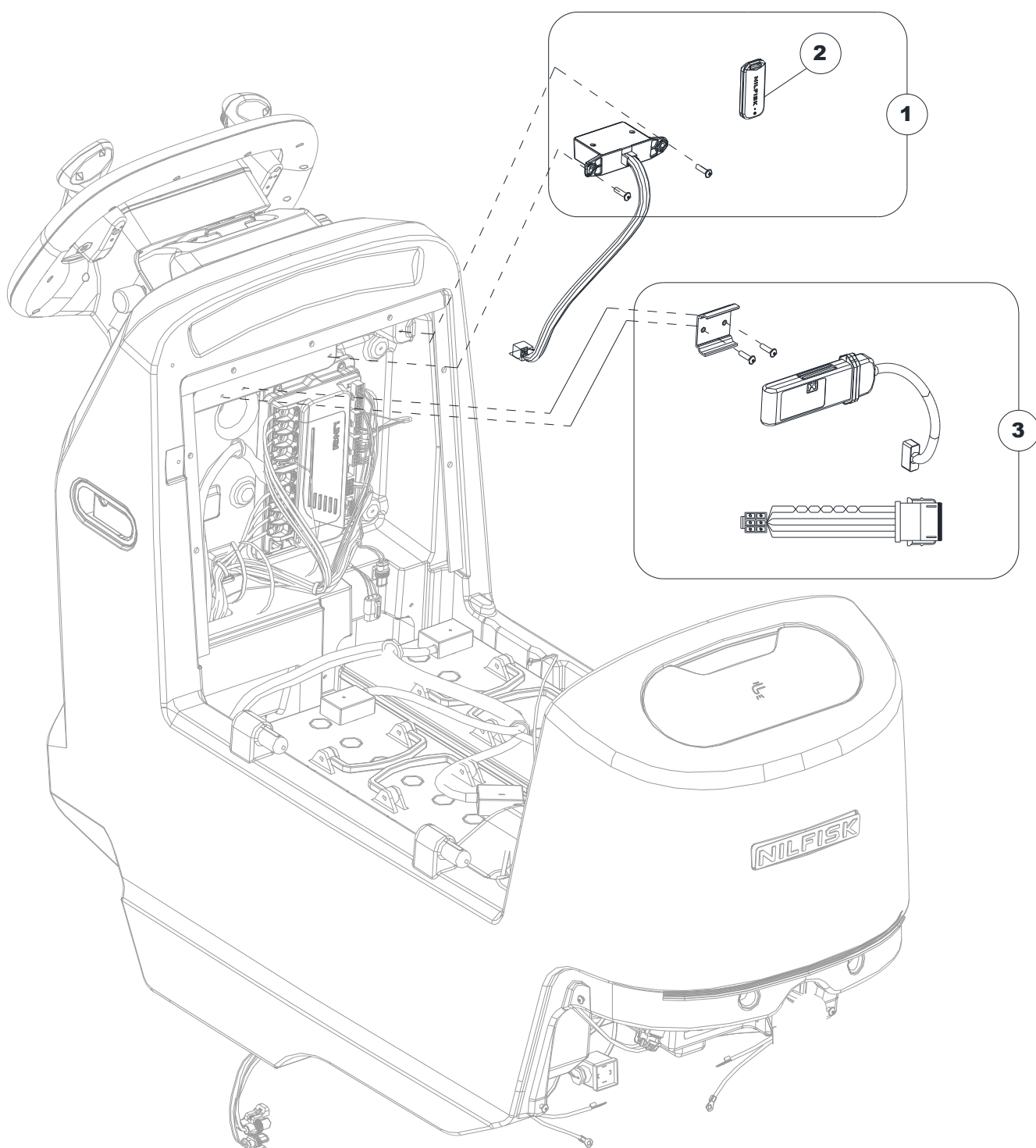
KIT	ITEM	REF. NO.	QTY	DESCRIPTION	NOTE
	1	9100002398	1	PUMP DETERG. MIX PERISTALTIC 24V SIP	
	2	9100001081	1	DETERGENT TANK SIP	
	4	9100002971	1	SUPPORT WATER LEVEL SENSOR SIP	
K1	5		3	SCREW M5X20 WN1451 BLACK ZN	
	6	9100002388	1	HEAD PERISTALTIC PUMP DETERG. SIP	
K1	7		2	SCR-TORX SELF THD M3X8 PLASTIC	
K1	8		2	TIE CABLE 2.9x130 BLACK	
	9	9100002402	1	BARB HOSE STRAIGHT D.5-D.4 PLAST. 2 PCS SET	
K1	10		5	CLAMP 6.6X 7	
K1	11		1	TIE CABLE 4.8x250 BLACK	
	12	55945040	1	BRACKET SENSOR SIP	
	13	55945041	1	CAP PLASTIC F CHEMICAL TANK	
	14	55943461	1	DETERGENT LEVEL SENSOR SIP	
	15	55945042	1	HOSE SILICONE D.4X7 - L=120MM 2PCS SET	
	16	56104189	1	INSERT-DRY BRAKE	
	17	56315523	1	CAP DRY BREAK 1/8 BARB	
	18*	55945043	1	ECOFLEX DETERGENT KIT SC550	
	19	9097023000	1	ADAPTER DETERGENT TANK	
	20	9097022000	1	SENSOR DETERGENT MIX LEVEL	
	21*	9098025000	1	ADAPTER DETERGENT KIT	
[K1]		55945044	1	HARDWARE ECOFLEX KIT	

SPLASH GUARD. MOP . TRASH . CADDY . SCREEN PROTECTOR



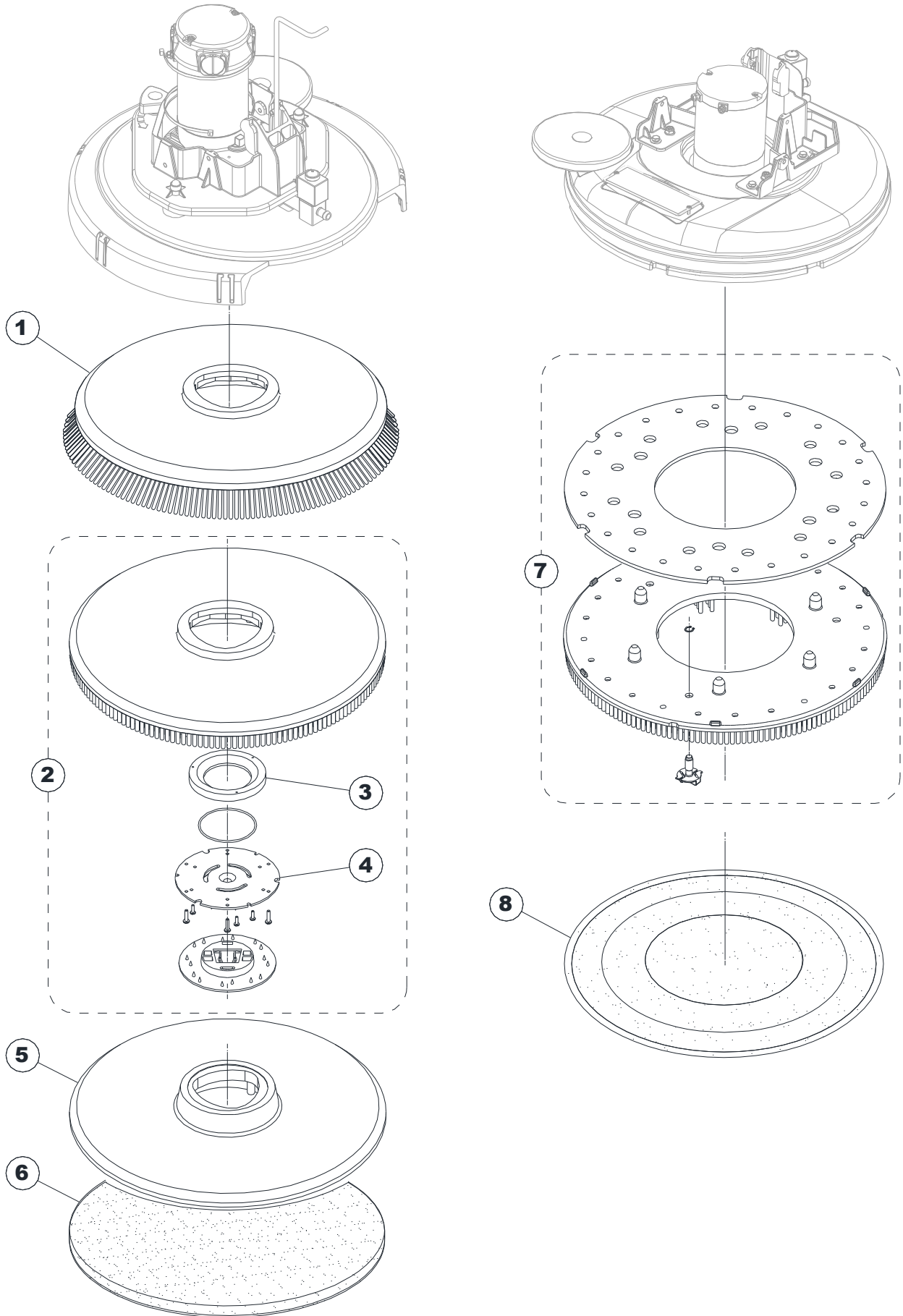
KIT	ITEM	REF. NO.	QTY	DESCRIPTION	NOTE
1*		9100001441	1	SPLASH GUARD 510MM 20 KIT	FOR SINGLE DISC VERSION
2*		55945045	1	SPLASH GUARD F DUAL DECK 24IN KIT	FOR DUAL DISC VERSION
3*		9100002280	1	MOP AND TRASH KIT	
4		9100001369	2	MOP KIT	
5*		55945046	1	CADDY KIT	
6*		55944552	1	SCREEN PROTECTOR	

CONNECTIVITY DEVICE AND FOB MODULE



KIT	ITEM	REF. NO.	QTY	DESCRIPTION	NOTE
	1*	55945047	1	FOB KIT	
	2	55945048	1	KEY FOB SIP	
	3*	55945049	1	CONNECTIVITY KIT TC1 SC550	

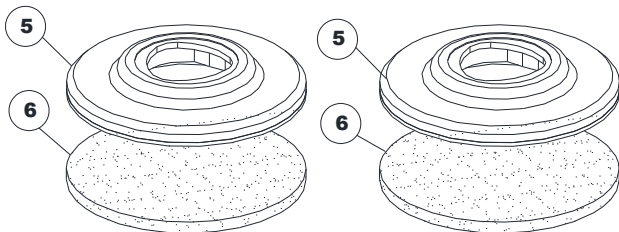
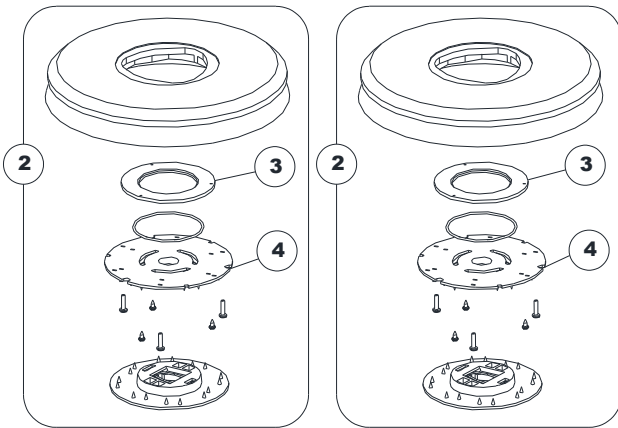
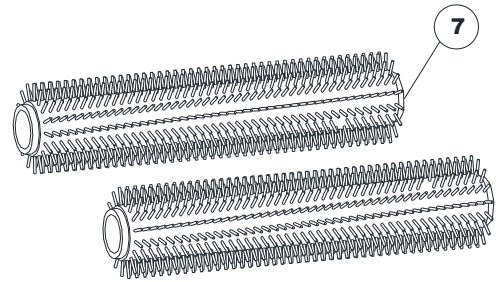
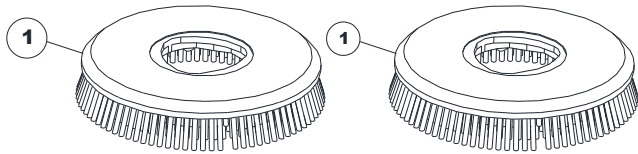
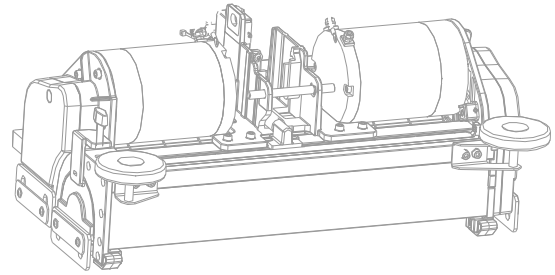
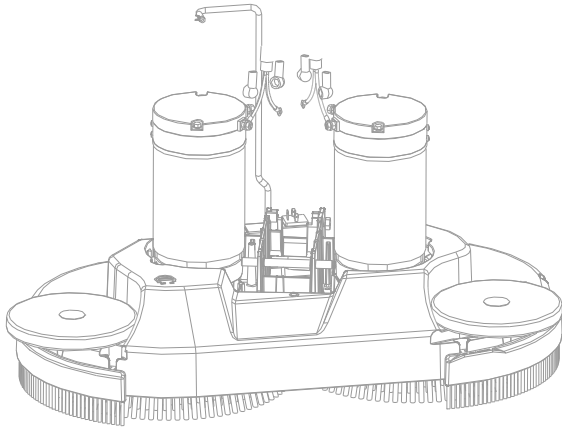
BRUSHES AND PAD (SINGLE DISC DECK AND REV DECK)



BRUSHES AND PAD (SINGLE DISC DECK AND REV DECK)

KIT	ITEM	REF. NO.	QTY	DESCRIPTION	NOTE
	1*	L08837025	1	BRUSH DISC 530MM 21 PROLENE	FOR SINGLE DISC VERSION
	1*	L08837026	1	BRUSH DISC 530MM 21 PROLITE	FOR SINGLE DISC VERSION
	1*	L08837027	1	BRUSH DISC 530MM 21 UNION MIX	FOR SINGLE DISC VERSION
	1*	L08837028	1	BRUSH DISC 530MM 21 MIDLITE GRIT 180	FOR SINGLE DISC VERSION
	1*	L08837029	1	BRUSH DISC 530MM 21 MID GRIT 240	FOR SINGLE DISC VERSION
	1*	L08837065	1	BRUSH DISC 530MM 21 MAGNA GRIT 46	FOR SINGLE DISC VERSION
	1*	L08837066	1	BRUSH DISC 530MM 21 DYNA GRIT 80	FOR SINGLE DISC VERSION
	1*	L08837067	1	BRUSH DISC 530MM 21 AGLITE GRIT 500	FOR SINGLE DISC VERSION
	2*	L08837018	1	PAD HOLDER 530MM	FOR SINGLE DISC VERSION
	3	L08603966	1	RING NYLON	FOR SINGLE DISC VERSION
	4	56505195	1	PAD RETAINER	FOR SINGLE DISC VERSION
	5*	9099671000	1	PAD HOLDER FLAT 20 508MM	FOR SINGLE DISC VERSION
	6*	10001955	1	PAD 20 508MM ECO BLACK 5PCS	FOR SINGLE DISC VERSION
	6*	10001956	1	PAD 20 508MM ECO BLUE 5PCS	FOR SINGLE DISC VERSION
	6*	10001957	1	PAD 20 508MM ECO BROWN 5PCS	FOR SINGLE DISC VERSION
	6*	10001958	1	PAD 20 508MM ECO GREEN 5PCS	FOR SINGLE DISC VERSION
	6*	10001959	1	PAD 20 508MM ECO RED 5PCS	FOR SINGLE DISC VERSION
	6*	10001960	1	PAD 20 508MM ECO WHITE 5PCS	FOR SINGLE DISC VERSION
	6*	10002348	1	PAD 20 508MM ECO BRILLIANCE RED 2PCS	FOR SINGLE DISC VERSION
	6*	10002349	1	PAD 20 508MM ECO BRILLIANCE BLUE 2PCS	FOR SINGLE DISC VERSION
	6*	10002350	1	PAD 20 508MM ECO BRILL. YELLOW 2PCS	FOR SINGLE DISC VERSION
	6*	10002351	1	PAD 20 508MM ECO BRILLIANCE GREEN 2PCS	FOR SINGLE DISC VERSION
	7*	56390008	1	BRUSH NYLON REV	FOR REV VERSION
	8*	56390079	1	MICROFIBER PAD	FOR REV VERSION

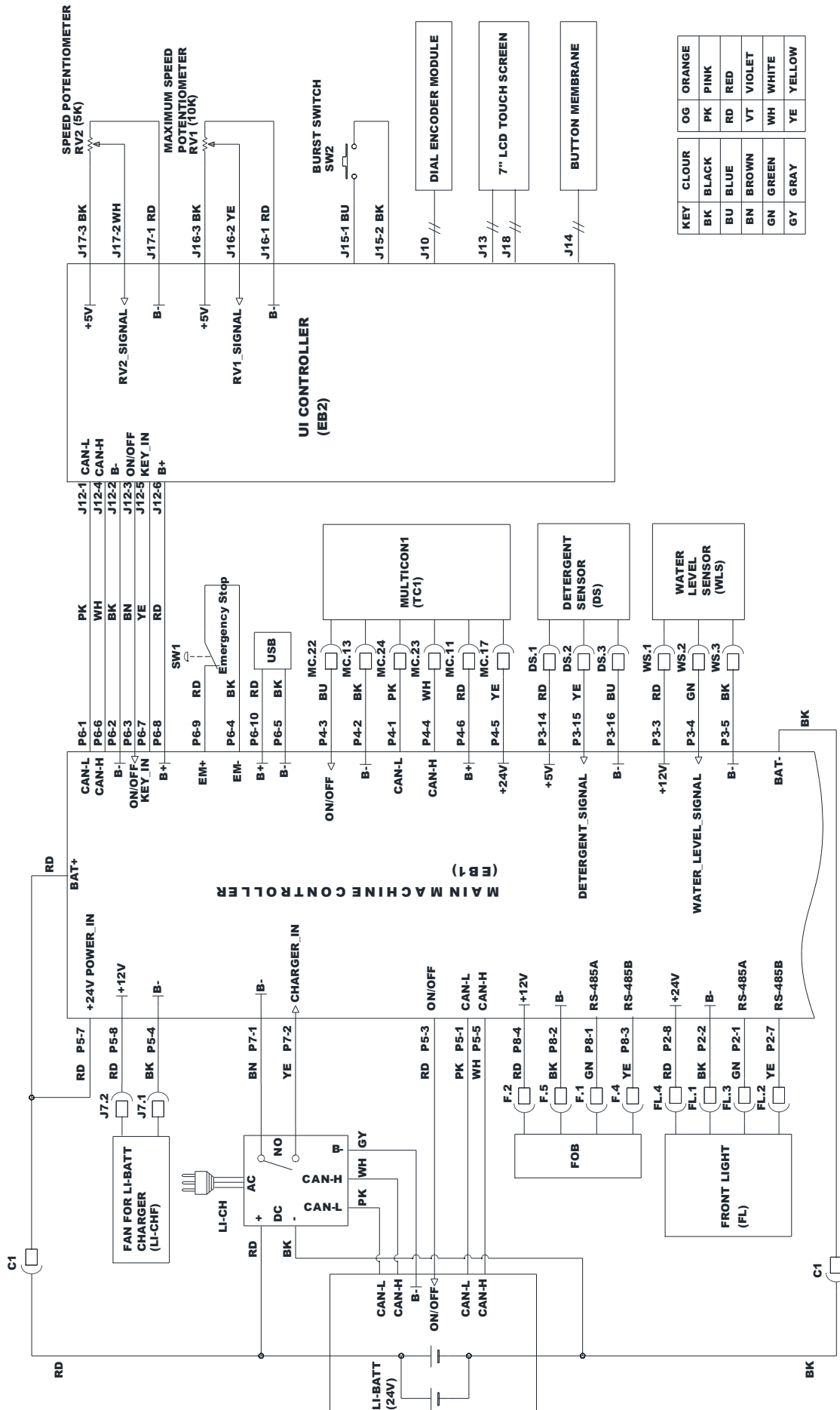
BRUSHES AND PAD (DUAL DISC DECK AND CYL DECK)



BRUSHES AND PAD (DUAL DISC DECK AND CYL DECK)

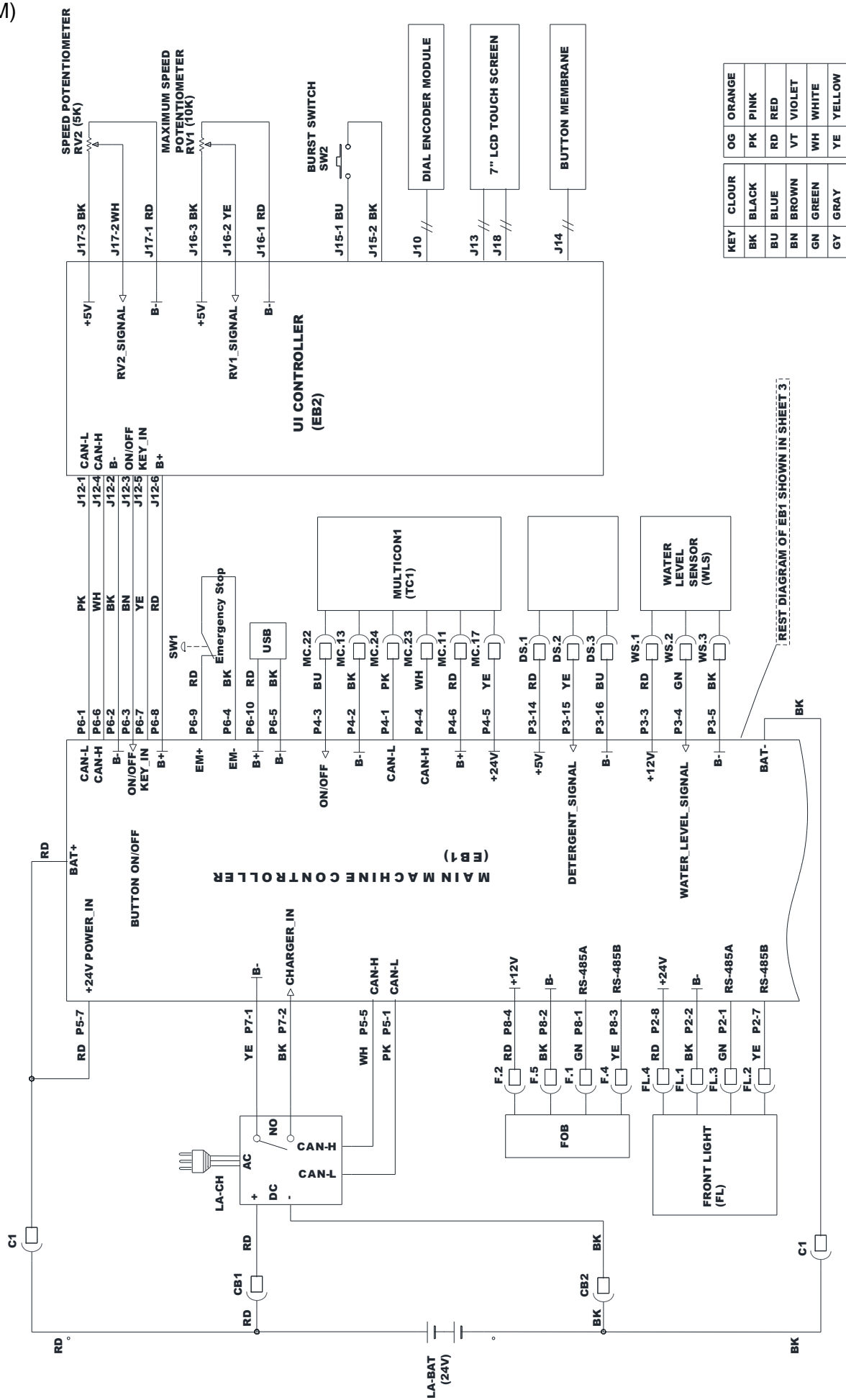
KIT	ITEM	REF. NO.	QTY	DESCRIPTION	NOTE
	1*	L08603842	2	BRUSH PROLENE	FOR DUAL DISC VERSION
	1*	L08603873	2	BRUSH MIDGRIT 240	FOR DUAL DISC VERSION
	1*	L08603872	2	BRUSH MIDLITE GRIT 180	FOR DUAL DISC VERSION
	1*	L08603874	2	BRUSH PROLITE	FOR DUAL DISC VERSION
	1*	L08603875	2	BRUSH UNION MIX	FOR DUAL DISC VERSION
	2*	L08603939	2	PAD HOLDER KIT	FOR DUAL DISC VERSION
	3	L08603936	2	RING NYLON	FOR DUAL DISC VERSION
	4	56505195	1	PAD RETAINER	FOR DUAL DISC VERSION
	5*	9099670000	2	PAD HOLDER FLAT 12 305MM	FOR DUAL DISC VERSION
	6*	10001908	2	PAD 12 305MM ECO RED 5PCS	FOR DUAL DISC VERSION
	7*	909 5823 000	2	BRUSH CYL 510MM 20 PROLITE RED	FOR CYLINDRICAL VERSION
	7*	909 5824 000	2	BRUSH CYL 510MM 20 SOFT NYLON BLUE	FOR CYLINDRICAL VERSION
	7*	909 5825 000	2	BRUSH CYL 510MM 20 GRIT 320 GREY	FOR CYLINDRICAL VERSION

WIRING DIAGRAM
(LI-ION SYSTEM)



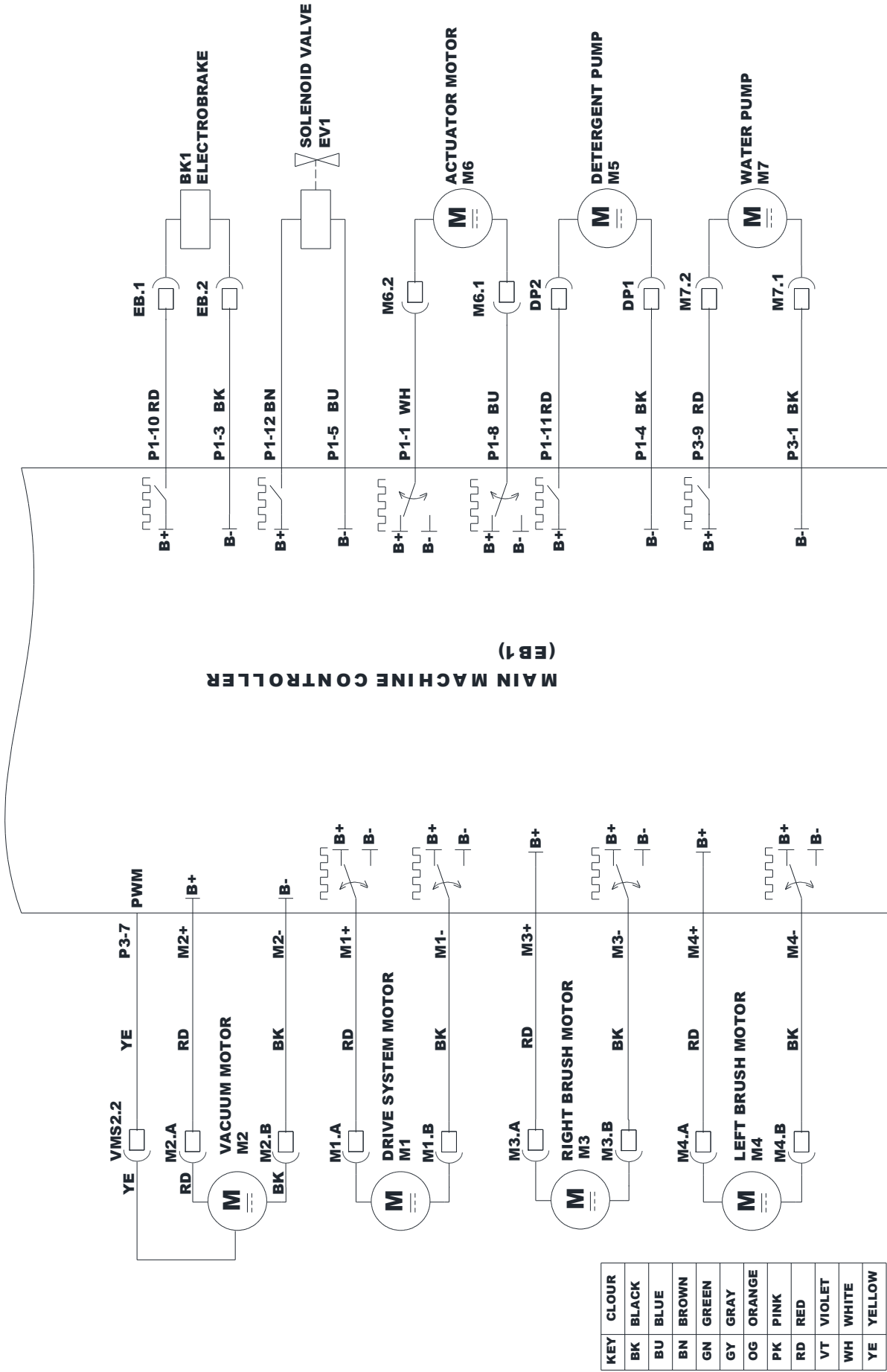
KEY	CLOUR	OG	ORANGE
BK	BLACK	PK	PINK
BU	BLUE	RD	RED
BN	BROWN	VT	VIOLET
GN	GREEN	WH	WHITE
GY	GRAY	YE	YELLOW

(LEAD SYSTEM)



REST DIAGRAM OF EB1 SHOWN IN SHEET 3.

(COMMON PART)



MAIN MACHINE CONTROLLER (FB 1)

KEY	CLOUR
BK	BLACK
BU	BLUE
BN	BROWN
GN	GREEN
GY	GRAY
OG	ORANGE
PK	PINK
RD	RED
VT	VIOLET
WH	WHITE
YE	YELLOW

WIRING DIAGRAM

KEY	REF. NO.	DESCRIPTION	NOTE
LI-BAT	55945450	LI-ION BATTERY (24V 50Ah) SIP	LI-ION BATTERY SYSTEM
LI-CH	55945459	LI-ION BATTERY CHARGER 24V 27.1A SIP	LI-ION BATTERY SYSTEM
LI-CHF	55945027	DC FAN SIP	LI-ION BATTERY SYSTEM
LA-BAT	/	LEAD BATTERY	LEAD BATTERY SYSTEM
LA-CH	/	LEAD BATTERY CHARGER 24V 15A SIP	LEAD BATTERY SYSTEM
FOB	55945047*	FOB KIT	
FL	55944925*	FRONT LIGHT W LASER SIP	
	55944926*	FRONT LIGHT SIP	
EB1	55945017	MAIN MACHINE CONTROLLER SIP	
EB2	55944963	UI MODUL SIP	UI CONTROLLER
TC1	55945049*	CONNECTIVITY KIT TC1 SC550	
DS	55943461*	DETERGENT LEVEL SENSOR SIP	
WLS	55944909	SENSOR WATER LEVEL SIP	
RV1	55944968	PADDLE F SPEED CONTROL DIAL KIT	SLIGHT SPEED POTENTIOMETER
RV2	910000837	POTENTIOMETER 5K SIP	SPEED POTENTIOMETER
SW1	55944966	SWITCH EMERGENCY KIT	
SW2	55944969	PADDLE F BURST OF POWER BUTTON KIT	BURST OF POWER BUTTON
	9100001860	MOTOR ELECTRIC 350W 24V SIP	FOR REV VERSION
	9100000874	REDUCTION GEARMOTOR 450W 24V SIP	FOR SINGLE DISC VERSION
	55944983	REDUCTION GEARMOTOR 450W 24V SIP	FOR DUAL DISC VERSION
M3	55945000	CYL MOTOR 24V 300W 1500RPM SIP	FOR CYL VERSION
	55944983	REDUCTION GEARMOTOR 450W 24V SIP	FOR DUAL DISC VERSION
M4	55945000	CYL MOTOR 24V 300W 1500RPM SIP	FOR CYL VERSION
	55944938	TRACTION MOTOR 24V 200W KIT	
M1	55944938	TRACTION MOTOR 24V 200W KIT	
M2	55944934	VACUUM MOTOR BLDC 24V 350W SIP	
M5	9100002398*	PUMP DETERG. MIX PERISTALTIC 24V SIP	
	55944945	ACTUATOR 24V 550N 105MM SIP	FOR DUAL DISC VERSION/CYL VERSION
	9100000805	ACTUATOR LINEAR 24V DC STRK 120MM SIP	FOR SINGLE DISC VERSION
M6	9100000806	ACTUATOR LINEAR 24V DC STRK 98MM SIP	FOR REV VERSION
	55944956	SOLUTION PUMP 24V 3.8L/MIN 40PSI SIP	
M7	55944956	SOLUTION PUMP 24V 3.8L/MIN 40PSI SIP	
EV1	9100000870	SOLENOID VALVE 24V SIP	
BK1	55944939	ELECTROMAGNETIC BRAKE SIP	
USB	55944967	USB PORT SIP	
DIAL ENCODER MODULE	55944963	UI MODUL SIP	
BUTTON MEMBRANE	55944963	UI MODUL SIP	
7" LCD TOUCH SCREEN	55944963	UI MODUL SIP	

KEY	COLOR
BK	BLACK
BU	BLUE
BN	BROWN
GN	GREEN
GY	GRAY
OG	ORANGE

KEY	COLOR
PK	PINK
RD	RED
VT	VIOLET
WH	WHITE
YE	YELLOW

RECOMMENDED PARTS

REF. NO.	QTY	DESCRIPTION	NOTE
NORMAL WEAR			
9100000829	1	BAND ELASTIC F EXTENSION CABLE SIP	
9100000810	1	BLADE SQUEEGEE 730MM 29 GUM KIT	FOR 29 INCH SQUEEGEE SYSTEM
9100000490	1	BLADE SQUEEGEE 730MM 29 PU KIT	FOR 29 INCH SQUEEGEE SYSTEM
9100000060	1	BLADE SQUEEGEE 730MM 29 RED GUM KIT	FOR 29 INCH SQUEEGEE SYSTEM
55944456	1	BLADE SQUEEGEE 730MM 29 LINATEX KIT	FOR 29 INCH SQUEEGEE SYSTEM
55941295	1	BLADE SQUEEGEE 810MM 32 GUM KIT	FOR 32 INCH SQUEEGEE SYSTEM
55941296	1	BLADE SQUEEGEE 810MM 32 PU KIT	FOR 32 INCH SQUEEGEE SYSTEM
55941297	1	BLADE SQUEEGEE 810MM 32 RED GUM KIT	FOR 32 INCH SQUEEGEE SYSTEM
55944455	1	BLADE SQUEEGEE 810MM 32 LINATEX KIT	FOR 32 INCH SQUEEGEE SYSTEM
55945055	1	GUARD SPLASH CYL SIP	FOR CYL DECK
55944940	1	CARBON BRUSHES KIT 4 PCS	FOR DRIVER MOTOR
9098376000	1	CARBON BRUSHES KIT 4 PCS	FOR SINGLE DISC MOTOR
9100001283	1	CARBON BRUSHES W/HOLDER SIP	FOR REV MOTOR
L08603949	1	CARBON BRUSHES SET 4 PCS	FOR REV MOTOR
55944985	2	CARBON BRUSHES KIT 4 PCS	FOR DUAL DISC AND CYL MOTOR
ORDINARY MAINTENANCE			
55944992	1	FRONT AND REAR GUIDE-WEAR	
909 5820 000	2	BELT POLY-V 11J03818	
55945023	1	CABLE SAFETY F TANK KIT	
55944932	1	HOSE DRAIN BLACK SIP	
9100000889	1	CLIP HOSE STOPPING 2 PCS SET	
55944931	1	HOSE SUCTION SQUEEGEE 90 BLACK SIP	
55944930	1	MOTOR VACUUM KIT	
9100000819	1	GASKET BULB RUBBER L.1670MM SIP	
55944934	1	VACUUM MOTOR BLDC 24V 350W SIP	
55944936	1	GASKETS AND HARDWARE KIT	
55944938	1	TRACTION MOTOR 24V 200W KIT	
9100002455	2	WHEEL TRACTION D.200X50 BLACK/GREY SIP	
9100000902	2	BEARING FLANGE IGLIDUR 2 PCS SET	
9100000856	1	WHEEL PIVOTING 2 PCS SET	
9100002396	1	SLEEVE RUBBER BLACK F SUCTION HOSE SIP	
9100000903	1	WASHER THRUST GTM 3254-015 SIP	
55944955	1	HOSES SOLUTION KIT	
9100000861	1	NET WATER FILTER REINFORCED SIP	
9100000559	3	WHEEL D.51 GREY SIP	
9100000864	1	STRAP ELASTIC F REAR SQUEEGEE BL. SIP	FOR 29 INCH SQUEEGEE SYSTEM
55944980	1	STRAP F REAR SQUEEGEE BLADE SIP	FOR 32 INCH SQUEEGEE SYSTEM
9100000865	1	STRAP FRONT SQUEEGEE BLADE SIP	FOR 29 INCH SQUEEGEE SYSTEM
55944978	1	STRAP F FRONT SQUEEGEE BLADE SIP	FOR 32 INCH SQUEEGEE SYSTEM
9100001816	1	WHEEL BUMPER D.100 PLASTIC 2 PCS SET	
9100000797	1	HOSES BRUSH DECK KIT	FOR SINGLE DISC VERSION
9100000870	1	SOLENOID VALVE 24V SIP	
9100000871	1	HUB BRUSH SIP	
9100000874	1	REDUCTION GEARMOTOR 450W 24V SIP	FOR SINGLE DISC VERSION
9100001860	1	MOTOR ELECTRIC 350W 24V SIP	FOR REV VERSION
55944983	2	REDUCTION GEAR MOTOR 450W 24V SIP	FOR DUAL DISC VERSION
55945000	2	CYL MOTOR 24V 300W 1500RPM SIP	FOR CYL VERSION
55944913	1	GASKETS COVER KIT	FOR CHARGER
9100000798	1	GASKETS COVER KIT	FOR CONTROL
EXTRA ORDINARY MAINTENANCE			
9100000803	1	VALVE ELBOW SIP	
55944908	1	HOSE FRESH WATER LEV. W/CAP KIT	
909 6380 000	1	CLAMP KIT	
55944920	1	COVER INLET KIT	
9100000805	1	ACTUATOR LINEAR 24V DC STRK 120MM SIP	FOR SINGLE DISC VERSION
9100000806	1	ACTUATOR LINEAR 24V DC STRK 98MM SIP	FOR REV VERSION
55944945	1	ACTUATOR 24V 550N 105MM SIP	FOR DUAL DISC AND CYL VERSION
55944917	1	HOSE FILLING SIP	
55944935	1	HARNES VACUUM MOTOR SIP	

RECOMMENDED PARTS

REF. NO.	QTY	DESCRIPTION	NOTE
9100001875	1	SUPPORT FLOAT KIT	
9100000837	1	POTENTIOMETER 5K SIP	
55944968	1	PADDLE F SPEED CONTROL DIAL KIT	
55944969	1	PADDLE F BURST OF POWER BUTTON KIT	
55944963	1	UI MODUL SIP	
55945018	1	HARNES UI BOARD CONNECTION SIP	
55944960	1	FILTER KIT	
9100000747	1	SQUEEGEE 730MM/29 PRE-ASSEMBLED SIP	FOR 29 INCH SQUEEGEE SYSTEM
55944979	1	SQUEEGEE 810MM/32 PRE-ASSEMBLED SIP	FOR 32 INCH SQUEEGEE SYSTEM
9100000868	1	VIBRATION DAMPING M8 60SH 2 PCS SET	FOR SINGLE DISC VERSION
56382991	1	KIT-ISOLATOR BOOST HD	FOR REV VERSION
9100000873	1	DECK BRUSH SIP	FOR SINGLE DISC VERSION
55945017	1	MAIN MACHINE CONTROLLER SIP	
55945019	1	HARNES MAIN CONNECTION SIP	FOR DUAL DISC AND CYL
55945020	1	HARNES MAIN SINGLE N REV SIP	FOR SINGLE DISC AND REV
55945027	1	DC FAN SIP	
55945459	1	CHARGER 24V 27A SIP	
55944956	1	SOLUTION PUMP 24V 3.8L/MIN 40PSI SIP	
9100002398	1	PUMP DETERG. MIX PERISTALTIC 24V SIP	
55943461	1	DETERGENT LEVEL SENSOR SIP	
55944909	1	SENSOR WATER LEVEL SIP	
55944939	1	ELECTROMAGNETIC BRAKE SIP	FOR DRIVER MOTOR
55944937	1	COVER WHEEL 2 PCS SET	
55944966	1	SWITCH EMERGENCY KIT	
55944967	1	USB PORT SIP	
55945005	1	RUBBER WATER CHANNEL COVER SIP	
55944933	1	TRAY DEBRIS KIT	
55944922	1	RUBBER FRONT PANEL SIP	
		ACCESSORIES/OPTIONAL	
55944915	1	STANDARD FILLING KIT	
55944918	1	ADVANCED FILLING KIT	
55944917	1	HOSE FILLING SIP	
55945047	1	FOB KIT	
55945048	1	KEY FOB SIP	
55945049	1	CONNECTIVITY KIT TC1 SC550	
909 5065 000	1	FILTER ANTIFOAMING	
55944925	1	FRONT LIGHT W LASER KIT	
55944926	1	FRONT LIGHT KIT	
55944976	1	SQUEEGEE 730MM/29 KIT	WITH GUM BLADE
55945119	1	SQUEEGEE 730MM/29 LN KIT	WITH LINATEX BLADE
55944981	1	SQUEEGEE 810MM/32 KIT	WITH GUM BLADE
55945118	1	SQUEEGEE 810MM/32 LN KIT	WITH LINATEX BLADE
9100000810	1	BLADE SQUEEGEE 730MM 29 GUM KIT	FOR 29 INCH SQUEEGEE SYSTEM
9100000490	1	BLADE SQUEEGEE 730MM 29 PU KIT	FOR 29 INCH SQUEEGEE SYSTEM
9100000060	1	BLADE SQUEEGEE 730MM 29 RED GUM KIT	FOR 29 INCH SQUEEGEE SYSTEM
55944456	1	BLADE SQUEEGEE 730MM 29 LINATEX KIT	FOR 29 INCH SQUEEGEE SYSTEM
55941295	1	BLADE SQUEEGEE 810MM 32 GUM KIT	FOR 32 INCH SQUEEGEE SYSTEM
55941296	1	BLADE SQUEEGEE 810MM 32 PU KIT	FOR 32 INCH SQUEEGEE SYSTEM
55941297	1	BLADE SQUEEGEE 810MM 32 RED GUM KIT	FOR 32 INCH SQUEEGEE SYSTEM
55944455	1	BLADE SQUEEGEE 810MM 32 LINATEX KIT	FOR 32 INCH SQUEEGEE SYSTEM
55945043	1	ECOFLEX DETERGENT KIT SC550	
9098025000	1	ADAPTER DETERGENT KIT	
9100001441	1	SPLASH GUARD 510MM 20 KIT	FOR SINGLE DISC VERSION
55945045	1	SPLASH GUARD F DUAL DECK 24IN KIT	FOR DUAL DISC VERSION
9100002280	1	MOP AND TRASH KIT	
55945046	1	CADDY KIT	
55944552	1	SCREEN PROTECTOR	
55945033	1	BATTERY FIX AND HARNES KIT (24V 64Ah)	KIT DOES NOT INCLUDES BATTERY
9100003110	1	LITHIUM ION EXPANSION KIT (24V 64Ah)	KIT INCLUDES 1 BATTERY
55945037	1	BATTERY FIX AND HARNES KIT (24V 50Ah)	KIT DOES NOT INCLUDES BATTERY
55945038	1	LITHIUM ION EXPANSION KIT	KIT INCLUDES 1 BATTERY

RECOMMENDED PARTS

REF. NO.	QTY	DESCRIPTION	NOTE
L08837025	1	BRUSH DISC 530MM 21 PROLENE	FOR SINGLE DISC VERSION
L08837026	1	BRUSH DISC 530MM 21 PROLITE	FOR SINGLE DISC VERSION
L08837027	1	BRUSH DISC 530MM 21 UNION MIX	FOR SINGLE DISC VERSION
L08837028	1	BRUSH DISC 530MM 21 MIDLITE GRIT 180	FOR SINGLE DISC VERSION
L08837029	1	BRUSH DISC 530MM 21 MID GRIT 240	FOR SINGLE DISC VERSION
L08837065	1	BRUSH DISC 530MM 21 MAGNA GRIT 46	FOR SINGLE DISC VERSION
L08837066	1	BRUSH DISC 530MM 21 DYNA GRIT 80	FOR SINGLE DISC VERSION
L08837067	1	BRUSH DISC 530MM 21 AGLITE GRIT 500	FOR SINGLE DISC VERSION
L08837018	1	PAD HOLDER 530MM	FOR SINGLE DISC VERSION
9099671000	1	PAD HOLDER FLAT 20 508MM	FOR SINGLE DISC VERSION
10001955	1	PAD 20 508MM ECO BLACK 5PCS	FOR SINGLE DISC VERSION
10001956	1	PAD 20 508MM ECO BLUE 5PCS	FOR SINGLE DISC VERSION
10001957	1	PAD 20 508MM ECO BROWN 5PCS	FOR SINGLE DISC VERSION
10001958	1	PAD 20 508MM ECO GREEN 5PCS	FOR SINGLE DISC VERSION
10001959	1	PAD 20 508MM ECO RED 5PCS	FOR SINGLE DISC VERSION
10001960	1	PAD 20 508MM ECO WHITE 5PCS	FOR SINGLE DISC VERSION
10002348	1	PAD 20 508MM ECO BRILLIANCE RED 2PCS	FOR SINGLE DISC VERSION
10002349	1	PAD 20 508MM ECO BRILLIANCE BLUE 2PCS	FOR SINGLE DISC VERSION
10002350	1	PAD 20 508MM ECO BRILL. YELLOW 2PCS	FOR SINGLE DISC VERSION
10002351	1	PAD 20 508MM ECO BRILLIANCE GREEN 2PCS	FOR SINGLE DISC VERSION
56390008	1	BRUSH NYLON REV	FOR REV VERSION
56390079	1	MICROFIBER PAD	FOR REV VERSION
L08603842	2	BRUSH PROLENE	FOR DUAL DISC VERSION
L08603873	2	BRUSH MIDGRIT 240	FOR DUAL DISC VERSION
L08603872	2	BRUSH MIDLITE GRIT 180	FOR DUAL DISC VERSION
L08603874	2	BRUSH PROLITE	FOR DUAL DISC VERSION
L08603875	2	BRUSH UNION MIX	FOR DUAL DISC VERSION
L08603939	2	PAD HOLDER KIT	FOR DUAL DISC VERSION
9099670000	2	PAD HOLDER FLAT 12 305MM	FOR DUAL DISC VERSION
10001908	2	PAD 12 305MM ECO RED 5PCS	FOR DUAL DISC VERSION
909 5823 000	2	BRUSH CYL 510MM 20 PROLITE RED	FOR CYLINDRICAL VERSION
909 5824 000	2	BRUSH CYL 510MM 20 SOFT NYLON BLUE	FOR CYLINDRICAL VERSION
909 5825 000	2	BRUSH CYL 510MM 20 GRIT 320 GREY	FOR CYLINDRICAL VERSION
9100000787	1	CABLE EXTENSION EU PLUG L.2000 SIP	FOR EU/UK MACHINE
1466318000	1	CABLE EXTENSION UK PLUG L.2000MM SIP	FOR EU/UK MACHINE
9100000890	1	CABLE EXTENSION US PLUG L.2000MM SIP	FOR US MACHINE

HEAD QUARTER

DENMARK

Nilfisk A/S
Tel.: (+45) 4323 8100
www.nilfisk.com

SALES COMPANIES

ARGENTINA

Nilfisk Argentina
Tel.: (+54) 11 6091 1576
www.nilfisk.com.ar

AUSTRALIA

Nilfisk Pty Ltd
Tel.: (+61) 2 98348100
www.nilfisk.com.au

AUSTRIA

Nilfisk GmbH
Tel.: (+43) 662 456 400 90
www.nilfisk.at

BELGIUM

Nilfisk n.v-s.a.
Tel.: (+32) 24 67 60 50
www.nilfisk.be

BRAZIL

Nilfisk do Brasil
Tel.: (+11) 3959-0300 / 3945-4744
www.nilfisk.com.br

CANADA

Nilfisk Canada Company
Tel.: (+1) 800-668-8400
www.nilfisk.ca

CHILE

Nilfisk S.A. (Comercial KCS Ltda)
Tel.: (+56) 2684 5000
www.nilfisk.cl

CHINA

Nilfisk
Tel.: (+86) 21 3323 2000
www.nilfisk.cn

CZECH REPUBLIC

Nilfisk s.r.o.
Tel.: (+420) 244 090 912
www.nilfisk.cz

DENMARK

Nilfisk Danmark A/S
Tel.: 72 18 21 20
www.nilfisk.dk

FINLAND

Nilfisk Oy Ab
Tel.: (+358) 207 890 600
www.nilfisk.fi

FRANCE

Nilfisk SAS
Tel.: (+33) 169 59 87 00
www.nilfisk.fr

GERMANY

Nilfisk GmbH
Tel.: (+49) (0)7306/72-444
www.nilfisk.de

GREECE

Nilfisk A.E.
Tel.: (30) 210 9119 600
www.nilfisk.gr

HOLLAND

Nilfisk B.V.
Tel.: (+31) 036 5460760
www.nilfisk.nl

HONG KONG

Nilfisk Ltd.
Tel.: (+852) 2427 5951
www.nilfisk.com

HUNGARY

Nilfisk Kft.
Tel.: (+36) 24 475 550
www.nilfisk.hu

INDIA

Nilfisk India Limited
Tel.: (+91) 22 6118 8188
www.nilfisk.in

IRELAND

Nilfisk
Tel.: (+35) 3 12 94 38 38
www.nilfisk.ie

ITALY

Nilfisk SpA
Tel.: (+39) (0) 377 414021
www.nilfisk.it

JAPAN

Nilfisk Inc.
Tel.: (+81) 45548 2571
www.nilfisk.com

MALAYSIA

Nilfisk Sdn Bhd
Tel.: (60) 3603 627 43 120
www.nilfisk.com

MEXICO

Nilfisk de Mexico, S. de R.L. de C.V.
Tel.: (+52) (442) 427 77 00
www.nilfisk.com

NEW ZEALAND

Nilfisk Limited
Tel.: (+64) 9 414 1996
www.nilfisk.com

NORWAY

Nilfisk AS
Tel.: (+47) 22 75 17 80
www.nilfisk.no

PERU

Nilfisk S.A.C.
Tel.: (511) 435-6840
www.nilfisk.com

POLAND

Nilfisk Sp. Z.O.O.
Tel.: (+48) 22 738 3750
www.nilfisk.pl

PORTUGAL

Nilfisk Lda.
Tel.: (+351) 21 911 2670
www.nilfisk.pt

SINGAPORE

Den-Sin
Tel.: (+65) 6268 1006
www.densin.com

SLOVAKIA

Nilfisk s.r.o.
Tel.: (+421) 910 222 928
www.nilfisk.sk

SOUTH AFRICA

Nilfisk (Pty) Ltd
Tel.: +271 18014600
www.nilfisk.co.za

SOUTH KOREA

Nilfisk Korea
Tel.: (+ 82) 2 3474 4141
www.nilfisk.co.kr

SPAIN

Nilfisk S.A.
Tel.: (34) 93 741 2400
www.nilfisk.es

SWEDEN

Nilfisk AB
Tel.: (+46) 31 706 73 00
www.nilfisk.se

SWITZERLAND

Nilfisk AG
Tel.: (+41) 71 92 38 444
www.nilfisk.ch

TAIWAN

Nilfisk Ltd
Tel.: (+88) 6227 00 22 68
www.nilfisk.tw

THAILAND

Nilfisk Co. Ltd.
Tel.: (+66) 2275 5630
www.nilfisk.co.th

TURKEY

Nilfisk A.S.
Tel.: +90 216 466 94 94
www.nilfisk.com.tr

UNITED ARAB EMIRATES

Nilfisk Middle East Branch
Tel.: (+971) (0) 655-78813
www.nilfisk.com

UNITED KINGDOM

Nilfisk Ltd.
Tel.: (+44) (0) 1768 868995
www.nilfisk.co.uk

UNITED STATES

Nilfisk, Inc.
Tel.: (+1) 800-989-2235
www.nilfisk.com

VIETNAM

Nilfisk Vietnam
Tel.: (+84) 761 5642
www.nilfisk.com

NILFISK